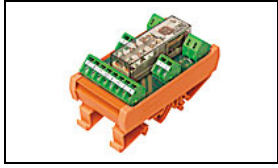


9-1415536-1 Product Details



9-1415536-1
(SR2ZY024)

TE Internal Number: 9-1415536-1



Force Guided Contact Relays

 Always EU RoHS/ELV Compliant (Statement of Compliance)

Product Highlights:

- SR2Z Series
- Contact - Rated Current = 6 A
- Terminal Type = Screwless Clamp Connectors
- Contact - Arrangement = 2 Form C (CO)
- Contact - Limiting Continuous Current = 6 A

Documentation & Additional Information

Product Drawings:

- None Available

Catalog Pages/Data Sheets:

- [Safety Relay Module SR2Z](#) (PDF, English)

Product Specifications:

- None Available

Application Specifications:

- None Available

Instruction Sheets:

- None Available

CAD Files: ([CAD Format & Compression Information](#))

- [2D Drawing](#) (DXF, Version A)
- [3D Model](#) (IGES, Version A)
- [3D Model](#) (STEP, Version A)

Additional Information:

- [Product Line Information](#)

Related Products:

- [Tooling](#)

Product Features (Please use the Product Drawing for all design activity)

Product Type Features:

- Series = SR2Z
- Terminal Type = Screwless Clamp Connectors

Electrical Characteristics:

- Contact - Rated Current (A) = 6
- Contact - Limiting Continuous Current (A) = 6
- Contact - Limiting Making Current (A) = 6
- Contact - Limiting Breaking Current (A) = 6
- Insulation - Initial Dielectric Between Open Contacts (V rms) = 1500
- Insulation - Initial Dielectric Between Contacts and Coil (V rms) = 4000
- Contact - Switching Voltage Max. (VAC) = 250
- Contact - Limiting Short-Time Current (A) = 6
- Coil - Rated Voltage (VDC) = 24
- Coil - Rated Power, DC (mW) = 700
- Coil - Rated Power Class = 600mW to 800mW Class
- Insulation - Initial Dielectric Between Adjacent Contacts (V rms) = 2000
- Insulation - Clearance Class = 5mm to 8mm Class
- Insulation - Creepage Class = 5.5mm to 8mm Class

Dimensions:

- Length (mm [in]) = 87.00 [3.425]
- Width (mm [in]) = 20.00 [0.787]
- Height (mm [in]) = 64.00 [2.520]
- Insulation - Clearance Between Contact and Coil (mm [in]) = 8 [0.315]
- Insulation - Creepage Between Contact and Coil (mm [in]) = 8 [0.315]

Body Features:

- Mount Type = DIN Rail
- Weight (g [oz]) = 50.00 [1.765]

Contact Features:

- Contact Material = AgNi
- Contact - Number of Poles = 2
- Contact - Special Features = Force Guided Contacts

Configuration Features:

- [Contact - Arrangement](#) = 2 Form C (CO)
- [Coil - Magnetic System](#) = Monostable, DC
- Coil - Special Features = Electrical Indicator, LED

Industry Standards:

- [RoHS/ELV Compliance](#) = RoHS compliant, ELV compliant
- [Lead Free Solder Processes](#) = Not relevant for lead free process
- RoHS/ELV Compliance History = Always was RoHS compliant
- Approved/Registered Standards = CE

Environmental:

- Environmental - Ambient Temperature, Max. (°C [°F]) = 50 [122]
- Environmental - Ambient Temperature Class = 0 to 50°C Class

Packaging Features:

- Packaging Method = Box

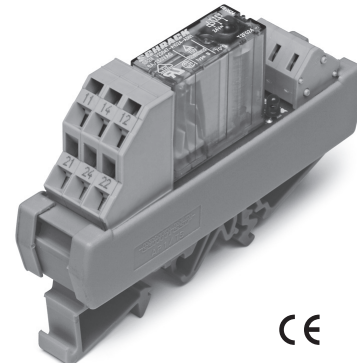
Other:

- Brand = Schrack

Force Guided Relay on DIN-rail SR2 Z

- 2 pole relay with force guided contacts according to EN50205
- DIN rail mounting

Typical applications
contact monitoring in railway, elevator and machine controls



Approvals

Relay SR2M: VDE, UL, TUV, CQC
Module SR2Z: CE
Technical data of approved types on request

Contact Data

Contact arrangement	2 form C (CO) contacts
According to EN50205 only 1NO / 1NC (11-14 and 22-21 or 12-11 and 21-24) shall be used as force guided contacts.	
Rated voltage	250VAC
Max. switching voltage	250VAC
Rated current	6A
Contact material	AgNi
Contact style	single contact, force guided
1 form A + B, 1 NO + 1NC	type A according to EN 50205
2 form C, 2CO	type B according to EN 50205
Min. recommended contact load	5V/10mA
Initial contact resistance	≤100mΩ at 1A, 24VDC ≤20Ω at 10mA, 5VDC
Frequency of operation, with/without load	6/300min ⁻¹
Contact ratings, IEC60947-5-1, on 1 form A (NO) contact	AC15-3A DC13-6A
Mechanical endurance	10x10 ⁶ operations

Coil Data

Coil voltage range	24VDC
Operative range, % of rated coil voltage	90 to 110% of U _{rt}
Release voltage (+23°C)	10% of U _{rt}
Limiting voltage, % of rated coil voltage	110%
Max. coil power	700mW
Input circuit	LED

Insulation Data

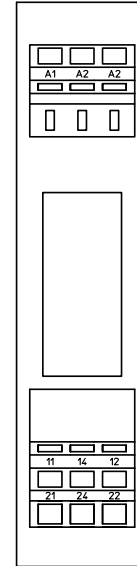
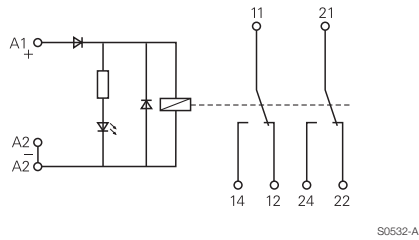
Initial dielectric strength	
between open contacts	1500V _{rms}
between contact and coil	4000V _{rms}
between adjacent contacts	2000V _{rms}
Clearance/creepage	
between open contacts	microdisconnection
between contact and coil	≥8/8mm
between adjacent contacts	≥1/1mm
Insulation to EN 50178, type of insulation	
between contact and coil	reinforced
between adjacent contacts	basic

Other Data

Material compliance: EU RoHS/ELV, China RoHS, REACH, Halogen content refer to the Product Compliance Support Center at www.te.com/customer-support/rohssupportcenter	
Ambient temperature range	
for mounting/handling	0 to 40°C
in operation	-25 to 50°C
Terminal type	screwless clamp connectors
Wire cross section	
solid wire	2.5mm ²
stranded wire	2.5mm ²
stranded wire with bootlace crimp	1.5mm ²
Mounting position	any
Weight	50g
Packaging unit	2

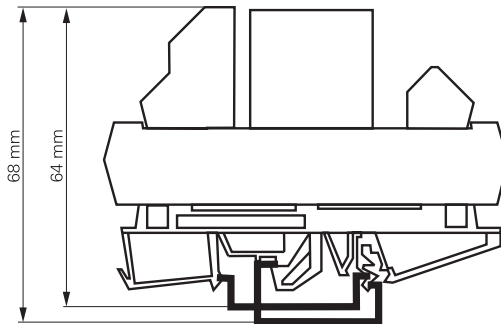
Force Guided Relay on DIN-rail SR2 Z (Continued)

Terminal assignment



Dimensions

Module width 20 mm
Module length 87 mm



S0533-A

Fit onto mounting rails according to
DIN EN 60175

Product code structure

Typical product code **SR2Z** **Y** **024**

Type

SR2Z Relay with force guided contacts on DIN-rail SR2 Z

Contact configuration

Y 2 form C (CO) contacts

Coil

DC Coil code = rated coil voltage (e.g. 024=24 VDC)

Other types on request

Product code	Type	Contact configuration	Coil	Part number
SR2ZY024	2-pole module	2 form C (CO) contacts	24VDC	9-1415536-1