

## 1887113-3 Product Details



**1887113-3**  
(XT374R24)

TE Internal Number: 1887113-3

 Active

### Industrial Relays (General Purpose)

 Always EU RoHS/ELV Compliant (Statement of Compliance)

#### Product Highlights:

- XT Series
- Contact - Current Class = 10A to 20A Class, Greater Than 16A
- Contact - Rated Current = 16 A
- Terminal Type = Plug-in
- Contact - Arrangement = 1 Form C (CO)

### Documentation & Additional Information

#### Product Drawings:

- None Available

#### Catalog Pages/Data Sheets:

- [Interface Plug-in Relay XT](#) (PDF, English)

#### Product Specifications:

- None Available

#### Application Specifications:

- None Available

#### Instruction Sheets:

- None Available

#### CAD Files: (CAD Format & Compression Information)

- [2D Drawing](#) (DXF, Version SHK1)
- [3D Model](#) (IGES, Version SHK1)
- [3D Model](#) (STEP, Version SHK1)

#### Additional Information:

- [Product Line Information](#)

#### Related Products:

- [Tooling](#)

### Product Features (Please use the Product Drawing for all design activity)

#### Product Type Features:

- Series = XT
- Terminal Type = Plug-in

#### Electrical Characteristics:

- Contact - Current Class = 10A to 20A Class, Greater Than 16A
- [Contact - Rated Current \(A\)](#) = 16
- Contact - Limiting Continuous Current (A) = 16
- Contact - Limiting Making Current (A) = 30
- Contact - Limiting Breaking Current (A) = 16
- Insulation - Initial Dielectric Between Coil/Contact Class = >4000V Class
- Insulation - Initial Dielectric Between Open Contacts (V rms) = 1000
- Insulation - Initial Dielectric Between Contacts and Coil (V rms) = 5000
- Contact - Rated Voltage (VAC) = 240
- Contact - Rated Voltage (VDC) = 400
- Contact - Limiting Short-Time Current (A) = 300
- Contact - Switching Recommended Load, Min. = 10mA at 12V
- Coil - Rated Voltage (VAC) = 24
- [Coil - Resistance \(Ω\)](#) = 350
- [Coil - Rated Power, AC \(VA\)](#) = 1.00
- Coil - Rated Power Class = 0.5VAW to 1.0VA Class
- Insulation - Creepage Class = 5.5mm to 8mm Class
- Insulation - Clearance Class = 5mm to 8mm Class
- Insulation - Special Features = 5000V Initial Surge Withstand Voltage between Contacts and Coil, Tracking Index of Relay Base PTT175

#### Dimensions:

- Mechanical - Length Class = 25mm to 30mm Class
- Length (mm [in]) = 29.00 [1.142]
- Mechanical - Width Class = 12mm to 16mm Class

#### Body Features:

- Mount Type = Socket
- Weight (g [oz]) = 16.00 [0.565]

#### Contact Features:

- Contact Material = AgNi90/10
- Contact - Number of Poles = 1

#### Configuration Features:

- [Contact - Arrangement](#) = 1 Form C (CO)
- [Coil - Magnetic System](#) = Monostable, AC
- Coil - Special Features = Electrical Indicator, LED, UL Coil Insulation Class F

#### Industry Standards:

- [RoHS/ELV Compliance](#) = RoHS compliant, ELV compliant
- [Lead Free Solder Processes](#) = Not relevant for lead free process
- RoHS/ELV Compliance History = Always was RoHS compliant
- Approved/Registered Standards = cULus, LLOYDs, VDE

#### Environmental:

- Environmental - Category of Protection = RTII
- Environmental - Ambient Temperature, Max. (°C [°F]) = 70 [158]
- Environmental - Ambient Temperature Class = 50°C to 70°C Class

#### Packaging Features:

- Packaging Method = Tube

#### Other:

- Brand = Schrack
- Accessories/Socket Type = DIN-rail Socket
- Additional Features = Manual Operation, Mechanical Indicator

- Width (mm [in]) = 13.00 [0.512]
- Mechanical - Height Class = 25mm to 30mm Class
- Height (mm [in]) = 26.70 [1.051]
- Insulation - Clearance Between Contact and Coil (mm [in]) = 8 [0.315]
- Insulation - Creepage Between Contact and Coil (mm [in]) = 8 [0.315]



**Interface Plug-in Relay XT** (Continued)

**Coil Data (continued)**

**Coil versions, AC coil**

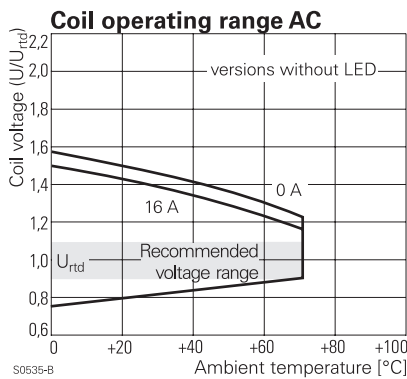
Coil code	Rated voltage	Operate voltage	Release voltage	Coil resistance	Rated coil power	
STD	LED	VAC	50/60Hz VAC	50/60Hz VAC	50/60Hz VA <sup>5)</sup>	
524	R24	24	18.0/19.2	3.6	350	0.76/0.58
615	S15	115	86.3/92.0	17.3	8100 <sup>2)</sup>	0.76/0.58
730	T30	230	172.5/184.0	34.5	32500 <sup>2)</sup>	0.74/0.58

2) Coil resistance ±15%

5) Power for optional LED: 24VAC:12mVA, 115VAC: 54mVA, 230VAC: 73mVA

All figures are given for coil without pre-energization, at ambient temperature +23°C

Other coil voltages on request



**Other Data**

Material compliance: EU RoHS/ELV, China RoHS, REACH, Halogen content refer to the Product Compliance Support Center at [www.te.com/customer-support/rohssupportcenter](http://www.te.com/customer-support/rohssupportcenter)

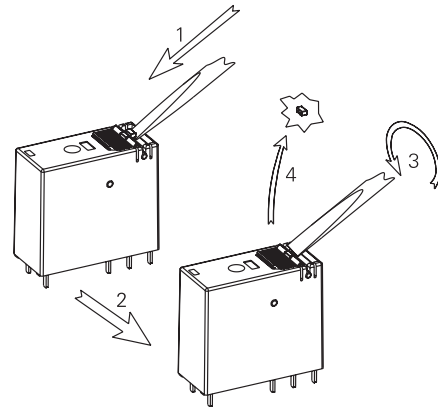
Ambient temperature	-40 to +70°C
Cold storage, IEC 60068-2-1	-40°C/16h
Dry heat, IEC 60068-2-2	85°C/16h
Damp heat cyclic IEC 60068-2-30, Db, Variant 1	25/55°C for 12/12h (2 cycles)
Category of environmental protection IEC 61810	RTII - flux proof
Vibration resistance (functional), form A (NO)/form B (NC)	20/5g (30 to 500Hz)
Shock resistance (destructive)	100g
Terminal type	plug-in
Cover retention pull force	100 N
push force	100 N
Mounting distance corresponds to dense packing of sockets	≥4.5mm,
Manual operation	testing and locking position <sup>6)</sup>
Weight	16g
Packaging unit	10/250 pcs.

<sup>6)</sup> Locking function description

If the test button is pulled out too forcefully, it may bypass the momentary testing position and go straight into the locked position. Delivery status is with testing possibility only, to reach locking position please remove the locking plastic pip according drawing.

**Insulation Data**

Initial dielectric strength	
between open contacts	1000Vrms
between contact and coil	
in combination with socket RT78726	5000Vrms
in combination with socket RT78725	4000Vrms
between adjacent contacts	2500Vrms
Initial surge withstand voltage	
between contact and coil	5000V (1.2/50µs)
Clearance/creepage	
between contact and coil	≥8/8mm
Material group of insulation parts	IIIa
Tracking index of relay base	PTI 175V



**Accessories**

For details see datasheet [Accessories Interface Plug-in Relay XT](#)

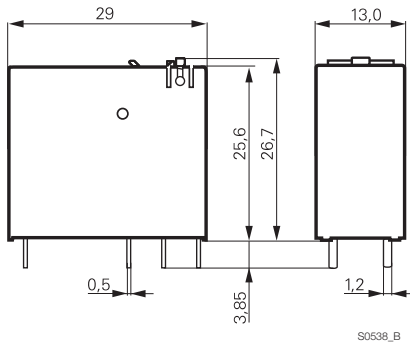
Note: indicated contact ratings and electrical endurance data for direct wiring of relays (according IEC 61810-1); for relays mounted on sockets deratings may apply.

**Product Sets**

Complete sets consisting of a relay mounted on a socket see [Package XT](#)

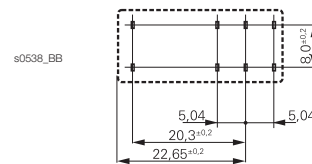
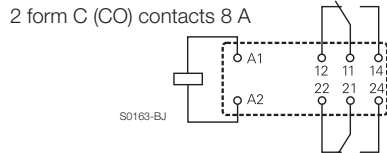
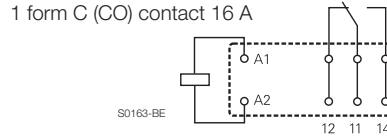
**Interface Plug-in Relay XT** (Continued)

**Dimensions**



**Terminal assignment**

Bottom view on pins



**Product code structure**

Typical product code **XT 3 7 4 T30**

<b>Type</b>	XT Interface Plug-in Relay XT				
<b>Version</b>	<b>3</b>	1 pole, 16A, pinning 5mm	<b>4</b>	2 pole, 8A, pinning 5mm	
<b>Contact configuration</b>	<b>1</b>	1 form C contact (1 CO)	<b>7</b>	1 form C contact (1 CO) with test button and mechanical indicator	
	<b>2</b>	2 form C contacts (2 CO)	<b>8</b>	2 form C contacts (2 CO) with test button and mechanical indicator	
<b>Contact material</b>	<b>4</b>	AgNi90/10			
<b>Coil</b>	Coil code: please refer to coil versions table				

Product key	Contacts	Cont. material	Coil	Coil	Part number
XT374LC4	1 form C	AgNi90/10	DC coil	24VDC	1887112-1
XT374R24	1 CO contact	test button, mechanical and electrical indicator	AC coil	24VAC	1887113-3
XT374T30	16A			230VAC	1887113-1
XT484LC4	2 form C	AgNi90/10	DC coil	24VDC	1887212-1
XT484R24	2 CO contacts		AC coil	24VAC	1887213-3
XT484T30	8A		230VAC	1887213-1	

Other types on request