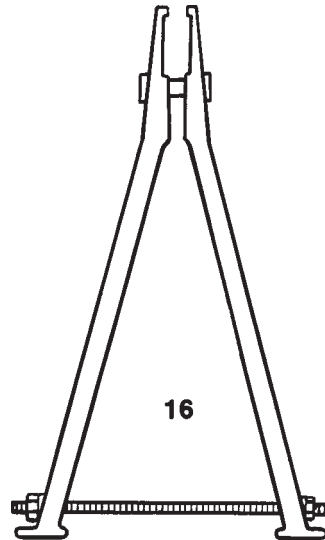
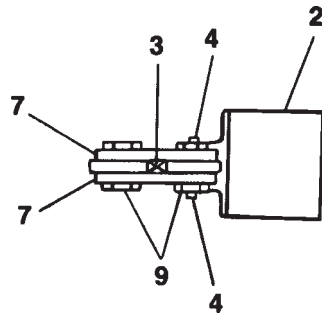
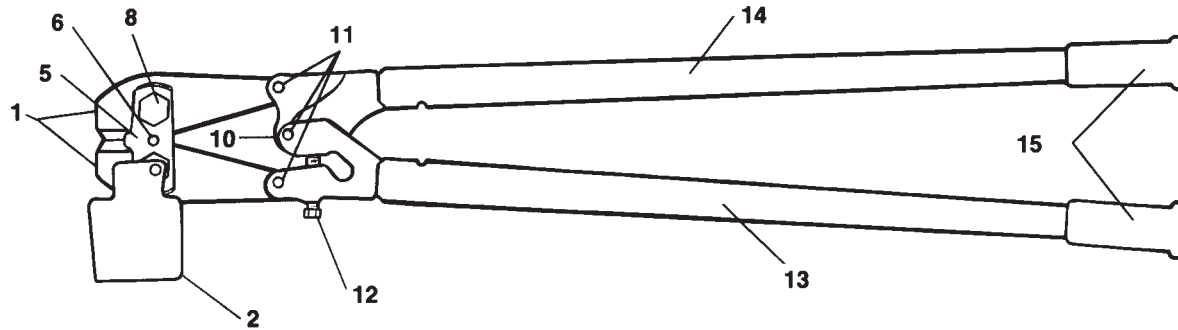


# 0590MTC Carbide Heavy Duty Cutter

NOTE: 0590MTC PLUS 0589BP EQUALS 0590MBC



## Parts for 0590MTC, 0590MBC

Overall Length: 42" (1067 mm)

Item No.	Part No.	Description
.....	0513TC	Cutterhead
.....	0512TC	Jaws, Pair
1	0510TC	Jaw, Only
2	0550TC	Guard
3	0514	Pin, Jaw Pivot
4	212951	Screw Guard
5	0556TC	Lockplate
6	0257	Screw, Lockplate
7	0520TC	Strap
8	0535TC	Bolt
9	0566TC	Nut
10	0584	Bushing, Handle
11	0527S	Bolt and Nut
12	0538M	Screw, Adjusting
13	0506MS	Handle, Left
14	0505MS	Handle, Right
15	0580M	Grip, Rubber
16	0589BP	Bipod