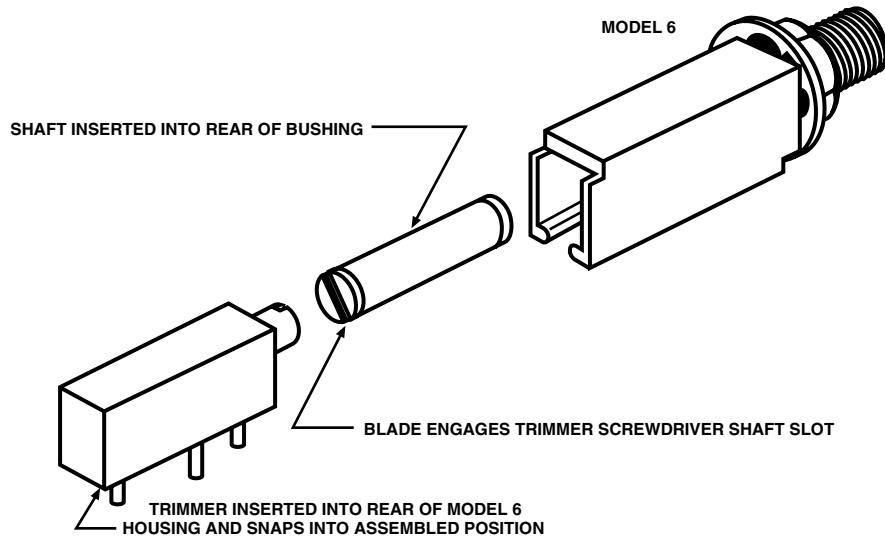


Snap-On Panel Mount Adapters

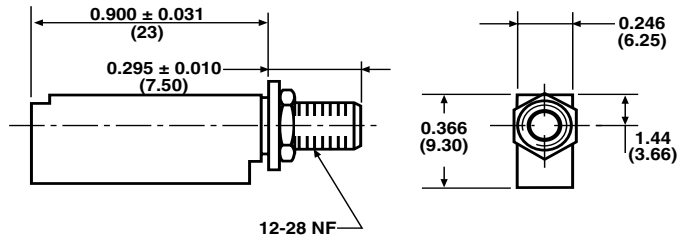
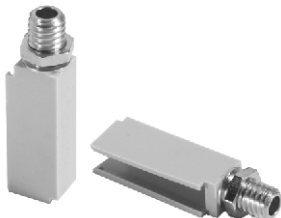
Vishay Spectrol's standard 3/4" and 1 - 1/4" rectangular trimming potentiometers, the Models 43 and 70, may be easily panel mounted through the use of Vishay Spectrol Model 6 panel mount adapters. The adapters are designed to convert these standard trimmer models into panel mount trimmers in a quick, convenient, and economical manner. Assembly with the trimmer is accomplished by snap-in, providing for minimal installation time.



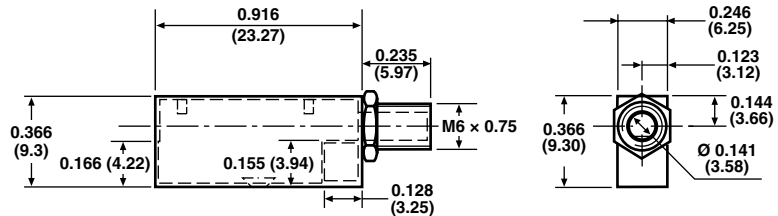
DIMENSIONS in inches (millimeters)

ACTUAL SIZES

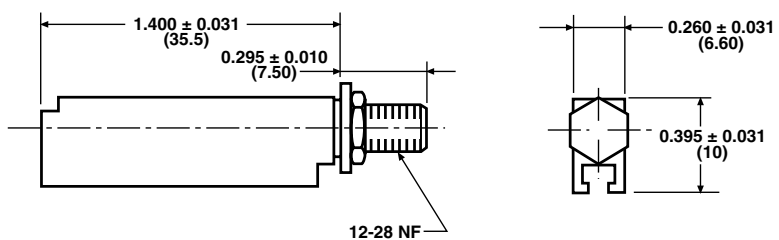
6-1-0



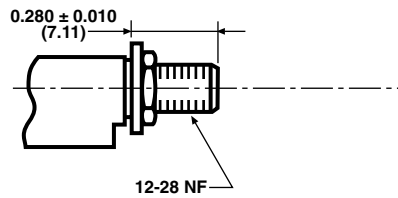
6-1-0-P



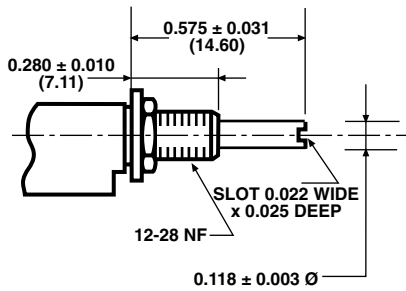
6-2-0



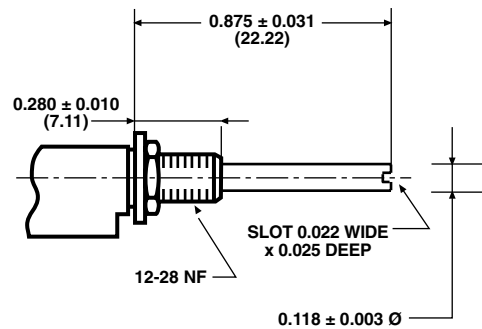
AVAILABLE SHAFT CONFIGURATIONS



6-1-2



6-1-3



SHAFT DIMENSIONS APPLY TO 6-1-X AND 6-2-X VERSION

MECHANICAL SPECIFICATIONS

- Construction** Molded polyester plastic
- Bushing Material** Brass nickel plated
- Bushing Hardware** Panel nut and lock washer
- Shafts Available (Inches)** (1) Flush (2) 0.575 (3) 0.875

See photos and drawings for additional information

PACKAGING

Box of 100 pieces

ORDERING INFORMATION			
6 MODEL	1 TRIMMER SIZE	2 SHAFT EXTENSION	OPTION
	1. Fits Vishay Spectrol Model 43 2. Fits Vishay Spectrol Model 70	0. No extra shaft 1. Shaft flush with bushing 2. 0.575 Shaft extension 3. 0.875 Shaft extension	P: Plastic bushing

SAP PART NUMBERING GUIDELINES																	
A	C	C	T	R	I	A	D	B	3	0	6	1	2				
MODEL						STYLE		PACKAGING			SPECIAL						
See the end of this data book for conversion tables																	



Disclaimer

All product specifications and data are subject to change without notice.

Vishay Intertechnology, Inc., its affiliates, agents, and employees, and all persons acting on its or their behalf (collectively, "Vishay"), disclaim any and all liability for any errors, inaccuracies or incompleteness contained herein or in any other disclosure relating to any product.

Vishay disclaims any and all liability arising out of the use or application of any product described herein or of any information provided herein to the maximum extent permitted by law. The product specifications do not expand or otherwise modify Vishay's terms and conditions of purchase, including but not limited to the warranty expressed therein, which apply to these products.

No license, express or implied, by estoppel or otherwise, to any intellectual property rights is granted by this document or by any conduct of Vishay.

The products shown herein are not designed for use in medical, life-saving, or life-sustaining applications unless otherwise expressly indicated. Customers using or selling Vishay products not expressly indicated for use in such applications do so entirely at their own risk and agree to fully indemnify Vishay for any damages arising or resulting from such use or sale. Please contact authorized Vishay personnel to obtain written terms and conditions regarding products designed for such applications.

Product names and markings noted herein may be trademarks of their respective owners.