

**AC Series
Tubeaxial
Cooling Fans
Model No. A31T10**

**3.15" Sq. x 1.00"
(80 mm Sq. x 25 mm)
16-20 CFM
(7.6-9.4 L/Sec.)**



Features

- Reliable shaded-pole motor construction
- Precision ball bearing system provides:
 - Longer life
 - Higher temperature extremes
 - Lower noise over time
 - Maximum shock and vibration resistance
- Rugged die-cast aluminum housing for maximum heat dissipation

Accessories:

- Finger guards
- Filters
- Screen guard

General Specifications

Frame: Die-cast aluminum painted black for moisture and corrosion resistance

Impeller: Reinforced polybutylene plastic (UL94V-0 rating)

Bearings: Precision, life-lubricated ball bearings

Insulation: Class A integral ground system rated @ 248°F (120°C)

Weight: 7.7 ozs. (220 grams)

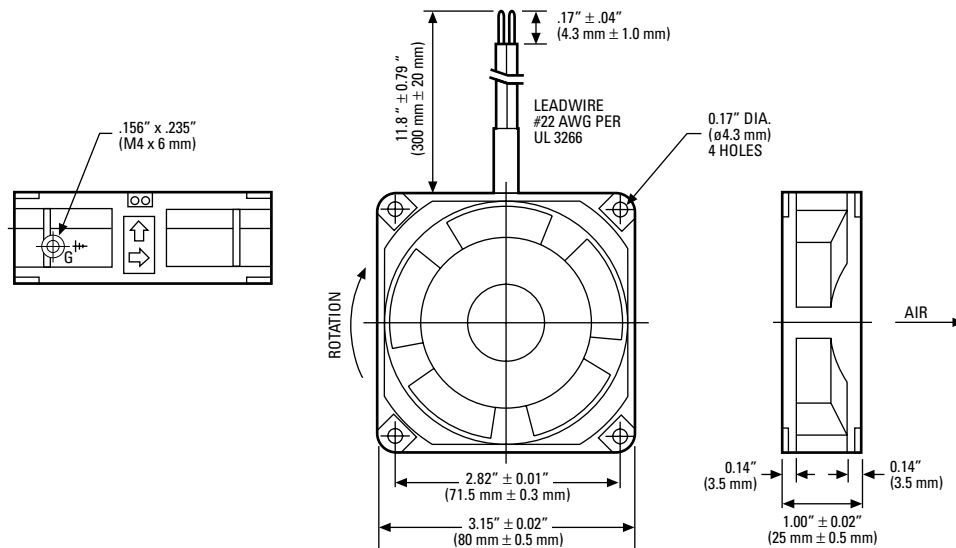
Operating Temperature Range: 14° to 158°F (-10° to 70°C)

Insulation Resistance: 100 megohms minimum @ 500 VDC

Dielectric Strength: 1500 VAC for 3 seconds

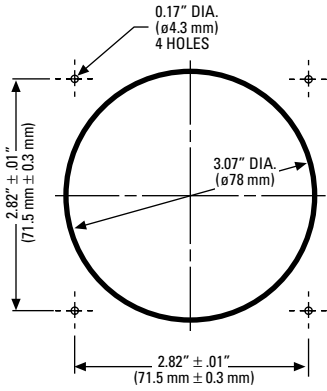
Safety Protection: Impedance protected

Life Expectancy: 50,000 hours minimum @ 77°F (25°C)

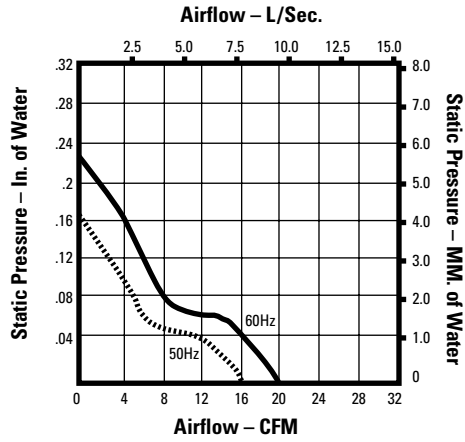


Globe Motors Part Number	Nominal Voltage VAC	Frequency Hz	Watts	Line Amps	RPM	Acoustic Noise dBA	Airflow (Min.)	
							CFM	Liters per Second
A31-B10A-15W3-000	115	50 / 60	6.0 / 5.0	0.085 / 0.075	2600 / 3100	28 / 33	16 / 20	7.6 / 9.4

Installation Guide



Performance at Sea Level



A31-B10A-15W3-000

Approvals



**UL File No.
E105397**



**CSA File No.
72877**



All operating specifications measured at nominal operating voltage, free air at sea level

NOTES: