

Miniature Halogen Lamps

T-2 3/4 Bulb

Line No.	Part Number	Base Type	Design Volts	Design Watts	MSCD	Filament Type	Rated Life	Fig No.	Foot Notes
1	64113	Mini Bayonet	12	10	16	C-6	200	86	

* **Caution** : Operates under pressure and may shatter. Use appropriate screening techniques to protect people and surroundings. Do not operate in close proximity to persons, combustible materials, or substances affected by heat or drying. Do not operate over 110% rated voltage because such operation increases pressure and lamps' tendency to shatter. Ultraviolet output may cause skin and eye irritation with prolonged exposure. Protect bulb from abrasions and scratches. Do not insert lamps when power is on. Follow operating instructions.

Sockets : Because of the relatively high wattage in these lamps, special ceramic sockets must be used. Heat dissipation must be considered in equipment design.

Min. Bulb Wall Temperature..... 200°C Max. Seal Temperature 350°C

Burning Position

T-2 1/4 and T-3 1/4 : Base down to horizontal

T-4 and T-4 5/8 : Horizontal

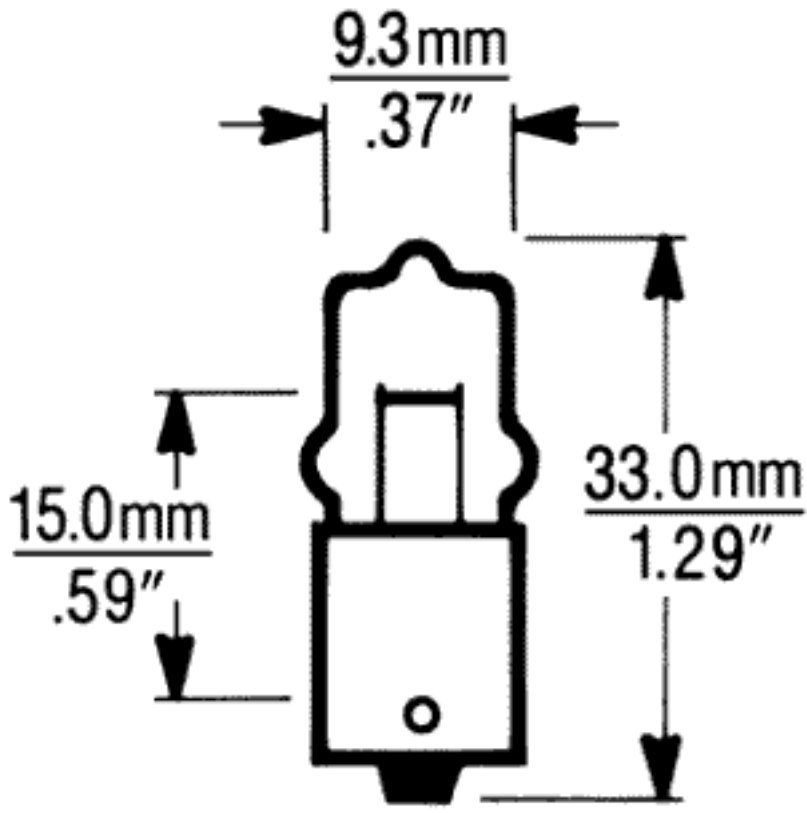


Fig. 86