



ELECTRONICS, INC.
 44 FARRAND STREET
 BLOOMFIELD, NJ 07003
 (973) 748-5089

NTE303 Thermal Compound, 1 Gram/Tube

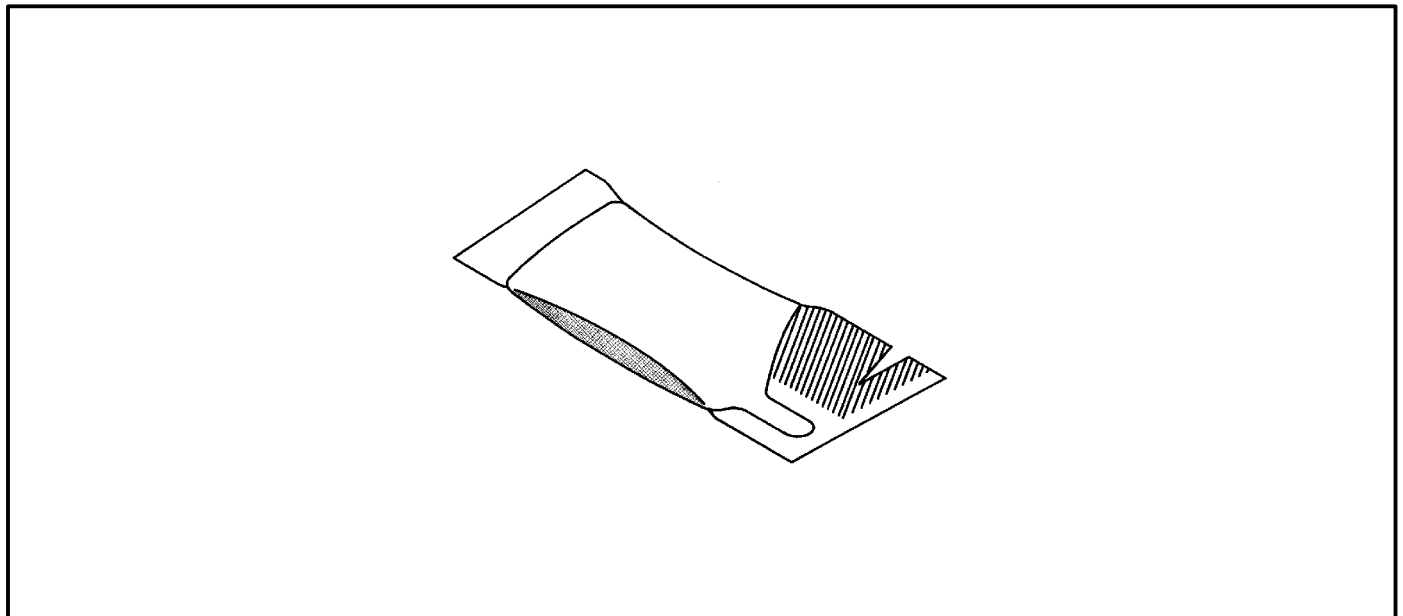
Technical Specifications: (Typical)

Material Description

Base	Silicon Oil
Filler	Zinc Oxide and Silica
Color	White
Serviceable Range, °F	-40 to 400
Specific Gravity	2.3 minimum
Thermal Conductivity, (K factor, cal/cm ² /°C/sec/cm)	0.001

Physical Properties

Consistency	
Worked Penetration (60 strokes) @ 77°F	250-330
Brookfield Viscosity (spindle #7; 1 rpm; 4th rev. @ 77°F)	1.1 - 1.6 mil cps.
Bleed; % max. after 24 hrs, @ 200°C	1.0
Evaporation; % max., after 24 hrs @ 200°C	1.0



Material Safety Data Sheet:

Section I

Distributor: Century Lubricants Co.
Address: 2140 S. 88th Street
Kansas City, KS 66111-8701

Telephone: 913-791-3645
Chem Trec: 800-424-9300

Revision Date: 1-18-96 HPC11 DOC 498 188002-AA

Prepared By: M. D. Hart

Section II (Chemical and Physical Properties)

Solubility in Water (@ 20°C):	NIL	Vapor Density (Air = 1):	> 1
Specific Gravity (Water = 1):	> 1.0	Strong Acid:	NO
Vapor Pressure (mmHg @ 20°C):	NIL	Strong Base:	NO
Evaporation Rate (Ether = 1):	< 0.001	Boiling Point (°F):	+600°F
Percent Volatile (By Weight):	ZERO	Melting Point (°F):	N/A
Appearance and Odor:	White Gel, Odorless		

Section III (Reactivity Data)

Stability: Stable
Incompatibility: Keep Away From Strong Oxidizers
Note: Hazardous Polymerization Will Not Occur

Section IV (Fire and Explosion Data)

Flash Point (Method): 600°F Min Flammable Limits – LEL: UNK UEL: UNK
Extinguishing Agents: Dry Chemical (X) CO₂ (X) Water Spray (X) Foam (X)
Special Fire Fighting Procedures: Avoid breathing vapors. Use breathing apparatus in confined areas. Cool exposed containers with water spray.
Hazardous Thermal Decomposition Product: Silicon dioxide, carbon oxides, formaldehyde, unidentified organic compounds

Section V (Precautions for Safe Handling and Use)

Steps to Take in Case of Spill: Add absorbent to spill area. Keep silicone products out of sewers and waterways. Advise authorities if they do enter.
Waste Disposal Method: Dispose of at appropriate waste facility in accordance with regulations.
Precautions in Storage: Keep containers closed when not in use. Do not handle near heat, flames, sparks. Do not weld or heat empty containers.

Section VI (Health Hazard Data)

Permissible Concentrations (Air): None Established

Route	Effect of Overexposure	Emergency First Aid Procedure
Eyes	None Expected	Flush with water. See physician.
Skin	Prolonged or repeated contact may cause mild irritation	Wash with soap and water. If high pressure, get immediate medical attention.
Inhalation	None Expected	Remove from contaminated area.
Ingestion	None Expected	
Chronic	None Expected	

Material Safety Data Sheet (Cont'd):

Section VI (Health Hazard Data)

Hazardous Ingredients	TLV, TWA, PEL	IARC, NTP, OSHA
Silica Thickner	PEL 20 MPPCF (As Dust)	Not Listed
Zinc Compound * < 80%	TWA 5 MG/M3 (As Dust)	Not Listed

Section VII (Control Measures)

Respiration Protection:	None Normally Needed
Ventilation Type:	General adequate. Use local mechanical to insure TLV's not surpassed where applicable.
Skin Protection:	Chemically Resistance Desirable
Eye Protection:	Goggles or Faceshield Desirable
Other Protective Measures:	None normally needed.

Section VIII (Miscellaneous)

UNK means Unknown

EST means Estimated

N/A means Not Applicable

* This component is regulated under Section 313 of SARA

The information contained herein is based on data considered accurate. However, no warranty, expressed or implied, is given regarding the accuracy of this data or the result to be obtained from the use thereof.