

HARDWARE & ACCESSORIES

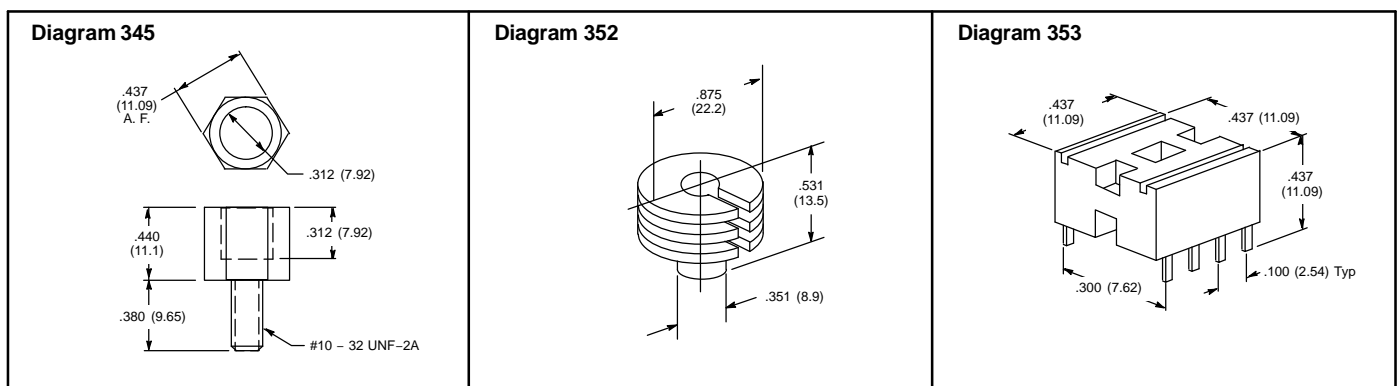
NTE Type Number	Diagram Number	Quantity Per Pkg	SEMICONDUCTOR HEAT SINKS
NTE400	362	2	Heat Sink for TO5/TO39 Type Package
NTE401	352	2	Heat Sink for TO5/TO39 Type Package
NTE402	363	2	Heat Sink for Mounting 2 Plastic Power Types (TO3P, TO126, TO127, TO202, TO218, TO220)
NTE403	364	2	Heat Sink for Mounting 1 Plastic Power Type (TO3P, TO126, TO127, TO202, TO218, TO220)
NTE404	365	1	Heat Sink for TO66 Type Package (Includes Base and Top Piece)
NTE405	366	1	Heat Sink for TO3 Type Package (Includes Base and Top Piece)
NTE406	373	2	Heat Sink for TO202 Type Package
NTE406A	727	2	Heat Sink for TO220 Type Package
NTE410	354	2	Heat Sink for TO1 Type Package
NTE411	345	2	Stud Mount Heat Sink for TO5/TO39 Type Package
NTE412	367	2	Heat Sink for TO18 Type Package
NTE440A	520	1	Heat Sink, Undrilled Mounting Surface
NTE440B	520	1	Heat Sink, Drilled Mounting Surface for TO3, TO48, TO66, TO126, TO127, TO220, DO5 Type Packages
NTE440C	520	1	Heat Sink, Drilled Mounting Surface for TO3, TO36, TO64, DO4 Type Packages
NTE441A	521	1	Heat Sink, Drilled Mounting Surface for Solid State Relays
NTE441B	521	1	Heat Sink, Undrilled Mounting Surface
NTE442C	-	1	Heat Sink, Undrilled Mounting Surface
NTE448B	425	2	Heat Sink for 14/16 Lead DIP Type Package
NTE448E	426	2	Heat Sink for 24 Lead DIP Type Package
NTE448G	427	2	Heat Sink for 40 Lead DIP Type Package
NTE450A	420	1	Heat Sink for 14 Lead DIP Type Package
NTE493	612	1	Heat Sink for TO126 Type Package
NTE494	613	1	Heat Sink for TO220 Type Package
NTE495	614	1	Heat Sink for Plastic Power Type Packages
NTE496	615	1	Heat Sink for Plastic Power Type Packages
NTE497	616	1	Heat Sink for TO220 Type Package
NTE498	617	1	Heat Sink for Plastic Power Type Packages
			HEAT SINK COMPOUND
NTE303	482	5	Silicone Thermal Compound, 1 Gram/Tube
NTE303A	623	1	Silicone Thermal Compound, 1 oz/Plunger Tube
NTE424	623	1	Non-Silicone Heat Sink Compound, 1 oz/Plunger Tube
NTE425	-	3	Thermal Interface Pad, Self-Adhesive, 1.65" x 1.65"
NTE434	624	1	Non-Corrosive Adhesive/Sealant, 2 oz/Squeeze Tube
			INSULATOR KITS (Each Kit Includes Mica Insulator & Nylon Bushings)
NTE413	-	2	Insulator Kit for TO3 Type Package
NTE414	-	2	Insulator Kit for TO36 Type Package (Includes Lock Washer, Solder Lug, and Nut)
NTE415	-	2	Insulator Kit for TO66 Type Package
NTE422	-	2	Insulator Kit for TO220 (Plastic TO66) Type Package
NTE438	-	1	Insulator Kit for DO4/TO64 Stud Type Package (Includes Flat Washer, Solder Lug, and Nut)
NTE439	-	1	Insulator Kit for DO5/TO48 Stud Type Package (Includes Flat Washer, Lock Washer, Solder Lug, and Nut)
			SOCKETS
NTE209	355	2	Socket for TO3 Type Package
NTE409	356	2	Socket for 14 Lead DIP Type Package
NTE416	357	2	Socket for 16 Lead DIP Type Package
NTE417	368	2	Socket for 3 Lead TO18/TO92 Type Package
NTE419	370	2	Socket for 3 Lead TO5/TO39 Type Package (NOTE: Housing color may vary)
NTE421	372	2	Socket for TO66 Type Package
NTE423	353	2	Socket for 8 Lead DIP Type Package

See Diagrams, beginning on Page 1-377

HARDWARE & ACCESSORIES

NTE Type Number	Diagram Number	Quantity Per Pkg	SOCKETS (Cont'd)
NTE428	358	2	Socket for 24 Lead DIP Type Package
NTE429	359	2	Socket for 28 Lead DIP Type Package
NTE430	360	1	Socket for 40 Lead DIP Type Package
NTE435K28	561	2	Socket for 28 Lead DIP Type Package, 0.070 (1.78) Lead Spacing
NTE435K30	562	2	Socket for 30 Lead DIP Type Package, 0.070 (1.78) Lead Spacing
NTE435K42	563	1	Socket for 42 Lead DIP Type Package, 0.070 (1.78) Lead Spacing
NTE435K52	632	1	Socket for 52 Lead DIP Type Package, 0.070 (1.78) Lead Spacing
NTE435K64	564	1	Socket for 64 Lead DIP Type Package, 0.070 (1.78) Lead Spacing
NTE435P6	524	2	Socket for 6 Lead DIP Type Package
NTE435P18	374	2	Socket for 18 Lead DIP Type Package
NTE435P20	375	2	Socket for 20 Lead DIP Type Package
NTE435P22	376	2	Socket for 22 Lead DIP Type Package
NTE435P42	588	1	Socket for 42 Lead DIP Type Package
NTE436W8	525	2	Socket for 8 Lead DIP Type Package, Wire Wrap Leads
NTE436W14	526	2	Socket for 14 Lead DIP Type Package, Wire Wrap Leads
NTE436W16	527	2	Socket for 16 Lead DIP Type Package, Wire Wrap Leads
NTE436W18	528	2	Socket for 18 Lead DIP Type Package, Wire Wrap Leads
NTE436W20	529	1	Socket for 20 Lead DIP Type Package, Wire Wrap Leads
NTE436W22	530	1	Socket for 22 Lead DIP Type Package, Wire Wrap Leads
NTE436W24	531	1	Socket for 24 Lead DIP Type Package, Wire Wrap Leads
NTE436W28	532	1	Socket for 28 Lead DIP Type Package, Wire Wrap Leads
NTE436W40	533	1	Socket for 40 Lead DIP Type Package, Wire Wrap Leads
			MOUNTING CLIPS
LED-MC	714	5	Mounting Clip (2 Piece) for T-1 3/4 (5mm) LEDs
LED-MC2	715	5	Mounting Clip for T-1 3/4 (5mm) LEDs
LED-MC3	733	5	Mounting Clip for T-1 (3mm) LEDs
LED-MC8	731	3	Mounting Clip for 8mm LEDs
LED-MC10	732	3	Mounting Clip for T-3 1/4 (10mm) LEDs
			HARDWARE
NTE426	-	2	Metric Hardware Kit TO220 Type Package (Includes 3mm Nuts and Bolts)
NTE432	361	2	Thread Converter (Converts 3/8-24 to 1/2-20)
NTE433	418	1	High Voltage Splices for CRT Anode Leads (40KV Insulation)

DIMENSIONAL OUTLINE DRAWINGS



See Diagrams, beginning on Page 1-377

DIMENSIONAL OUTLINE DRAWINGS

Diagram 354

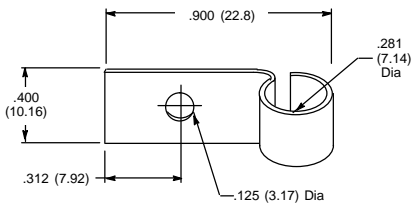


Diagram 355

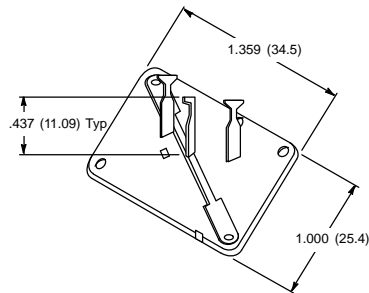


Diagram 356

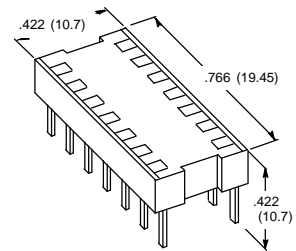


Diagram 357

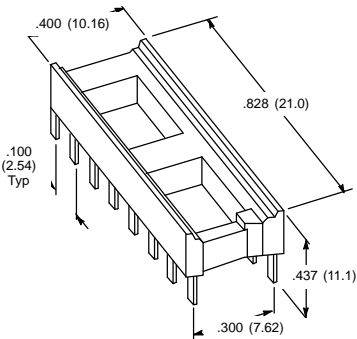


Diagram 358

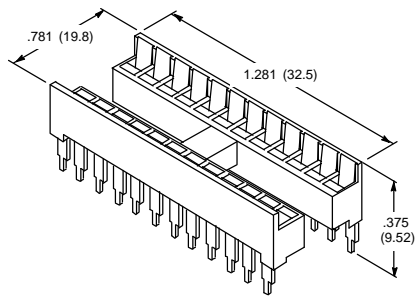


Diagram 359

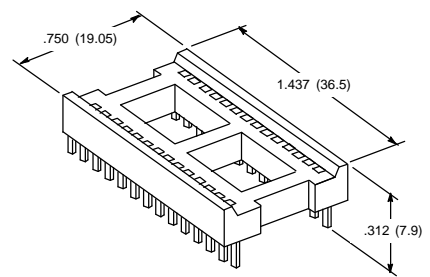


Diagram 360

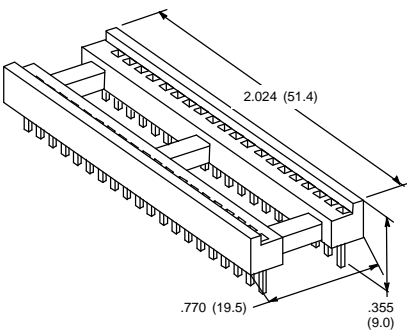


Diagram 361

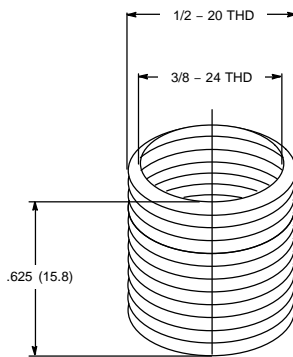


Diagram 362

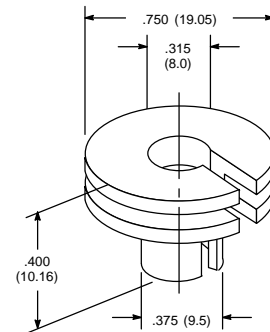


Diagram 363

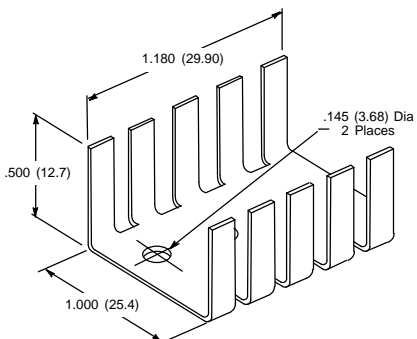


Diagram 364

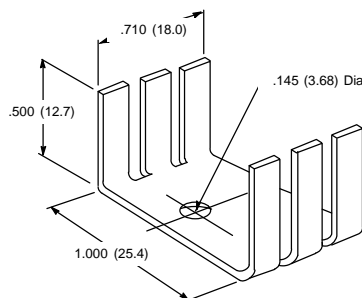
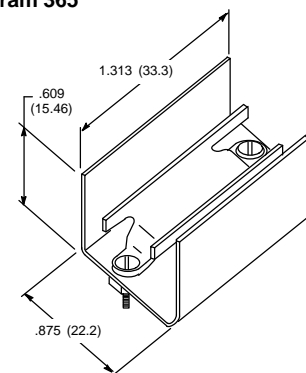


Diagram 365



DIMENSIONAL OUTLINE DRAWINGS

Diagram 366

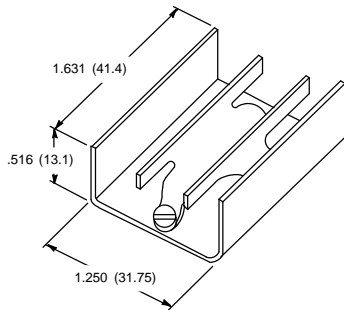


Diagram 367

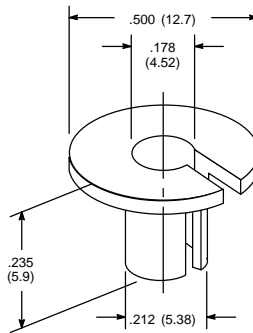


Diagram 368

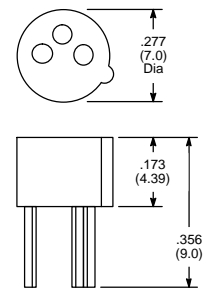


Diagram 369

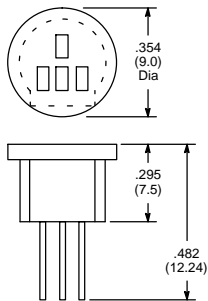
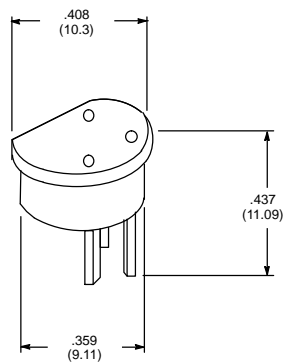


Diagram 370



NOTE: May come with pin leads (PC mount) or solder lugs.
Please consult factory before ordering.

Diagram 372

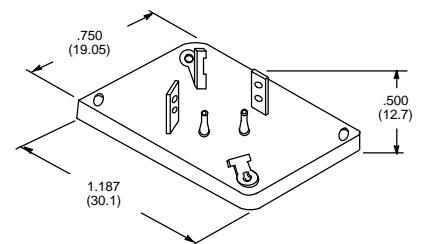


Diagram 373

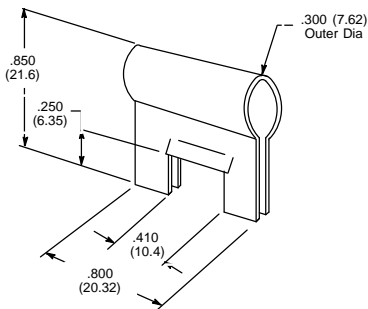


Diagram 374

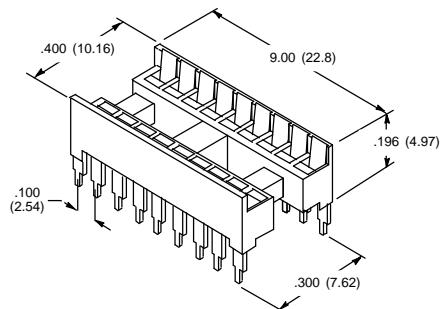


Diagram 375

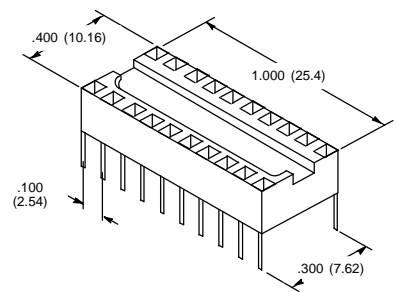


Diagram 376

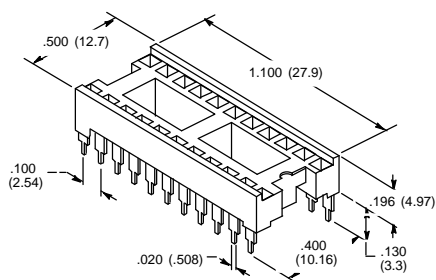


Diagram 418

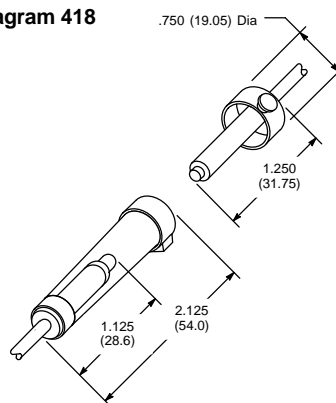
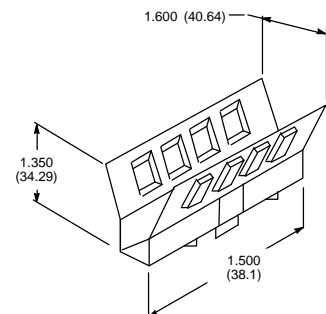


Diagram 420



DIMENSIONAL OUTLINE DRAWINGS

Diagram 425

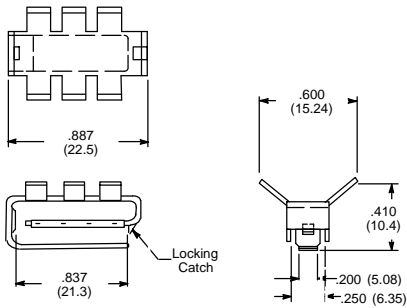


Diagram 426

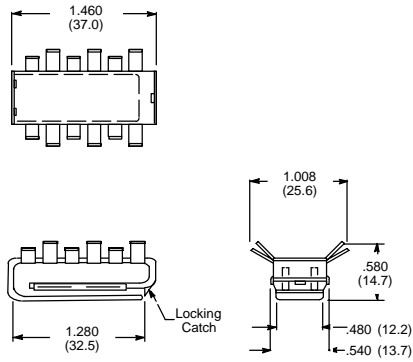


Diagram 427

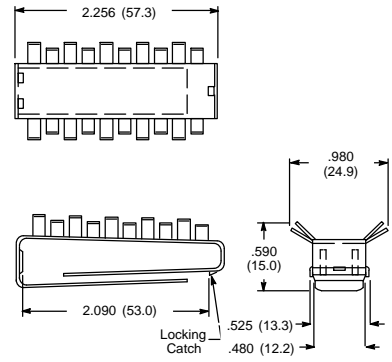


Diagram 482

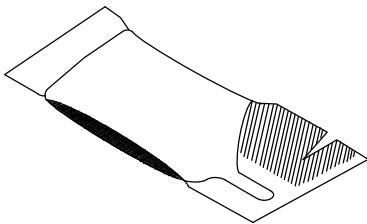


Diagram 520

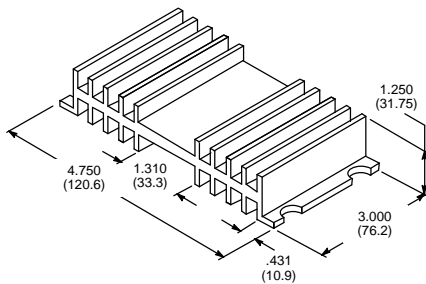


Diagram 521

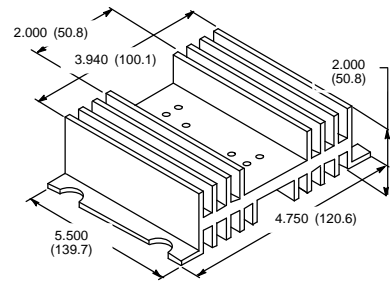


Diagram 524

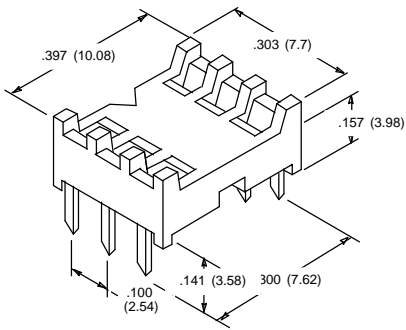


Diagram 525

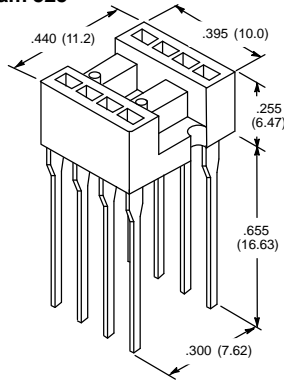


Diagram 526

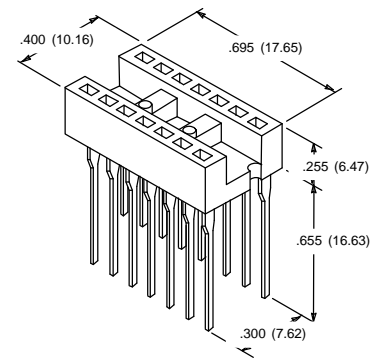


Diagram 527

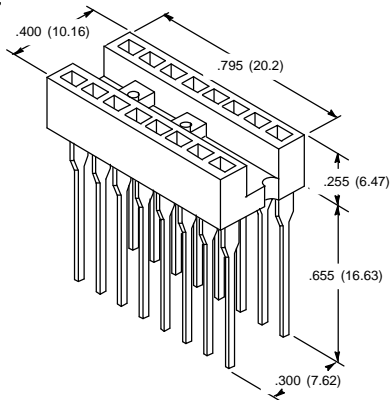
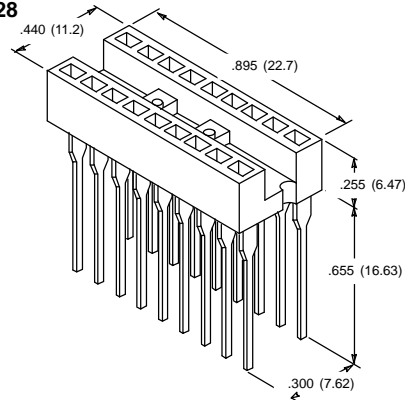


Diagram 528



DIMENSIONAL OUTLINE DRAWINGS

Diagram 529

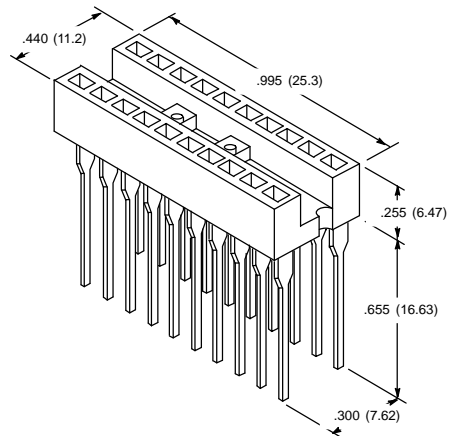


Diagram 530

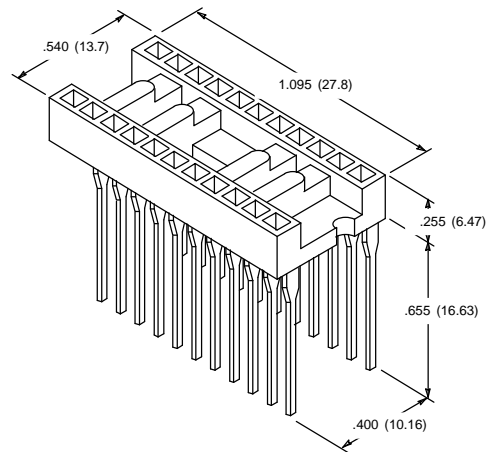


Diagram 531

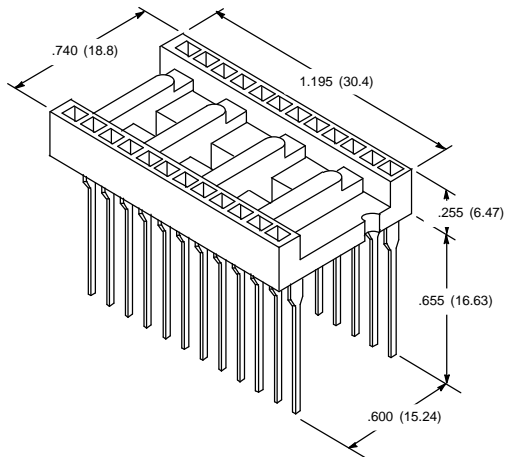


Diagram 532

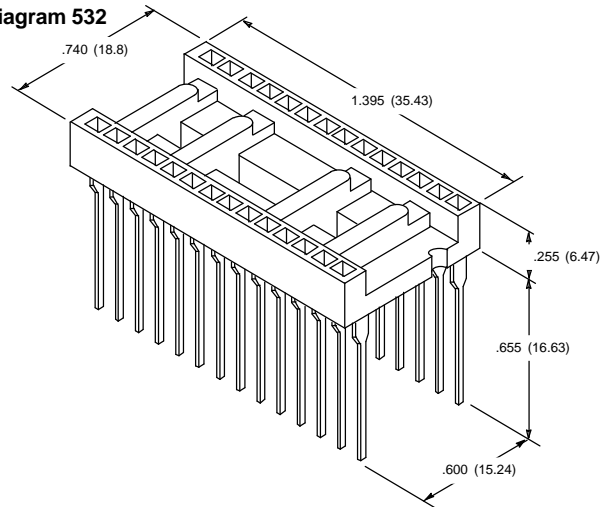
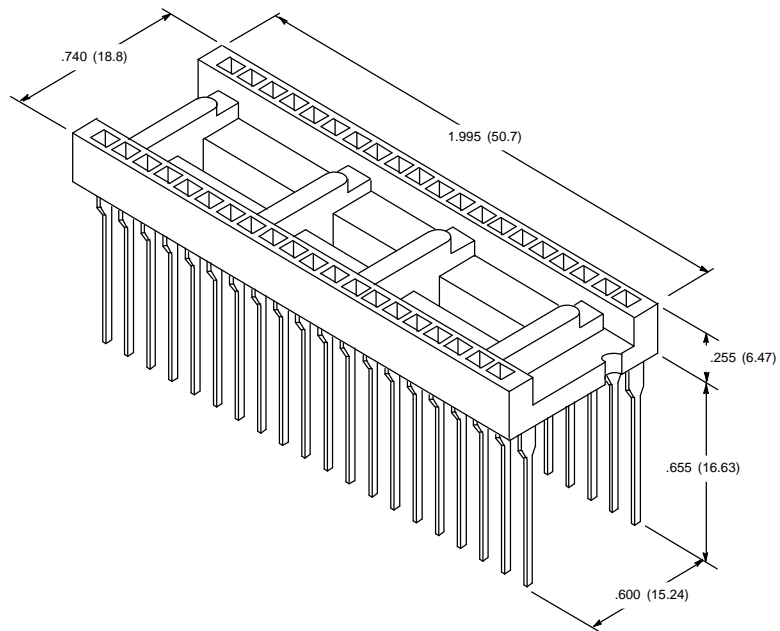


Diagram 533



DIMENSIONAL OUTLINE DRAWINGS

Diagram 561

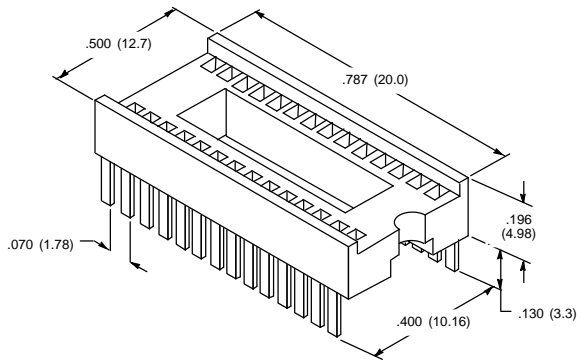


Diagram 562

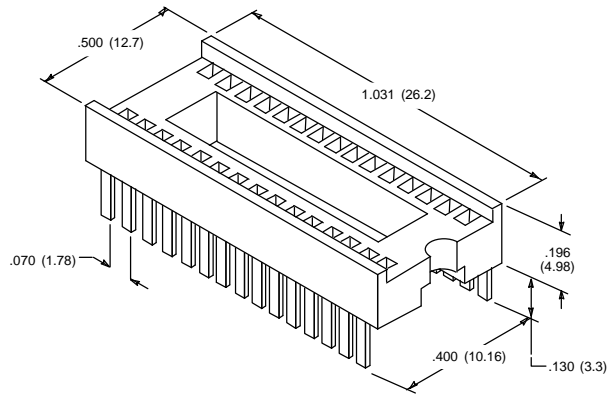


Diagram 563

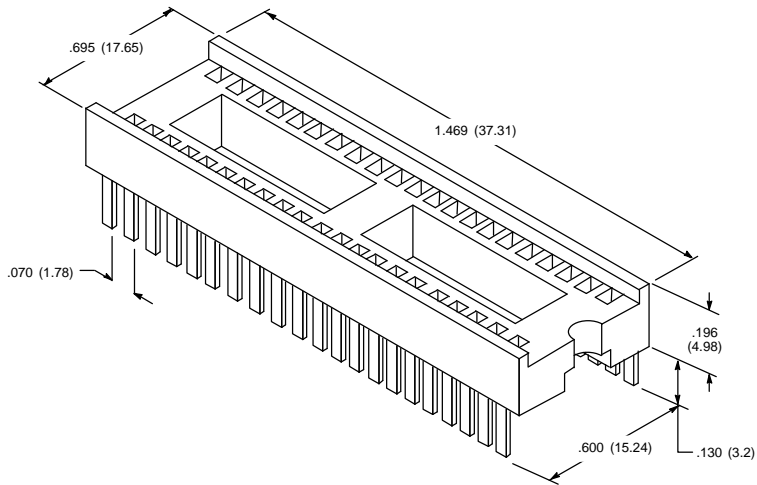
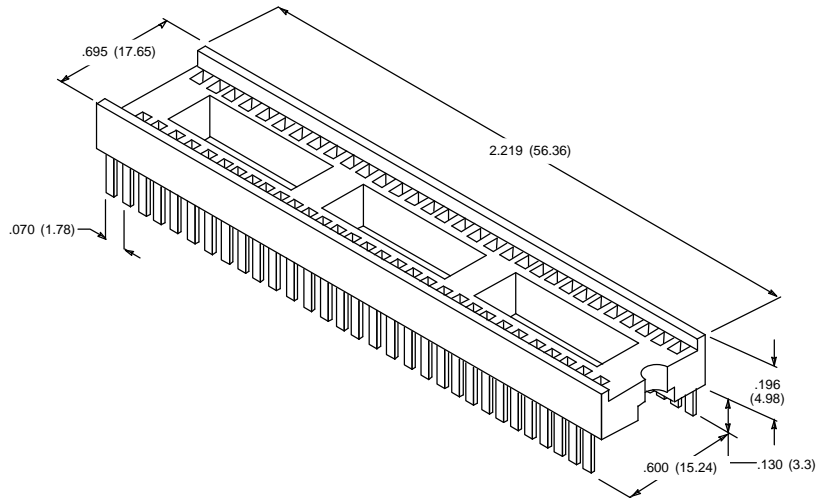


Diagram 564



DIMENSIONAL OUTLINE DRAWINGS

Diagram 588

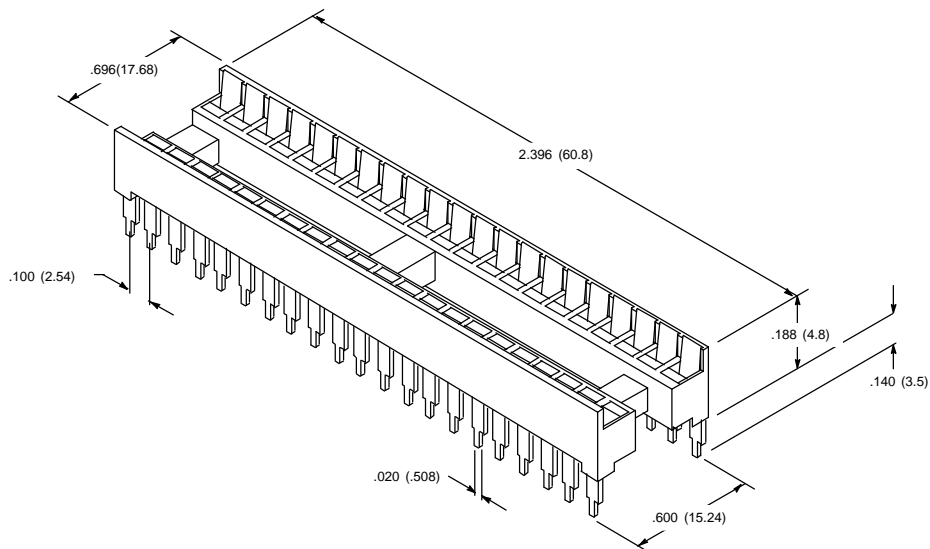


Diagram 612

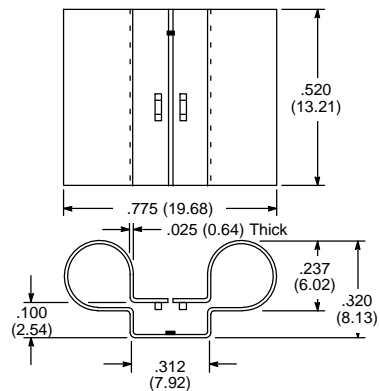


Diagram 613

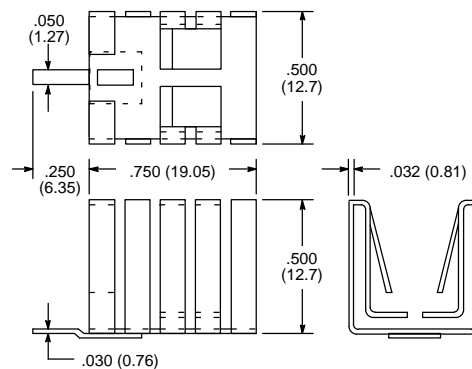


Diagram 614

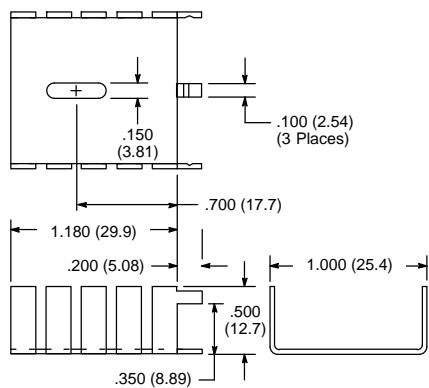
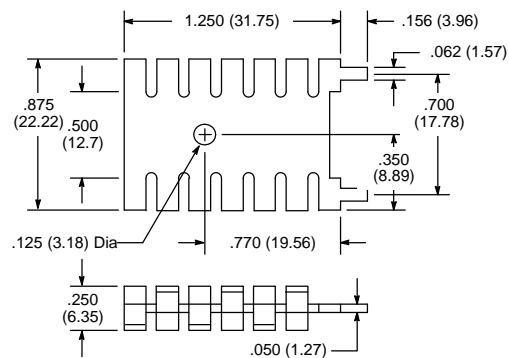


Diagram 615



DIMENSIONAL OUTLINE DRAWINGS

Diagram 616

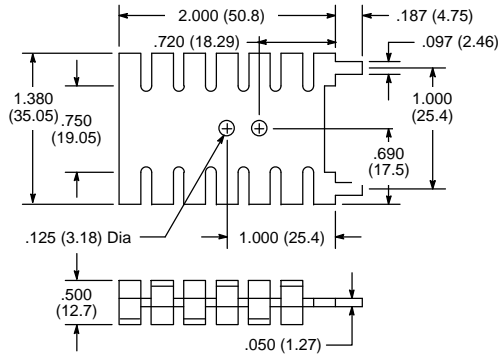


Diagram 617

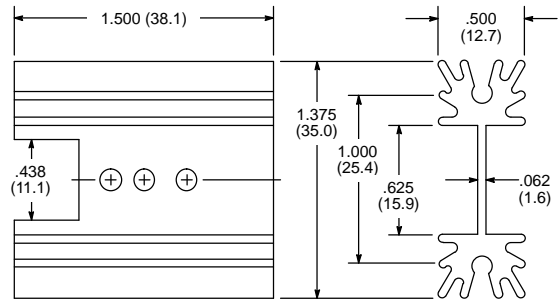


Diagram 623

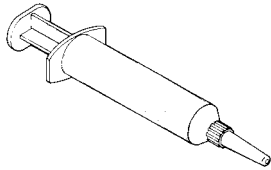


Diagram 632

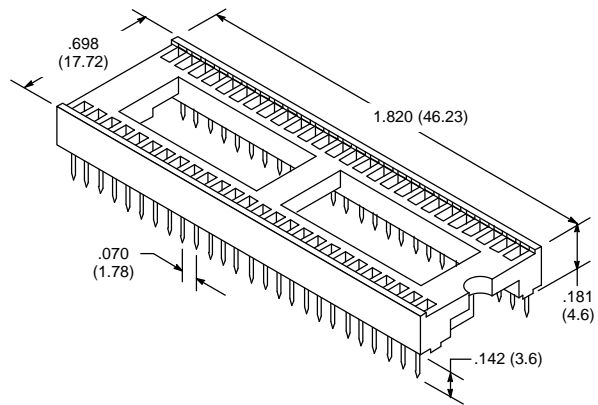


Diagram 624

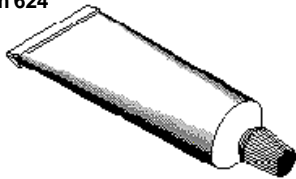


Diagram 714

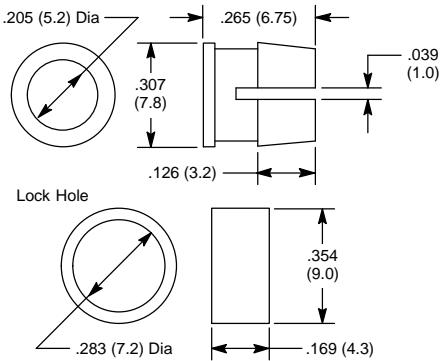


Diagram 715

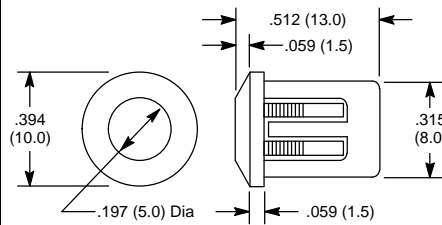


Diagram 727

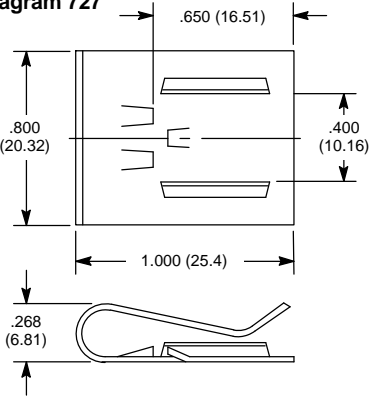


Diagram 731

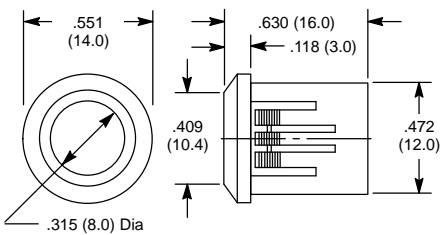


Diagram 732

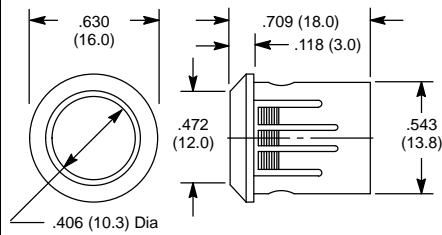


Diagram 733

