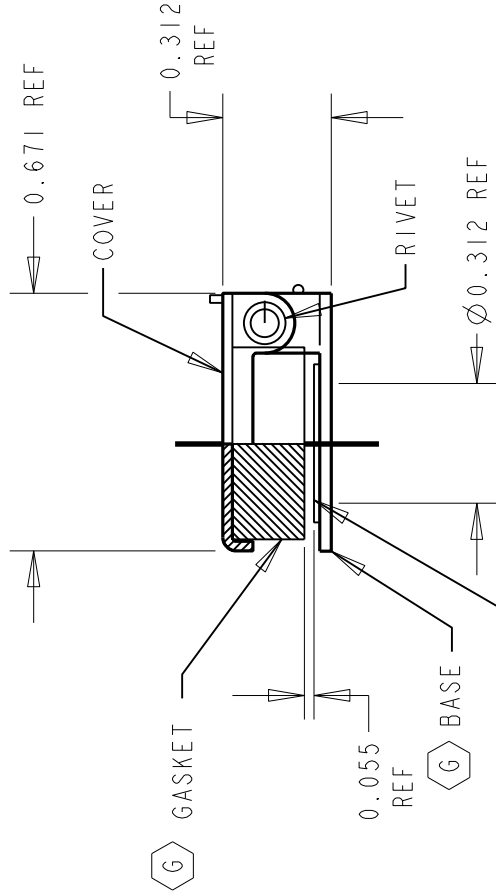
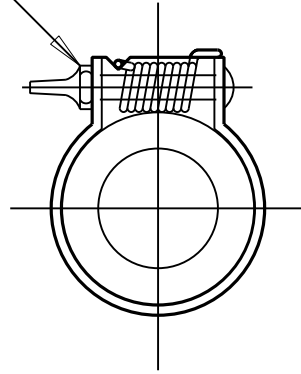


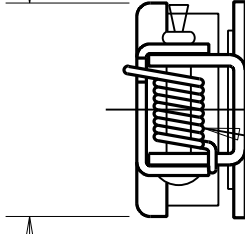
NOTES:

1. COVER & BASE - STEEL
 -FINISH - MIL-F-14072 (SIG.-C)
 -BASIC FINISH#P-211 TYPE EXPOSURE I
 -FINAL FINISH PER TT-E-529 ENAMEL
 SYNTHETIC SEMI-GLOSS BLACK PER -A1
2. GASKET - SYNTHETIC RUBBER
3. TORSION SPRING - STAINLESS STEEL
4. RIVET - STAINLESS STEEL
5. RIVET WASHER - BRASS.
6. ACCESSORY WASHER - STEEL, NICKEL PLATE

RIVET WASHER



0.556 REF



TORSION SPRING

CUSTOMER DRAWING

<p>★ STAR SYMBOL DENOTES CRITICAL DIMENSION</p>		<p>UNLESS OTHERWISE SPECIFIED</p> <p>1. ALL DIMENSIONS IN INCHES -TWO PLACE DECIMALS ±0.01 -THREE PLACE DECIMALS ±0.005 -ANGLES ±1° -ALL DIA. CONCENTRIC WITHIN 0.005 T.I.R.</p> <p>2. FEATURES ON THE SAME CENTERLINE MUST BE ALIGNED WITHIN ±0.002</p> <p>3. REMOVE ALL BURRS</p>		<p>THIS DRAWING DESCRIBES A DESIGN CONSIDERED PROPRIETARY IN NATURE, DEVELOPED AND MANUFACTURED BY SWITCHCRAFT INC. AND IS RELEASED ON A CONFIDENTIAL BASIS FOR IDENTIFICATION PURPOSES ONLY.</p>	
SIZE	WIDTH	MULT	LBS/M	TEMPER	MATERIAL SPEC No.
FINISH	FIRST USED ON		SCALE		
SPEC No.	DATE DRAWN	BY	CHKD	APVD	
	3-21-88	EB	JF	DLV	
		8-3-90	8-3-90	8-3-90	
NAME		TIP JAX COVER ASS'Y		REV	REV
		BLACK		2C1072	G
REVISIONS		DO NOT SCALE DRAWING			
REV	ECO NUMBER	DATE	BY	APVD	
G	23140	4-20-00	DA	DK	
F	ECO #22434	10-29-98	RC	JF	

Switchcraft