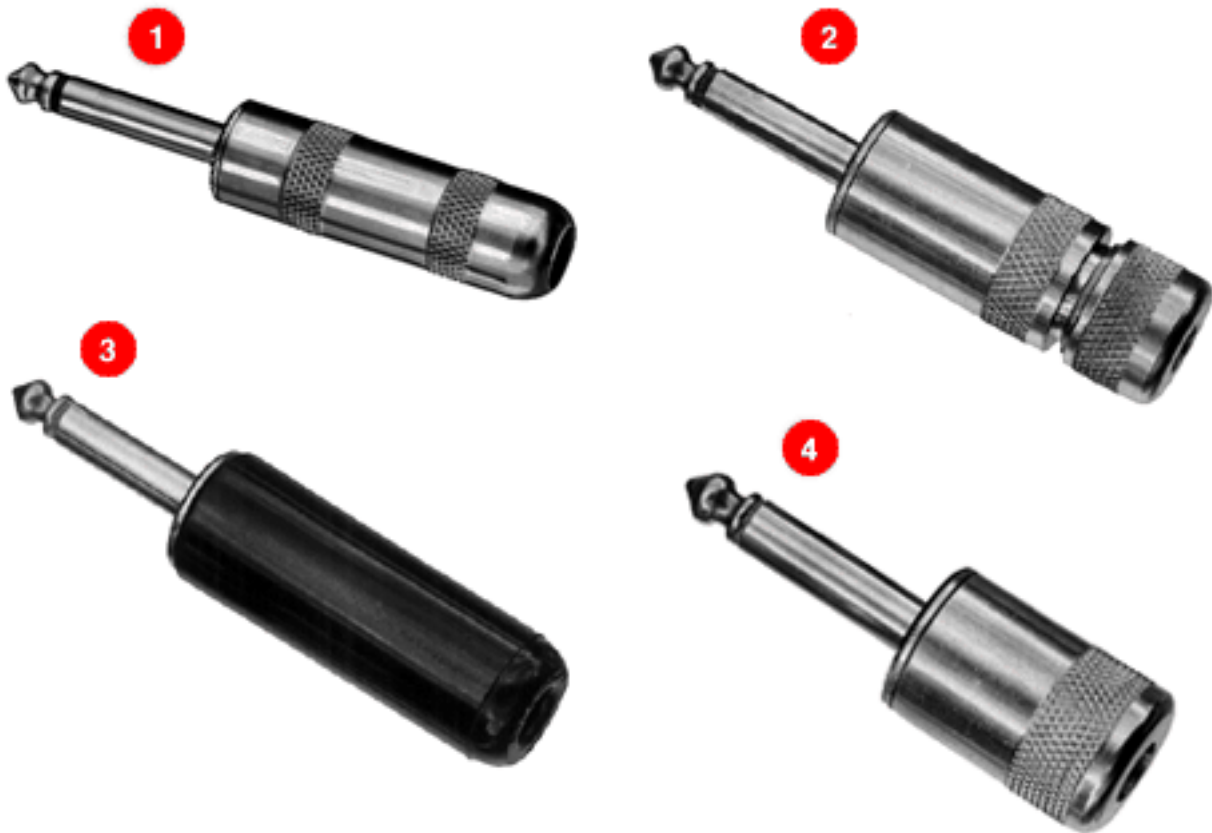


Switchcraft®

[Previous Page](#) | [Return to Index](#) | [Next Page](#)



1/4" COMMERCIAL PHONE PLUGS

- 1. 2-CONDUCTOR/PLASTIC OR SHIELDED HANDLES Numbers 70, 184**
- 2. 2-CONDUCTOR/PLASTIC OR SHIELDED HANDLES Number 170, 181**
- 3. 2-CONDUCTOR/PLASTIC OR SHIELDED HANDLES Number 40**
- 4. 2-CONDUCTOR/PLASTIC OR SHIELDED HANDLES Number 160**

[click here to download a schematic drawing](#)

(you will need to have Adobe Acrobat installed on your system to do this)



Popular general purpose plug fits all standard jacks. Available in both 2- and 3-conductor types. Two-conductor plugs available with black or red molded plastic, or 3 different lengths of brass nickel-plated (shielded) handles. 3-conductor plugs on next page.

2-Conductor Special Military Plugs are also available.

FEATURES

- * 1-piece tip rod staked into tip terminal insures tightness of plug.
- * All essential conducting members are brass with external parts nickel-plated.
- * Terminal screws: broad-headed. In production quantities, screws may be eliminated and terminals hot-tinned for easier soldering of wire leads to terminals (special order).
- * Screw terminals have grooves which accommodate 1 or 2 cord tips.
- * Thermoplastic handle insert for greater insulation.
- * Plugs accept up to .25 inch maximum diameter cable (parallel or shielded cable).

SPECIFICATIONS

Sleeve, Tip and Body: Nickel-plated copper alloy.

Terminals: Solder lug: copper alloy, electro-tinned.

Screw: steel, tin-plated.

Handles: Shielded: Nickel-plated copper alloy.

Molded: black or red plastic.

Part Number	Terminals	Typical Mating Jack ²	Handle	Handle Part Number	
40	Screw (Replacement Screw Part No. P10013) 2 required	11 or Z15J	Black	M1001	
703			Shielded	Handle: T10141 Insulator:	
160			Shielded	Handle: T10451 Insulator: A10061 – Handle: T112311 Insulator: A10064 Handle:	
2P1251			Without Handle	--	
1701 182QB 182QBD			Shielded	Handle: T112311 Insulator: A10064	
1843			Solder Lug & Cable Clamp	Shielded	Handle: T10141 Insulator: A11372
184L4				Shielded	T2322

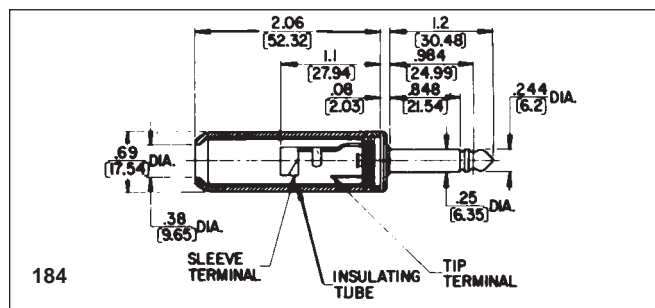
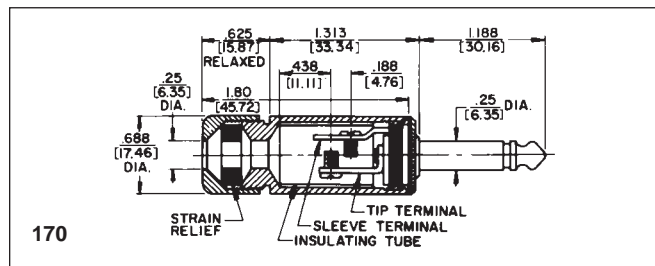
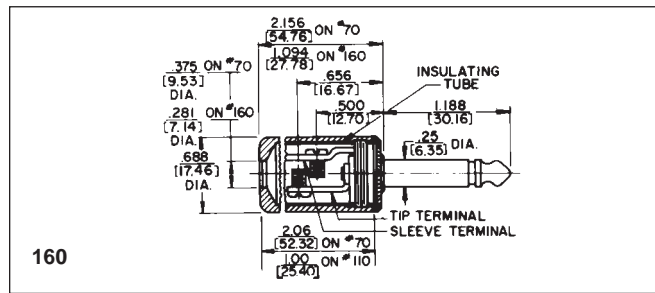
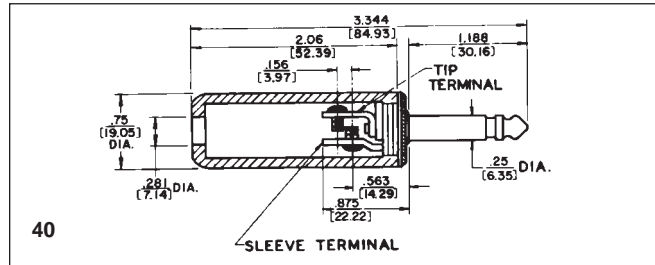
¹ 2-piece shielded handle with built-in cable clamp for .25 inch diameter cable. Handles: Number T11231, handle; Number T11241, cap; see above for insulating tube; Number T1125, rubber washer.

² Other mating plugs are available.

³ Handle has .380 inch (9.65mm) diameter hole to accommodate .375" diameter cable.

⁴ Handle has .451 inch (11.51mm) diameter hole to accommodate larger diameter cables.

1/4" COMMERCIAL PHONE PLUGS



DIMENSIONS ARE FOR REFERENCE ONLY $\frac{\text{Inch}}{\text{(mm)}}$

NOTE: Contact your Switchcraft Representative for price and delivery.