

**Plug-in Screw Connector System for Printed Circuit Boards**

**TYPE 121-C-111**

0.2 in. spacing - 2 to 24 poles



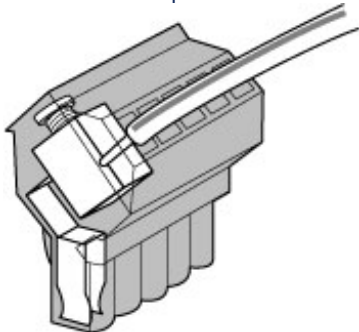
Series	Download PDF	3D Model	Can plug with	How to order	Color specifications	Print
--------	--------------	----------	---------------	--------------	----------------------	-------



121-C-111



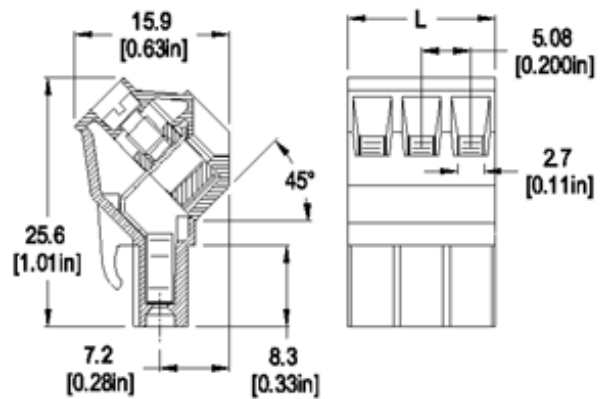
One possible variation of assembly



Typical Application



RoHS WEEE Pb free compliant



Dimensions: mm (in.)

Length of Connector (L)  
L = No. of Poles x Center to Center Spacing

When locating connector, allow 0.5 mm clearance around it for process-induced variations.

**Approval Information**

UL File No.E69841   
CSA File No.LR24322

Rating	Current(A)	Voltage(V)	Application group	AWG
UL	15	300	B	26-12
UL	10	300	D	26-12
CSA	10	300	B,D,E	26-12

\* UL: 24-26 AWG range for factory wiring only.

**Screw Tightening Torque:**

UL: 4.5 lbf·in  
CSA: 0.51 Nm

**International Approvals:**



**Rated Impulse Withstand Voltage: 2500 V**

**Description**

**Material**

- Plug
- Plug-In Direction Perpendicular to PCB and Wire Entrance 45° to PCB when plugged with **121-M-121 /-221**, **121-M-161 /-261** and **121-M-191 /-291**

### Technical Data

**Center to Center Spacing:** 5.08 mm (0.200 in.)  
**Nominal Cross Section:**  
 2.5 mm<sup>2</sup> (3874 mils<sup>2</sup>)  
**Wire Stripping Length:** 7 mm (0.28 in.)

### Illustration



Coding keys **120-K** are available to prevent the insertion of the wrong plug into a header. These are usually field inserted but can be factory installed if required.

[Top of page](#)

**Molding:** Polyamide, self extinguishing UL 94, V-0, color grey

**Temperature limits:**

**Short Time:** 140°C (284°F)

**Continuous:** RTI 105°C (221°F)

**Low Limit:** -40°C (-40°F)

**Comparative Tracking Index:** CTI > 600

**Oxygen Index Rating:** 33%

**Terminal Body:** Nickel plated copper alloy

**Wire Protector and Contact Spring:** Tin plated copper alloy

**Screw:** M3, Slotted head, zinc plated blue passivated, steel substrate

### How to order

**Item** 121-C-111

**Options**

- BS: Copper Alloy Screw
- CN: Consecutive Numbering (hot stamped numbers)
- SM: Special Marking (please provide sketch)
- PS: Clear Chromate Passivated, zinc plated, Steel Screws
- G05: Gold Plating (5 micro inches)
- G30: Gold Plating (30 micro inches)
- S30: Silver Plating (30 micro inches)

**Note:** Plated component: contact spring

**Ordering Note:** Voltage rating for 0.4 in. spacing is UL certified for 15A - 300V / C and for 5A - 600V / D and CSA certified for 600 / D,E (121-C-112).

121-C-111/

POLES:  
02 to 24

[Request sample](#)

[Request quote](#)

Quantity

**Accessories**

[BST Self Adhesive Marking Strips.](#)

[Consecutively numbered.](#)

[Jumper, Type 970-J1.](#)

[Add to shopping cart](#)