



## Plug-in Screw Connector System for Printed Circuit Boards

### TYPE 115-F-118

5 mm spacing - 2 to 12 poles

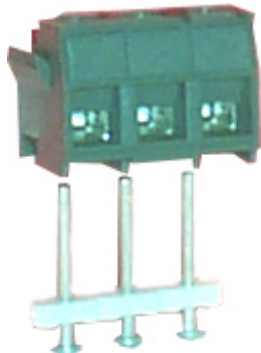


[Distributor Stock Check](#)

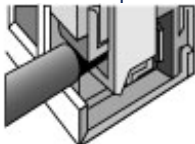
<a href="#">Series</a>	<a href="#">Download PDF</a>	<a href="#">3D Model</a>	<a href="#">Can plug with</a>	<a href="#">How to order</a>	<a href="#">Color specifications</a>	<a href="#">Print</a>
------------------------	------------------------------	--------------------------	-------------------------------	------------------------------	--------------------------------------	-----------------------



115-F-118



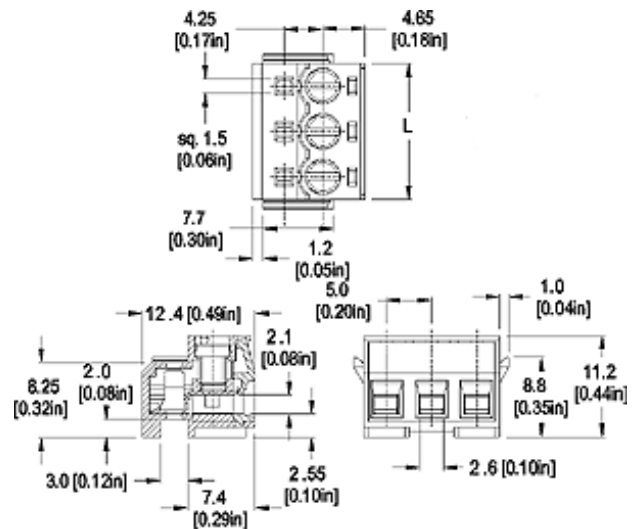
One possible variation of assembly



Elevator Style Clamping



RoHS WEEE Pb free compliant



Dimensions: mm (in.)

When locating connector, allow 0.5 mm clearance around it for process-induced variations.

### Approval Information

Rating	Current(A)	Voltage(V)	Application group	AWG
UL	12	300	B	26-14
UL	10	300	D	26-14
CSA	15	300	B, D	26-14

### Screw Tightening Torque:

UL: 2.0 lbf·in

CSA: 0.2 Nm

Rated Impulse Withstand Voltage: 2500 V

### Description

### Material

The 115-F is part of the plug-in screw connector family with an elevator style clamping mechanism. It was developed as an alternative to 950-FL connector types.

The 115-F-118 is a version with lateral hooks on each sidewall making installation on devices equipped with a snap-in feature possible. The footprint is designed towards making a perfect match with 971-SLK type pinstrips.

- Plug
- Solid version
- low profile
- Plug-In Direction Perpendicular to PCB and Wire Entrance Parallel to PCB when plugged with **971-SLK /-SLS /-SLW, 971-SLK-SMD, 971-SLK-THR, 971-SLK-CPL, 971-SLT-SMD**
- Elevator Style Clamping mechanism

### Technical Data

**Center to Center Spacing:** 5 mm (0.197 in.)

**Nominal Cross Section:**

2.1 mm<sup>2</sup> (3255 mils<sup>2</sup>)

**Wire Stripping Length:** 6.5 mm (0.25 in.)

**Molding:** Polyamide, self extinguishing UL 94, V-0, color grey

**Temperature limits:**

**Short Time:** 140°C (284°F)

**Continuous:** RTI 105°C (221°F)

**Low Limit:** -40°C (-40°F)

**Comparative Tracking Index:** CTI > 600

**Oxygen Index Rating:** 32%

**Terminal Body:** Nickel plated copper alloy

**Contact Spring:** Tin plated copper alloy

**Screw:** M3, Zinc plated blue passivated or tin plated

[Top of page](#)

### How to order

**Item** 115-F-118

**Options**

CN: Consecutive Numbering (hot stamped numbers)

SM: Special Marking (please provide sketch)

115-F-118/

POLES:  
02 to 12

[Request sample](#)

[Request quote](#)

Quantity

**Accessories**

[Add to shopping cart](#)