



Euro-Style Terminal Blocks

TYPE 4010-B / 4011-B (-HDS)

18 mm and 18.3 mm spacing - 2 and 3 poles

[Inventory Check](#)

Series	Download PDF	3D Model	Can plug with	How to order	Print
--------	--------------	----------	---------------	--------------	-------



RoHS WEEE Pb free compliant

Description

The porcelain molding for these terminal blocks was designed to provide excellent resistance to high temperatures and the ability to allow high current voltage ratings.

Series 401-B can accept up to 61 amperes at 500 volts because of its 18 mm spacing and heavy duty metal components. 4010-B: recommended mounting hardware: M5 cheese head screw (#10-24 fillister head screw), 4011-B: recommended mounting hardware: M4 cheese head screw (#8-32 fillister head screw)

- Ceramic Terminal Block
- High Profile, Heavy Duty

Technical Data

Center to Center Spacing: 3 poles: 18 mm (0.71 in.) 2 poles: 18.3 mm (0.72 in.)

Nominal Cross Section:

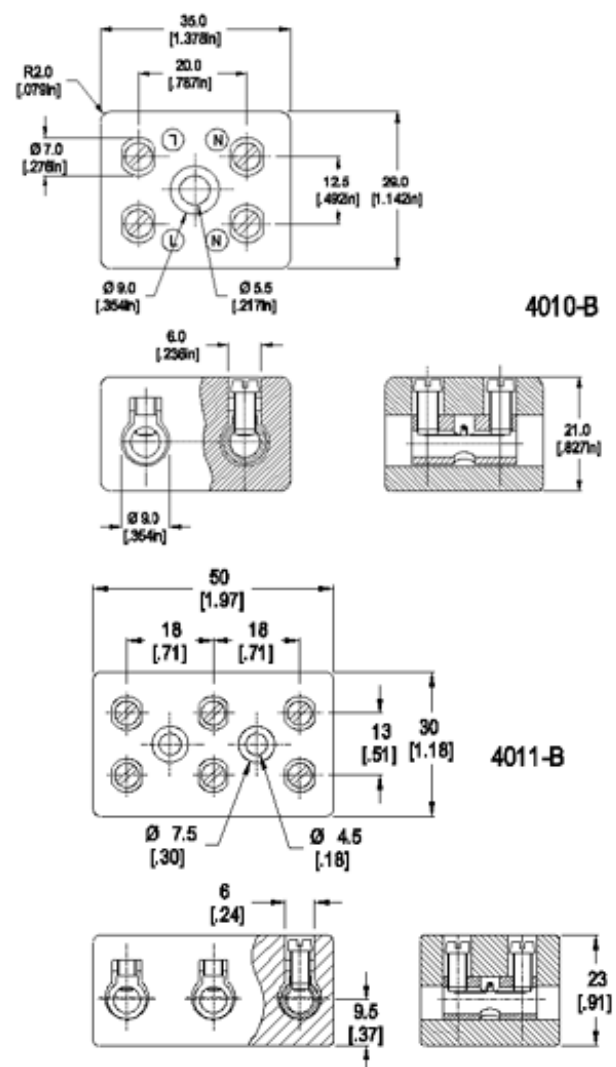
10 mm² (15498 mils²)

Wire Stripping Length: 9 mm (0.35 in.)

(maximum load at 40°C (104°F) ambient temperature)

Recommended operating

Voltage: 500 V



Dimensions: mm (in.)

Length of Connector (L)

L = 35 (1.38) 2 pole / 50 (1.97) 3 pole

When locating connector, allow 0.5 mm clearance around it for process-induced variations.

Approval Information

Rating	Current(A)	Voltage(V)	Application group	AWG
UL CSA	50	600	B,C,D	14-8

Screw Tightening Torque:
10

International Approvals:



Material

Molding: Unglazed porcelain KER 111, DIN 40685, color white

Temperature upper limit: 200°C (392°F)

Terminal Body: Nickel plated brass

Wire Protector: Stainless steel

Screw: M4 or M5, Zinc plated blue passivated, steel substrate

 [Top of page](#)

How to order

Item **4010-B /4011-B (-HDS)**

Options

G05: Gold Plating (5 micro inches)
G30: Gold Plating (30 micro inches)
S30: Silver Plating (30 micro inches)

Ordering Note: Plated component: terminal body

401	POLES: 2 poles: 0 3 poles: 1	-B	WIRE PROTECTOR: with: - HDS
------------	---------------------------------	----	--------------------------------

Request sample

Request quote

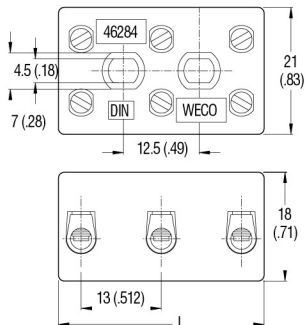
Quantity

Accessories

Add to shopping cart

Series DIN-46284-ST

Type DIN-46284-ST (-HDS)
13 mm spacing • 2 and 3 poles



*Dimensions: mm (in.) When locating connector, allow 0.5 mm clearance around it for process-induced variations.
Length of Connector (L) L = 20 (0.79) 2 pole / 34 (1.33) 3 pole*

DESCRIPTION

The porcelain molding for these terminal blocks was designed to provide excellent resistance to high temperatures and the ability to allow high current voltage ratings.

The DIN-46284 standard pertains to two- and three-pole appliance terminals with 380 V AC and 440 V DC They are supplied with a stainless steel wire protector to prevent damage to stranded wiring.

Recommended mounting hardware: M4 cheese head screw (#8-32 fillister head screw).

TECHNICAL DATA

Center to Center Spacing: 13 mm (0.512 in.) Wire Stripping length: 7 mm (0.28 in.)
Nominal Cross Section: 2.5 mm² (3874 mils²)

APPROVAL INFORMATION

	Rating	Current (A)	Voltage (V)	AWG	Application Group	Screw Tightening Torque
File No.: LR24322	CSA	20	300	18-12	B,C,D,E	max. 0.51 Nm
International Approvals:						

MATERIAL

MOLDING: Porcelain KER 111, DIN 40685, white
TEMPERATURE LIMITS: Upper Temperature Limit: 200°C (392°F)
Terminal Body: nickel plated brass
Wire Protector: stainless steel
Screw: yellow chromate passivated, zinc plated, steel, M3

OPTIONS See How to Order. If more than one option is required, please separate each option with a dash (-).

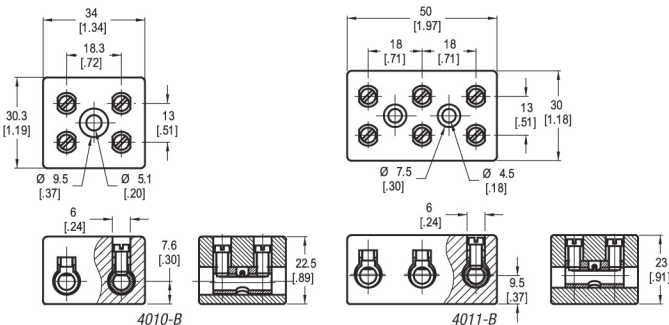
- BS: Brass Screws
- G05: Gold Plating (5 micro inches)
- G30: Gold Plating (30 micro inches)

HOW TO ORDER

POLES:	WIRE PROTECTOR:	OPTIONS:
2 and 3	with: - HDS	BS, G05, G30, S30
-DIN-46284-ST		

Series 401-B

Type 4010-B /4011-B (-HDS)
18 mm and 20 mm spacing • 2 and 3 poles



*Dimensions: mm (in.) When locating connector, allow 0.5 mm clearance around it for process-induced variations.
Length of Connector (L) L = 35 (1.38) 2 pole / 50 (1.97) 3 pole*

DESCRIPTION

The porcelain molding for these terminal blocks was designed to provide excellent resistance to high temperatures and the ability to allow high current voltage ratings.

Series 401-B can accept up to 61 amperes at 500 volts because of its 18 mm spacing and heavy duty metal components. 4010-B: recommended mounting hardware: M5 cheese head screw (#10-24 fillister head screw), 4011-B: recommended mounting hardware: M4 cheese head screw (#8-32 fillister head screw).

TECHNICAL DATA

Center to Center Spacing: 18 mm (0.71 in.) for three poles - 20 mm (0.79 in.) for two poles
Wire Stripping length: 9 mm (0.35 in.)
Nominal Cross Section: 10 mm² (15498 mils²)
Recommended operating current voltage and wire range: 500 V (maximum load at 40°C (104°F) ambient temperature)

APPROVAL INFORMATION

	Rating	Current (A)	Voltage (V)	AWG	Application Group	Screw Tightening Torque
File No.: E69841	UL	50	600	14-8	B,C,D	max. 10 lbf.in.
International Approvals:						

MATERIAL

MOLDING: Porcelain KER 111, DIN 40685, white
TEMPERATURE LIMITS: Upper Temperature Limit: 200°C (392°F)
Terminal Body: nickel plated brass
Wire Protector: stainless steel
Screw: yellow chromate passivated, zinc plated, steel, M4

OPTIONS See How to Order. If more than one option is required, please separate each option with a dash (-).

- G05: Gold Plating (5 micro inches)
 - G30: Gold Plating (30 micro inches)
 - S30: Silver Plating (30 micro inches)
- Note: Plated component: terminal body

HOW TO ORDER

POLES:	WIRE PROTECTOR:	OPTIONS:
2 poles: 0 3 poles: 1	with: - HDS	G05, G30, S30
401 -B		