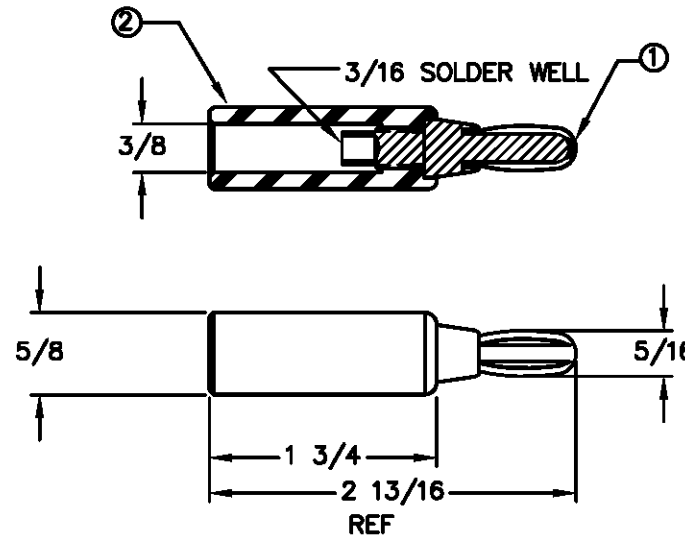


**BILL OF MATERIAL**

DET	QTY	DESCRIPTION	MATERIAL	PLATE
1	1	GIANT BANANA PLUG	SEE DRAWING	NICKEL
2	1	HANDLE	DELTRIN	NA
285 SUB ASSEMBLY				
1	1	SPRING-CONTACT	BeCu	-
1	1	BODY	BRASS 360	-

**REVISIONS**

SYM	DESCRIPTION	REVISED BY	DATE	APPR



PART NO	COLOR
285-102	RED
285-103	BLACK

ELECTRICAL RATINGS  
25 AMPS  
2 KV

MATERIAL: SEE TABLE			FINISH: NA			<b>ABBATRON</b> Electronic Connectors and Hardware 632 Arch Street, Meadville, Pa. 16335			
DIMENSIONAL TOLERANCES UNLESS OTHERWISE SPECIFIED			TITLE: 285-10X INSULATED GIANT BANANA PLUG						
XX	XXX	XXX	DRAWN: T. LORD DATE: 5/20/03			SIZE	DRAWING NUMBER		ISSUE
---	---	---	CHECKED: T. LORD DATE: 5/20/03			B	SMP-00425		A
FRACTIONS	ANGLES	SCALE	APPROVED: T. LORD DATE: 5/20/03						
---	---	1:1	PLOT SCALE: 1=1						