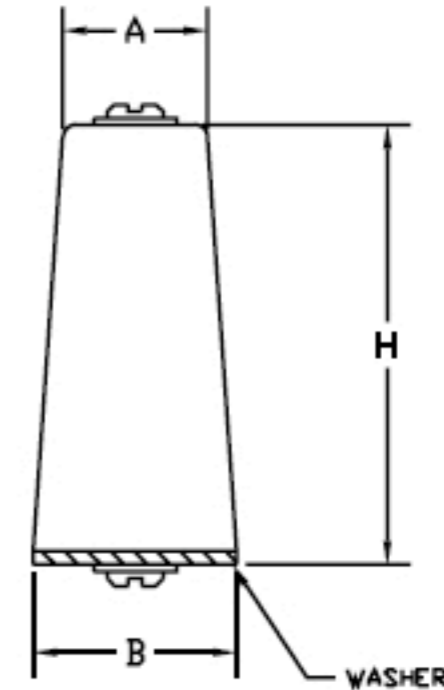


High Voltage Insulators

High Voltage Insulators

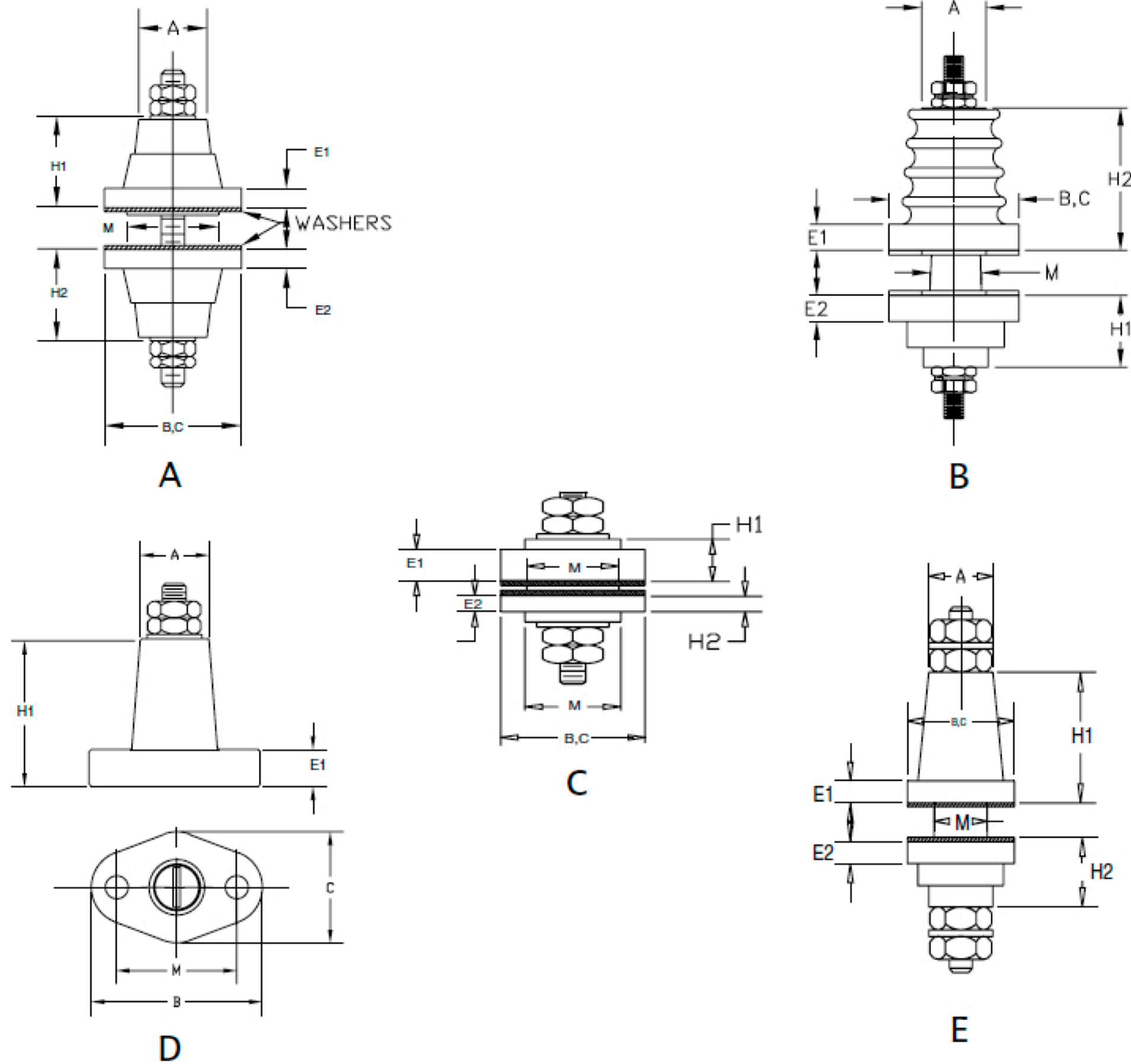
- Abbatron High Voltage Insulators are ideal for high-voltage, high-temperature standoff and/or feed-thru applications. They are not intended for high-vacuum or hermetically sealed use, nor with heavy shear loads.
- Temperature ratings recommend Steatite safe operation to 1800°F (980°C). Cushion washers may further limit operating temperature.
- Voltage ratings (recommended in table) are specified under clean, dry conditions only. Moisture and/or dirt will de-rate up to 50%.
- Nominal operating current, limited by hardware size, shown for AC, 60Hz, 10°C rise.
- These insulators are made from Grade L-5 Steatite per MIL-I-10E. Hardware is nickel plated brass except for solder lugs, which are tin plated. Cushion washers are "Champak", compressed paper or cork.



| PART NO. | VOLT RATING | MIN. DIA. A | MIN. DIA. B | HEIGHT H | SCREW SIZE |
|----------|-------------|-------------|-------------|----------|------------|
| 9500 | 3 KV | 7/16 | 5/8 | 21/32 | 6-32 |
| 9501 | 4 KV | 1/2 | 3/4 | 1-1/32 | 8-32 |
| 9502 | 5 KV | 1/2 | 1 | 1-9/16 | 8-32 |
| 9503 | 10 KV | 5/8 | 1-1/8 | 2-1/16 | 10-32 |

Steatite Material Specifications:

- Water absorption 0.05% maximum
- 2600°C softening temperature
- Coefficient of Expansion 7.5 (In/In. per °C x 10⁻⁶)
- Dielectric strength 250 Volts per mil.
- .003 power factor at 1MHz
- Clear glaze finish over creamy white colored Steatite material.



All insulators are supplied with hardware shown.

| PART NO. | FIG. | VOLT RATING | HEIGHT | | HEIGHT | | MIN. DIA. A | FLANGE WIDTH | | MOUNTING M | SCREW THD SIZE | STUD LENGTH |
|----------|------|-------------|--------|------|--------|------|-------------|--------------|-------|------------|----------------|-------------|
| | | | H1 | H2 | E1 | E2 | | B | C | | | |
| 9524 | D | 1KV | 5/8 | | 3/32 | | 13/64 | 1 | 7/32 | 11/16 | 6-32 | 13/64 |
| 9555AD | C | | 1/4 | 5/32 | 3/16 | 3/32 | 1/2 | 3/4 | 3/4 | 1/2 | | 1-1/4 |
| 9550AA | A | | 1/2 | 1/2 | 1/8 | 1/8 | 3/8 | | | | | 2 |
| 9522 | D | 3KV | 1 | | 7/64 | 7/64 | 15/32 | 1-5/32 | 19/64 | 13/16 | 10/32 | 1/4 |
| 9542AA | E | | 7/8 | 3/8 | 1/8 | 1/8 | 1/2 | 3/4 | 3/4 | 3/8 | | 2-3/8 |
| 9551AB | A | | 27/32 | | | | 5/8 | 1-1/4 | 3/16 | 7/8 | | 2-7/8 |
| 9540AB | E | 5KV | 1-1/4 | | 1/2 | | 19/32 | 15/16 | | 7/16 | 1/4-20 | W2-7/8 |
| 9545 | B | | 1-3/8 | | 11/16 | | 5/8 | 1-1/4 | 1/4 | 1/2 | | 3-1/2 |
| 9552AA | A | | 1-1/8 | | | | 7/8 | 1-3/4 | 1/4 | 1-1/4 | | 4-3/8 |