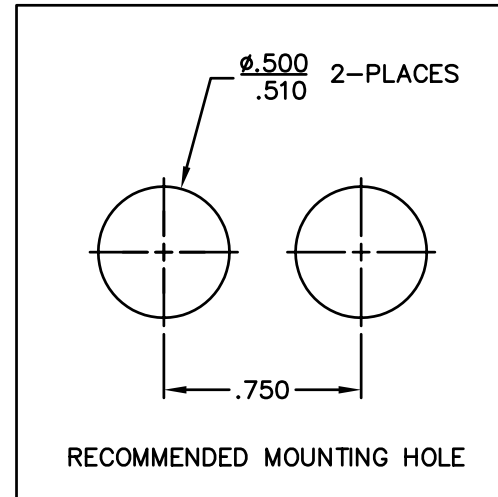


REVISIONS				
SYM	DESCRIPTION	REVISED BY	DATE	APPR



MATERIAL: SEE TABLE			FINISH: SEE TABLE			<b>ABBATRON</b> Electronic Connectors and Hardware 632 Arch Street, Meadville, Pa. 16335				
DIMENSIONAL TOLERANCES UNLESS OTHERWISE SPECIFIED			TITLE: 2713 SPRING LOADED BINDING POST ASSY.							
.XX	.XXX	.XXXX	FRACCTIONS	ANGLES	SCALE	DRAWN: T. LORD	DATE: 6/20/03	SIZE	DRAWING NUMBER	ISSUE
±.010	±.005	---	±1/64	±1°	2X	CHECKED: T. LORD	DATE: 6/20/03	B	SD-2713	C
HEAT TREAT: ---			PLOT SCALE: 1=1			APPROVED: T. LORD	DATE: 6/20/03			