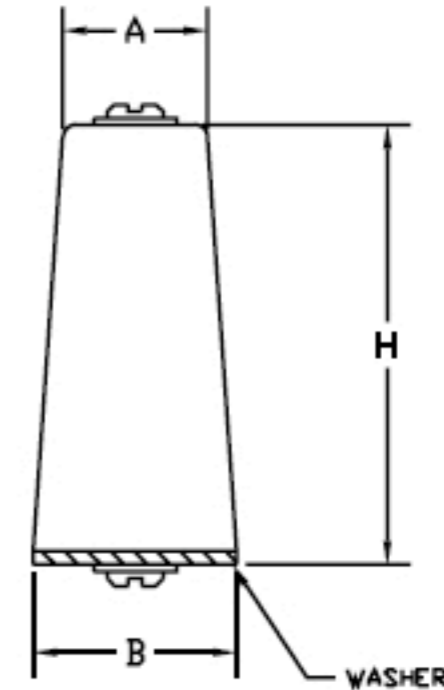


# High Voltage Insulators

## High Voltage Insulators

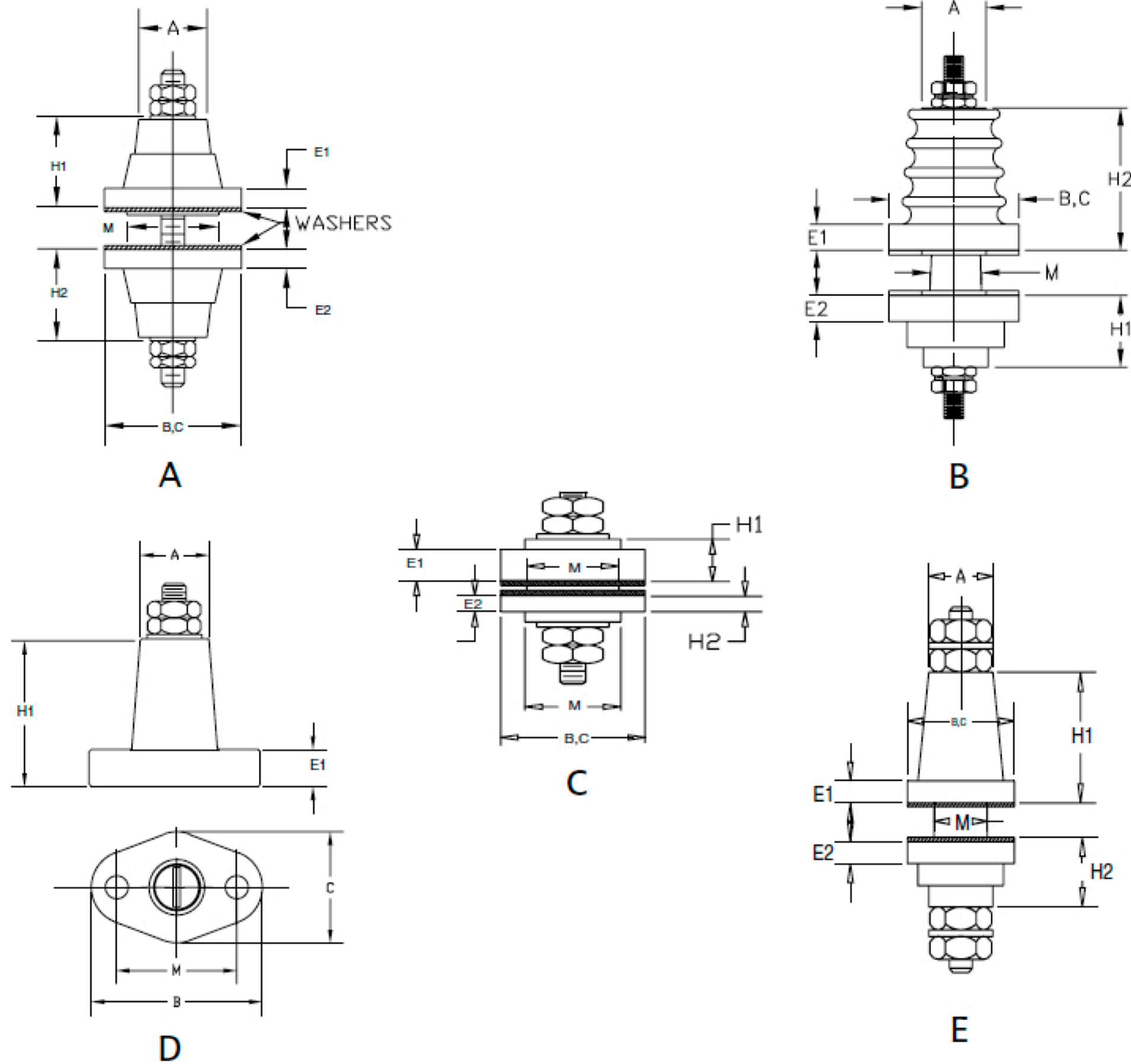
- Abbatron High Voltage Insulators are ideal for high-voltage, high-temperature standoff and/or feed-thru applications. They are not intended for high-vacuum or hermetically sealed use, nor with heavy shear loads.
- Temperature ratings recommend Steatite safe operation to 1800°F (980°C). Cushion washers may further limit operating temperature.
- Voltage ratings (recommended in table) are specified under clean, dry conditions only. Moisture and/or dirt will de-rate up to 50%.
- Nominal operating current, limited by hardware size, shown for AC, 60Hz, 10°C rise.
- These insulators are made from Grade L-5 Steatite per MIL-I-10E. Hardware is nickel plated brass except for solder lugs, which are tin plated. Cushion washers are "Champak", compressed paper or cork.



PART NO.	VOLT RATING	MIN. DIA. A	MIN. DIA. B	HEIGHT H	SCREW SIZE
9500	3 KV	7/16	5/8	21/32	6-32
9501	4 KV	1/2	3/4	1-1/32	8-32
9502	5 KV	1/2	1	1-9/16	8-32
9503	10 KV	5/8	1-1/8	2-1/16	10-32

### Steatite Material Specifications:

- Water absorption 0.05% maximum
- 2600°C softening temperature
- Coefficient of Expansion 7.5 (In/In. per °C x 10<sup>-6</sup>)
- Dielectric strength 250 Volts per mil.
- .003 power factor at 1MHz
- Clear glaze finish over creamy white colored Steatite material.



All insulators are supplied with hardware shown.

PART NO.	FIG.	VOLT RATING	HEIGHT		HEIGHT		MIN. DIA. A	FLANGE WIDTH		MOUNTING M	SCREW THD SIZE	STUD LENGTH
			H1	H2	E1	E2		B	C			
9524	D	1KV	5/8		3/32		13/64	1	7/32	11/16	6-32	13/64
9555AD	C		1/4	5/32	3/16	3/32	1/2	3/4	3/4	1/2		1-1/4
9550AA	A		1/2	1/2	1/8	1/8	3/8					2
9522	D	3KV	1		7/64	7/64	15/32	1-5/32	19/64	13/16	10/32	1/4
9542AA	E		7/8	3/8	1/8	1/8	1/2	3/4	3/4	3/8		2-3/8
9551AB	A		27/32				5/8	1-1/4	3/16	7/8		2-7/8
9540AB	E	5KV	1-1/4		1/2		19/32	15/16		7/16	1/4-20	W2-7/8
9545	B		1-3/8		11/16		5/8	1-1/4	1/4	1/2		3-1/2
9552AA	A		1-1/8				7/8	1-3/4	1/4	1-1/4		4-3/8