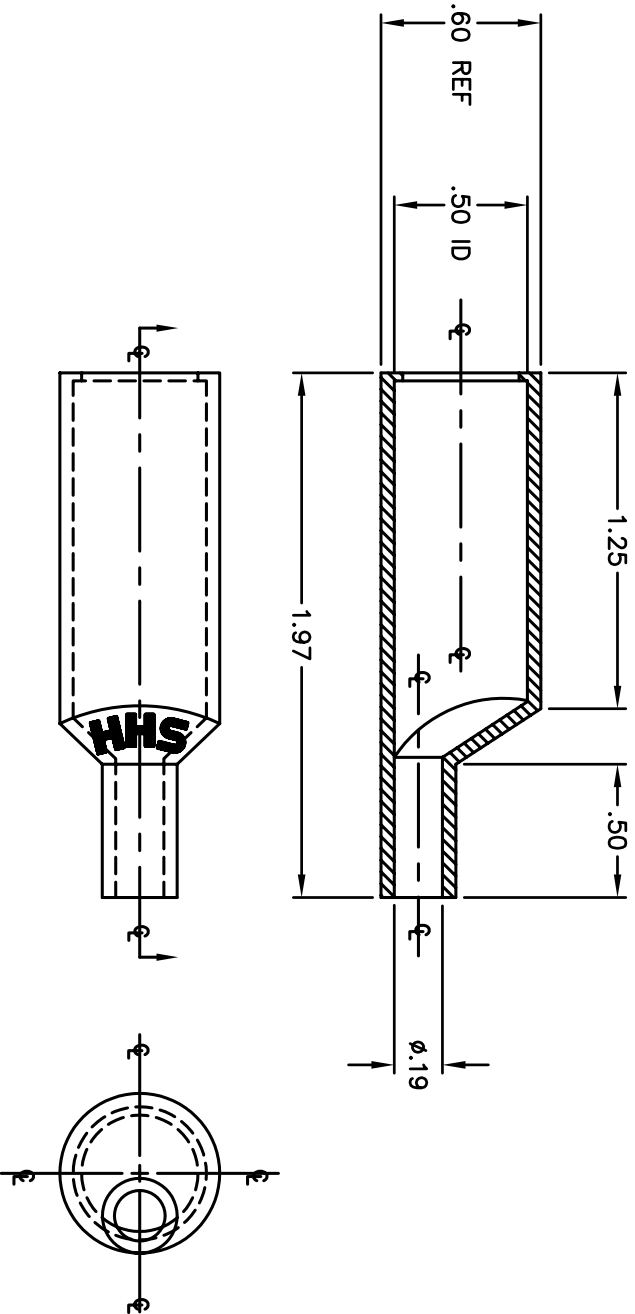


REVISIONS		REVISED DATE	APPR
SYM	DESCRIPTION		



PART NO.	COLOR
331-101	WHITE
331-102	RED
331-103	BLACK
331-104	GREEN
331-105	BLUE
331-107	YELLOW

MATERIAL: PVC		FINISH: -		HEAT TREAT: ---	
DIMENSIONAL TOLERANCES UNLESS OTHERWISE SPECIFIED		TITLE: 331		Electronic Connectors and Hardware	
XX	XXX	XXXX	STANDARD ALLIGATOR CLIP BOOT- INSULATOR		
FRAGMENTS	ANGLES	SCALE	13680 S. MOSERTOWN RD MEADVILLE, PA 16335		
---	---	2:1	DRAWN: T. LORD	DATE: 1/26/09	SIZE: B
SURFACE FINISH: 125		CHECKED: T. LORD		DATE: 1/26/09	DRAWING NUMBER: SD-331
APPROVED: T. LORD		DATE: 1/26/09	ISSUE: -		

THIS DRAWING AND THE INFORMATION THEREIN IS THE PROPERTY OF ABBATRON, LLC AND IS UNLAWFULLY REPRODUCED OR REPRODUCED THEREOF IS PROHIBITED.

ABBATRON