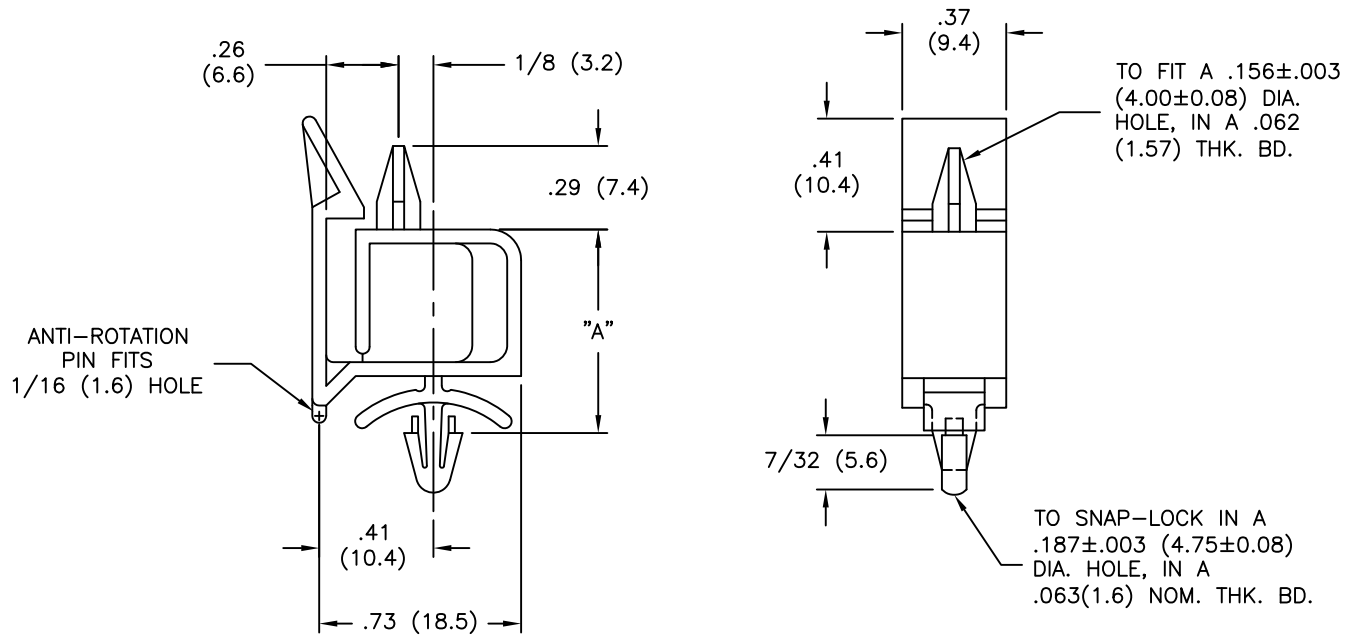


# AVAILABLE BY SPECIAL ORDER ONLY

PART NO.	"A"
PCBEH-7-01	.47 (11.9)
PCBEH-10-01	.66 (16.8)
PCBEH-14-01	.91 (23.1)



**NOTES:**

- MATERIAL: NYLON 6/6 (RMS-01),  
FLAME RETARDANT NYLON (RMS-19),  
AVAILABLE BY SPECIAL ORDER ONLY.
- COLOR: NATURAL

TITLE: PCB EDGE HOLDER			DWG IN IN (MM)		FINAL	
TOLERANCES UNLESS NOTED .XX=±.010 .XXX=±.005 FRAC=±1/64 ANG=±1°	FILE # PCBEH	DWN: P.B.	APP:	PART #		PRINT TYPE
	MAT'L: SEE NOTES	DT: 05-25-95	DT:	SEE TABLE		CA
	RE: RICHCO, INC.	RICHCO INC. PO BOX 804238, CHICAGO, 60680 (773) 539-4060				
C	CHANGED FILE NUMBER	SM 05.01.01				
B	MAT'L RMS-19 ADDED	J.L. 12.10.97				
A	CONVERTED TO ACAD	PB 05.25.95				
REV	DESCRIPTION	ENGR DATE				