

PSR-SCP- 24UC/URM4/5X1/2X2

Order No.: 2963734



<http://eshop.phoenixcontact.de/phoenix/treeViewClick.do?UID=2963734>

1 or 2-channel expansion module, 5 N/O contacts, 1 N/C contact, 1 check-back current path, undelayed for category 4 / EN 954-1, safe isolation, pluggable connecting terminal blocks, width: 35 mm



Commercial data

EAN	4017918591120
Pack	1 Pcs.
Customs tariff	85364900
Weight/Piece	0.3116 KG
Catalog page information	Page 30 (IF-2007)

Product notes

WEEE/RoHS-compliant since:
05/02/2008



<http://www.download.phoenixcontact.com>
Please note that the data given here has been taken from the online catalog. For comprehensive information and data, please refer to the user documentation. The General Terms and Conditions of Use apply to Internet downloads.

Technical data

Input data

Nominal input voltage U_N	24 V AC/DC
Input voltage range in reference to U_N	0.8 ... 1.1
Typical input current at U_N	47 mA (per channel)
Typical response time	20 ms

Typical release time	20 ms
Concurrence input 1/2	Infinite

Output data

Contact type	5 enabling current paths, 1 signaling current path, 1 checkback current path
Contact material	AgSnO ₂ , + 0.2 µm Au
Maximum switching voltage	250 V AC/DC
Minimum switching voltage	15 V AC/DC
Limiting continuous current	6 A (N/O contact) 3 A (N/C contact 11/12)
Maximum inrush current	6 A 3 A (N/C contact 11/12)
Inrush current, minimum	25 mA
Sq. Total current	$72 \text{ A}^2 (I_{TH}^2 = I_1^2 + I_2^2 + \dots + I_5^2)$
Interrupting rating (ohmic load) max.	144 W (24 V DC, τ = 0 ms, N/C contact 11/12: 72 W) 288 W (48 V DC, τ = 0 ms, N/C contact 11/12: 144 W) 110 W (110 V DC, τ = 0 ms) 88 W (220 V DC, τ = 0 ms) 1500 VA (250 V AC, τ = 0 ms, N/C contact 11/12: 750 VA)
Maximum interrupting rating (inductive load)	42 W (24 V DC, τ = 40 ms) 42 W (48 V DC, τ = 40 ms) 42 W (110 V DC, τ = 40 ms) 42 W (220 V DC, τ = 40 ms)
Switching capacity min.	0.4 W
Output fuse	6 A 4 A circuit-breaker C

General data

Length	99 mm
Width	35 mm
Height	114.5 mm
Ambient temperature (operation)	-20 °C ... 55 °C
Ambient temperature (storage/transport)	-20 °C ... 70 °C
Service life mechanical	Approx. 10 ⁷ cycles
Mounting position	Any
Category in acc. with EN 954-1	4

Stop category	0
Name	Air and creepage distances between the power circuits
Standards/regulations	DIN EN 50178/VDE 0160
Rated surge voltage / insulation	4 kV / basic insulation (safe isolation, increased insulation and 6 kV between input circuit and output contact current paths (43/44, 53/54, 63/64, 71/72) and the output contact current paths (43/44, 53/54, 63/64, 71/72) themselves.)
Rated insulation voltage	250 V
Pollution degree	2
Surge voltage category	III

Connection data

Conductor cross section solid min.	0.2 mm ²
Conductor cross section solid max.	2.5 mm ²
Conductor cross section stranded min.	0.2 mm ²
Conductor cross section stranded max.	2.5 mm ²
Conductor cross section AWG/kcmil min.	24
Conductor cross section AWG/kcmil max	12
Stripping length	7 mm
Screw thread	M3
Type of connection	Screw connection

Certificates / Approvals

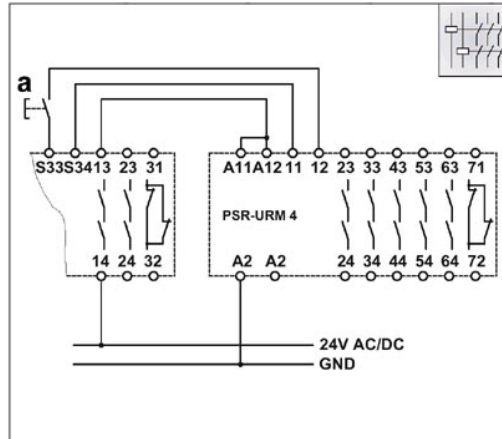
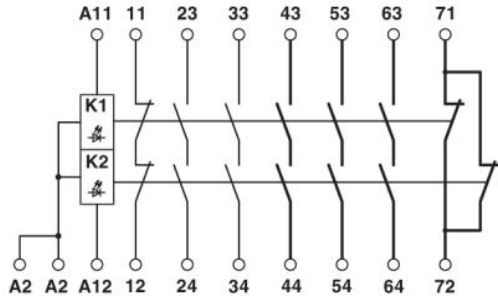


Certification CUL Listed, GOST, UL Listed

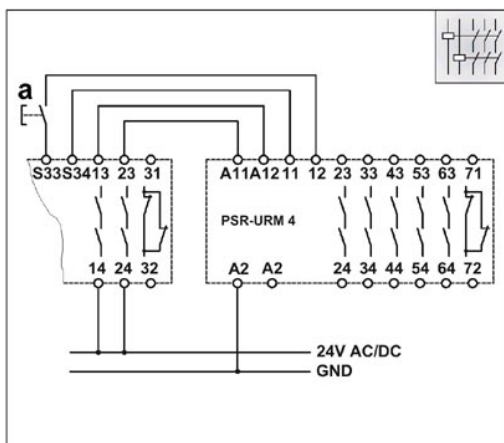
Certifications applied for: BG

Drawings

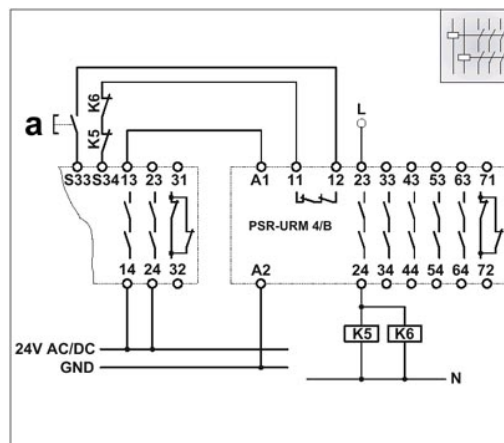
Circuit diagram



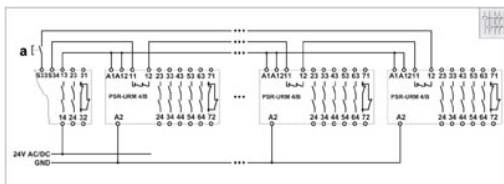
a = RESET
 One-channel connection with checkback path 11/12 integrated in the basic device, suitable up to safety category 4.



a = RESET
 Two-channel connection with checkback path 11/12 integrated in the basic device, suitable up to safety category 4.



a = RESET
 One-channel connection with checkback path 11/12 integrated in the basic device, suitable up to safety category 2/4. Depends on the basic device. With externally monitored contacts.



a = RESET
 One-channel connection with checkback path 11/12 integrated in the basic device, suitable up to safety category 2/4. Depends on the basic device. Connection of several expansion modules.