

Please note that the data given here has been taken from the online catalog. For comprehensive information and data, please refer to the user documentation at <http://www.download.phoenixcontact.com>. The General Terms and Conditions of Use apply to Internet downloads.

▶ Extract from the online catalog



Optical fiber converter, for converting 10BASE-T to polymer and HCS fiber, (660 nm), F-SMA FO connection, rail-mountable, supply 24 V DC

Order No.	2744513
Ord designation	FL MC 10BASE-T/FO POF
Additional information	This item is no longer available. Should you have any questions, please contact our Sales Team.
EAN	4017918190798
Pack	1 Pcs.
Customs tariff	85176200
Weight/Piece	0.1709 KG
Catalog page information	Page 394 (IF-2005)

▶ Technical data

Serial interface

Interface 1	Ethernet interface, 10BASE-T
Data rate	10 MBit/s
Type of connection	RJ45 female connector, shielded
Signal LEDs	Activity, link status
Serial transmission rate	10 Mbps

Optical interface FO

Transmit capacity, minimum	Min. -7.7 dBm ((980/1000 μ m) dynamic in link mode (average))
Transmit capacity, minimum	Min. -18.4 dBm ((200/230 μ m) dynamic in link mode (average))
Transmit capacity, minimum	Min. -4.7 dBm ((980/1000 μ m) static)
Transmit capacity, minimum	Min. -15.4 dBm ((200/230 μ m) static)
Transmit capacity, maximum	Max. -4.6 dBm ((980/1000 μ m) dynamic in link mode (average))
Transmit capacity, maximum	Max. -9.7 dBm ((980/1000 μ m) dropped, dynamic in link mode (average))
Transmit capacity, maximum	Max. -13.1 dBm ((200/230 μ m) dynamic in link mode (average))
Transmit capacity, maximum	Max. -1.6 dBm ((980/1000 μ m) static)
Transmit capacity, maximum	Max. -5.6 dBm ((980/1000 μ m) dropped, static)
Transmit capacity, maximum	Max. -10.1 dBm ((200/230 μ m) static)
Minimum receiver sensitivity	Min. -22.80 dBm ((980/1000 μ m) dynamic in link mode (average))
Minimum receiver sensitivity	Min. -19.80 dBm ((980/1000 μ m) static)
Minimum receiver sensitivity	Min. -25.90 dBm ((200/230 μ m) dynamic in link mode (average))
Minimum receiver sensitivity	Min. -22.90 dBm ((200/230 μ m) static)
Wave length	660 nm
Transmission length incl. 3 dB system reserve	Min. 50 m (With F-K 980/1000 230 dB/km with a quick mounting connector)
Transmission length incl. 3 dB system reserve	Min. 200 m (with F-S 200/230 10 dB/km)
Type of connection	F-SMA connector

Power supply

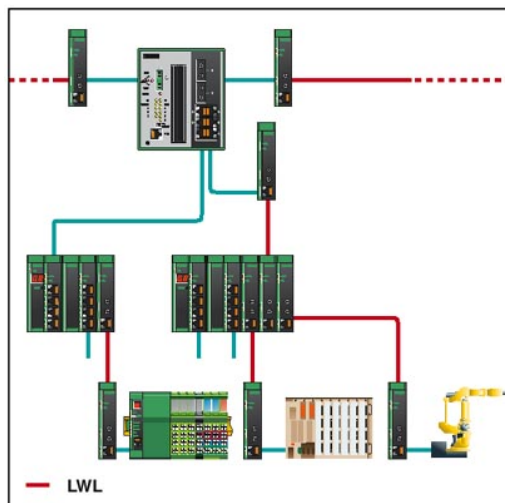
Nominal supply voltage	24 V DC \pm 20 %
Max. current consumption	50 mA
Type of connection	Pluggable COMBICON screw terminal block

General data

Length	99 mm
Height	120 mm
Width	22.5 mm
Ambient temperature (operation)	0 °C ... 55 °C
Electrical isolation	10 BASE-T // supply
Test voltage data interface/power supply	500 V
Electromagnetic compatibility	Conformance with EMC directive 89/336/EEC
Emitted interference	EN 50081-2
Immunity to interference	EN 61000-6-2
Degree of protection	IP20
Weight	120 g
Housing material	PA V0, color green
Color	green

▶ Drawings

Application drawing



Logo

Ethernet

► Accessories

Item	Designation	Description
Cable/conductor		
2744830	FL CAT5 FLEX	CAT5-SF/UTP cable (J-LI02YS(ST)C H 2 x 2 x 26 AWG), light-duty, flexible installation cable 2 x 2 x 0.14 mm ² , stranded, shielded, outer sheath: 5.75 mm ± 0.15 mm diameter
2744814	FL CAT5 HEAVY	CAT5-SF/UTP cable (J-02YS(ST)C HP 2 x 2 x 24 AWG), heavy-duty installation cable, 2 x 2 x 0.22 mm ² , solid conductor, shielded, outer sheath: 7.8 mm diameter, inner sheath: 5.75 mm ± 0.15 mm diameter
Plug/Adapter		
2744571	FL PLUG RJ45 GN/2	RJ45 connector, shielded, with bend protection sleeve, 2 pieces, green for crossed cables, for assembly on site. For connections that are crossed, it is recommended that the connector set with green bend protection sleeves is used.
2744856	FL PLUG RJ45 GR/2	RJ45 connector, shielded, with bend protection sleeve, 2 pieces, gray for straight cables, for assembly on site. For connections that are not crossed, it is recommended that you use the connector set with gray bend protection sleeve.
Tools		
2744869	FL CRIMPTOOL	Crimping pliers, for assembling the RJ45 connectors FL PLUG RJ45..., for assembly on site

► Address

PHOENIX CONTACT GmbH & Co. KG
Flachsmarktstr. 8
32825 Blomberg
Germany
Phone +49 5235 3 00
Fax +49 5235 3 41200
<http://www.phoenixcontact.de>
Phoenix Contact
Technical modifications reserved;