

Signal isolator - PI-EX-ME-2NAM/TO-A - 2835778

Please be informed that the data shown in this PDF Document is generated from our Online Catalog. Please find the complete data in the user's documentation. Our General Terms of Use for Downloads are valid (<http://phoenixcontact.com/download>)



Intrinsically safe NAMUR switching amplifier with active transistor output, 2-channel.

Product Features



Key commercial data

Packing unit	1 pc
Weight per Piece (excluding packing)	170.4 GRM
Custom tariff number	85438995
Country of origin	Germany

Technical data

Dimensions

Width	22.5 mm
Height	99 mm
Depth	114.5 mm

Ambient conditions

Ambient temperature (operation)	-20 °C ... 60 °C
Ambient temperature (storage/transport)	-25 °C ... 80 °C
Permissible relative humidity (operation)	< 75 % (annual average)
	< 95 % (30 days/year, non-condensing)

Input data

Non-load voltage	8.5 V DC
Switching points (attenuated)	< 1.55 mA (blocking)

Signal isolator - PI-EX-ME-2NAM/TO-A - 2835778

Technical data

Input data

Switching points (unattenuated)	> 1.75 mA (conductive)
---------------------------------	------------------------

Output data

Switching output	Transistor output, active, pnp
Configurable/programmable	Can be inverted via a switch in the front of the housing
Maximum switching voltage	24 V DC (internal)
Switching current	max. 100 mA (short-circuit resistant)

Power supply

Supply voltage range	20 V DC ... 30 V DC
Max. current consumption	< 45 mA (24 V DC)
Power consumption	0.5 W (per channel)

Connection data

Conductor cross section solid min.	0.2 mm ²
Conductor cross section solid max.	2.5 mm ²
Conductor cross section flexible min.	0.2 mm ²
Conductor cross section flexible max.	2.5 mm ²
Conductor cross section AWG min.	24
Conductor cross section AWG max.	14
Stripping length	8 mm
Screw thread	M3
Connection method	Pluggable screw connection
Tightening torque, min	0.5 Nm
Tightening torque max	0.6 Nm

General

No. of channels	2
Status display	Green LED (supply voltage) LED yellow (switching state) Red LED (line errors)
Inflammability class according to UL 94	V0
Standards/regulations	NAMUR recommendation NE 21
Housing material	Polyamide PA non-reinforced
Color	green
Designation	Input/output
Electrical isolation	375 V (Peak value, in acc. with EN 50020)
Designation	Input/power supply
Electrical isolation	375 V (Peak value, in acc. with EN 50020)

Signal isolator - PI-EX-ME-2NAM/TO-A - 2835778

Technical data

General

Conformance	CE-compliant
ATEX	# II (1)GD, [EEx ia] IIC, TÜV 00 ATEX 1527
UL, USA / Canada	cULus

Classifications

eCl@ss

eCl@ss 4.0	27210121
eCl@ss 4.1	27210121
eCl@ss 5.0	27210121
eCl@ss 5.1	27210121
eCl@ss 6.0	27210121

ETIM

ETIM 2.0	EC001430
ETIM 3.0	EC001599
ETIM 4.0	EC001599
ETIM 5.0	EC001599

UNSPSC

UNSPSC 6.01	30211506
UNSPSC 7.0901	39121008
UNSPSC 11	39121008
UNSPSC 13.2	39121008

Accessories

Accessories

Bridge

Wire bridge - DB 50- 90 BU - 2821180

Wire bridge, Color: blue



Signal isolator - PI-EX-ME-2NAM/TO-A - 2835778

Accessories

Wire bridge - DB 50- 90 BK - 2820916

Wire bridge, Color: black



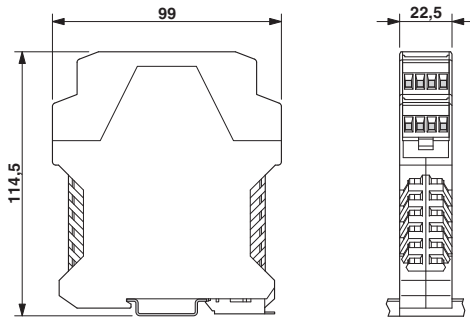
Wire bridge - DB 50- 90 GY - 2820929

Wire bridge, Color: gray

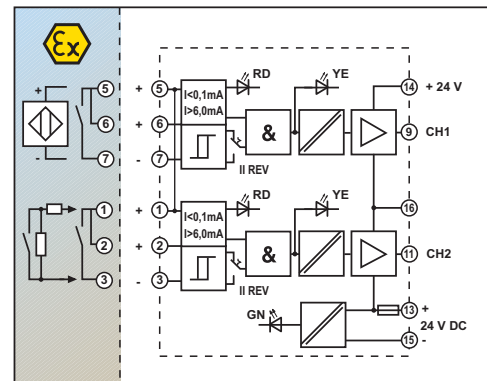


Drawings

Dimensional drawing



Block diagram



Block diagram PI-EX-ME-2NAM/TO-A