

Signal isolator - PI/EX-ME-ID-I/I - 2835448

Please be informed that the data shown in this PDF Document is generated from our Online Catalog. Please find the complete data in the user's documentation. Our General Terms of Use for Downloads are valid (<http://phoenixcontact.com/download>)



Output isolator, (analog OUT), output: intrinsically safe, input signal: 0(4) ... 20 mA, output signal: 0(4) ... 20 mA

Product Features



Key commercial data

Packing unit	1 pc
Weight per Piece (excluding packing)	171.7 GRM
Custom tariff number	85438995
Country of origin	Germany

Technical data

Dimensions

Width	22.5 mm
Height	99 mm
Depth	114.5 mm

Ambient conditions

Ambient temperature (operation)	-20 °C ... 60 °C
Ambient temperature (storage/transport)	-25 °C ... 80 °C
Permissible relative humidity (operation)	< 75 % (annual average)
	< 95 % (30 days/year, non-condensing)

Input data

Signal input	Current input
Current input signal	0 mA ... 20 mA

Signal isolator - PI/EX-ME-ID-I/I - 2835448

Technical data

Input data

	4 mA ... 20 mA
Input voltage limitation	5 V (at 50 mA)
Input resistance current input	100 Ω

Output data

Signal output	Intrinsically safe
Current output signal	0 mA ... 20 mA
	4 mA ... 20 mA
Load/output load current output	500 Ω

Power supply

Supply voltage range	20 V DC ... 30 V DC
Max. current consumption	< 60 mA (at 24 V DC/20 mA)
Power consumption	< 1.4 W

Connection data

Conductor cross section solid min.	0.2 mm ²
Conductor cross section solid max.	2.5 mm ²
Conductor cross section flexible min.	0.2 mm ²
Conductor cross section flexible max.	2.5 mm ²
Conductor cross section AWG min.	24
Conductor cross section AWG max.	14
Stripping length	8 mm
Screw thread	M3
Connection method	Pluggable screw connection
Tightening torque, min	0.5 Nm
Tightening torque max	0.6 Nm

General

No. of channels	1
Maximum transmission error	≤ 0.1 % (of final value)
Maximum temperature coefficient	< 0.01 %/K
Step response (10-90%)	100 ms
Status display	Green LED (supply voltage)
Inflammability class according to UL 94	V0
Standards/regulations	NAMUR recommendation NE 21
Housing material	Polyamide PA non-reinforced
Color	green
Line monitoring	NE 21

Signal isolator - PI/EX-ME-ID-I/I - 2835448

Technical data

General

Designation	Input/output/power supply
Electrical isolation	375 V (Peak value, in acc. with EN 50020)
Conformance	CE-compliant
ATEX	# II (1)GD, [EEx ia] IIC, TÜV 00 ATEX 1523
UL, USA / Canada	cULus

Classifications

eCl@ss

eCl@ss 4.0	27210121
eCl@ss 4.1	27210121
eCl@ss 5.0	27210121
eCl@ss 5.1	27210121
eCl@ss 6.0	27210121

ETIM

ETIM 2.0	EC001431
ETIM 3.0	EC001596
ETIM 4.0	EC001596
ETIM 5.0	EC001596

UNSPSC

UNSPSC 6.01	30211506
UNSPSC 7.0901	39121008
UNSPSC 11	39121008
UNSPSC 13.2	39121008

Accessories

Accessories

Bridge

Wire bridge - DB 50- 90 GY - 2820929

Wire bridge, Color: gray



Signal isolator - PI/EX-ME-ID-I/I - 2835448

Accessories

Wire bridge - DB 50- 90 BK - 2820916

Wire bridge, Color: black



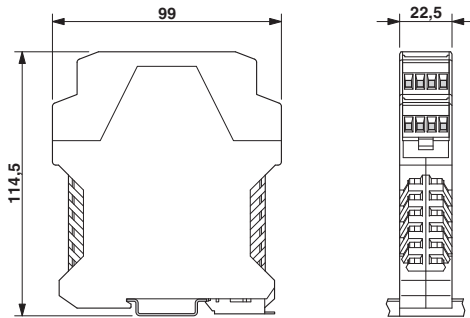
Wire bridge - DB 50- 90 BU - 2821180

Wire bridge, Color: blue

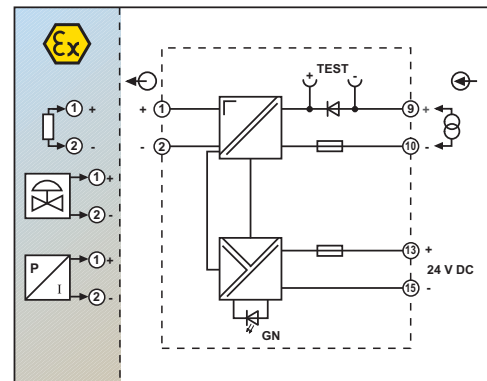


Drawings

Dimensional drawing



Block diagram



Block diagram PI-EX-ME-ID-I/I