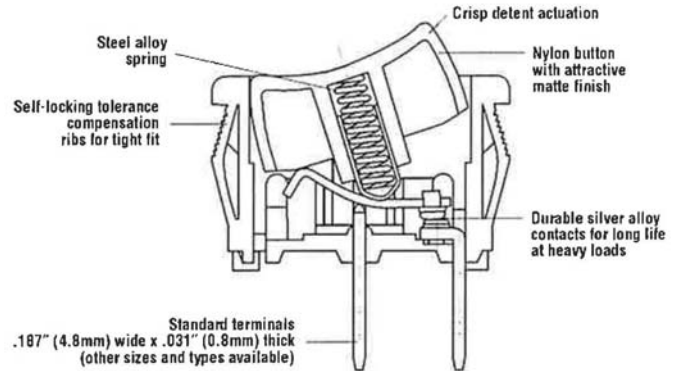


Single-Pole Round Rocker Switch SR Series



Features

- 20 amp switching in a compact design
- Self locking tabs and anti-rotation pin for snug fit
- Mechanical life: min. 50,000 operations

Electrical Ratings				
Switch Series	EN61058 Rating	UL1054 Rating	Electrical Life at Rated Load	
			According to VDE (Min. Operations)	According to UL (Min. Operations)
SR	N/A	20A, 125VAC; 12A, 250VAC	N/A	6,000

Electrical Specifications		Material Specifications	
Ratings:	20A, 125VAC; 12A, 250VAC	Actuator:	Nylon 66 94V-2
Dielectric Strength:	1000VAC for 1 minute	Base:	Nylon 66 94V-2
Insulation Resistance:	100M ohms min at 500VDC	Spring:	Steel Wire
Initial Contact Resistance:	0.020 ohms max	Contacts:	Silver Alloy
Temperature Range:	-20°C to + 65°C	Movable Arm:	Silver-Plated Copper Alloy
		Terminals:	Tin-Plated Copper Alloy



RoHS Compliant
UL File No: E23301

Specifications subject to change without notice.

