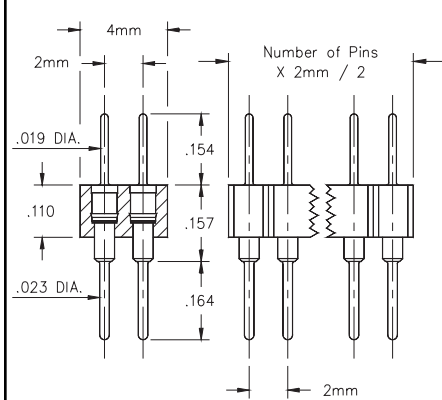
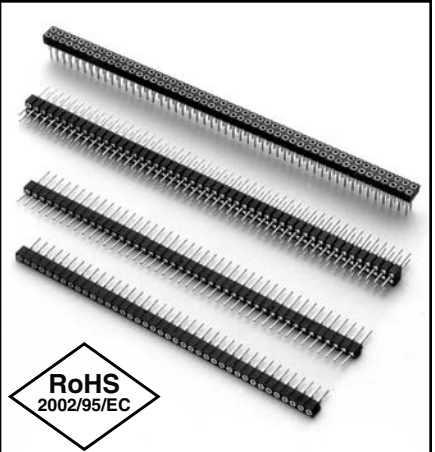


**Fig. 1**

- Series 830 single and double row interconnects have 2mm pin spacing and permit board stacking as low as .322".
- Pin headers (830 & 832 series) use MM #5012 pins. See page 175 for details.
- Sockets (831 & 833 series) use MM #1802 receptacles and accept pin diameters from .015"-.025". See page 140 for details.
- Insulators are high temp. thermoplastic, suitable for all soldering operations.



**Fig. 2**

### Ordering Information

**Fig. 1**

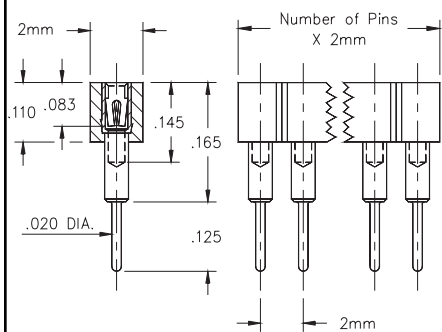
#### Single Row Pin Header

830-XX-0\_\_-10-001000  
Specify # of pins → 01-50

**Fig. 2**

#### Double Row Pin Header

832-XX-\_\_-10-001000  
Specify # of pins → 002-100



**Fig. 3**

*For Electrical, Mechanical & Environmental Data, See pg. 4*

*XX=Plating Code See Below*

*For RoHS compliance select ◇ plating code.*

SPECIFY PLATING CODE XX=	10◇	90	40◇	
Pin Plating	10μ" Au	200μ" Sn/Pb	200μ" Sn	

**Fig. 3**

#### Single Row Socket

831-XX-0\_\_-10-001000  
Specify # of pins → 01-50

**Fig. 4**

#### Double Row Socket

833-XX-\_\_-10-001000  
Specify # of pins → 002-100

*For Electrical, Mechanical & Environmental Data, See pg. 4*

*XX=Plating Code See Below*

*For RoHS compliance select ◇ plating code.*

SPECIFY PLATING CODE XX=		93		43◇	
Sleeve (Pin)		200μ" Sn/Pb		200μ" Sn	
Contact (Clip)		30μ" Au		30μ" Au	