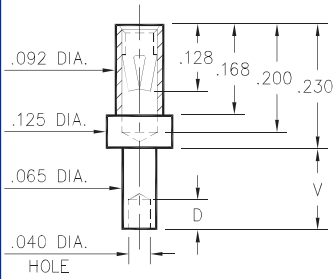


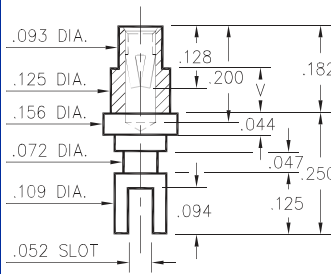
## 0344



| Basic Part Number | Board Thickness | Length V | Depth D |
|-------------------|-----------------|----------|---------|
| 0344-1            | .031            | .062     | .040    |
| 0344-2            | .062            | .094     | .062    |
| 0344-3            | .094            | .125     | .062    |
| 0344-4            | .125            | .156     | .062    |

**0344-X-19-XX-34-XX-10-0**  
Swage mount in .067 hole

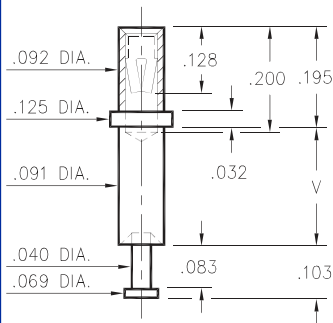
## 0349



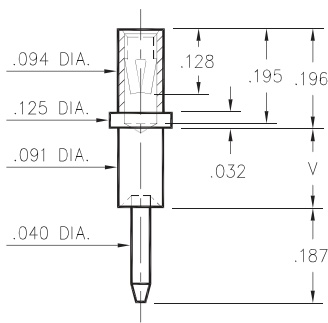
| Basic Part Number | Board Thickness | Length V |
|-------------------|-----------------|----------|
| 0349-2            | .062            | .094     |
| 0349-3            | .094            | .125     |
| 0349-4            | .125            | .156     |

**0349-X-31-XX-34-XX-10-0**  
Swage mount in .129 hole

## 0323/0324



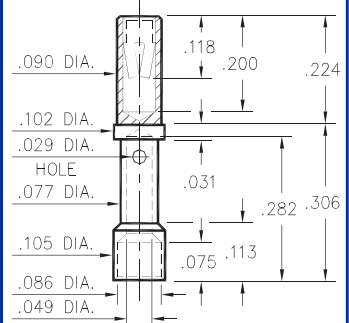
**0323-X-15-XX-34-XX-10-0**  
Swage mount in .094 hole



**0324-X-15-XX-34-XX-10-0**  
Swage mount in .094 hole

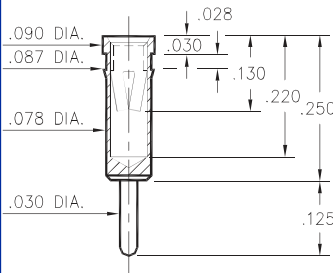
| Basic Part Number | Board Thickness | Length V |
|-------------------|-----------------|----------|
| 032X-1            | .031            | .062     |
| 032X-2            | .062            | .094     |
| 032X-3            | .094            | .125     |
| 032X-4            | .125            | .156     |
| 032X-5            | .188            | .219     |

## 0348



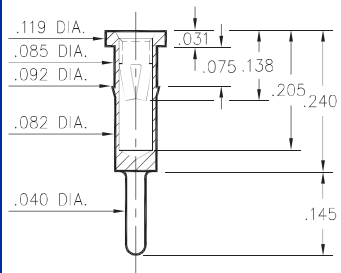
**0348-0-33-XX-34-XX-10-0**  
Wire Crimp Termination. Accepts wire sizes 20 AWG Max. / 24 AWG Min.

## 0405



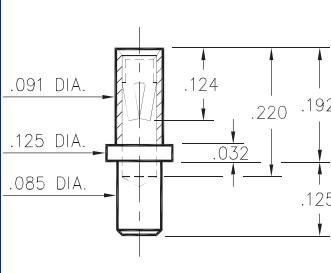
**0405-0-15-XX-34-XX-04-0**  
Press-fit in .084 mounting hole

## 0336



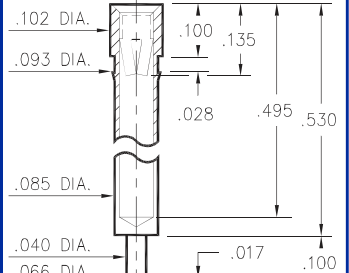
**0336-0-15-XX-34-XX-04-0**  
Press-fit in .089 mounting hole

## 0322



**0322-0-15-XX-34-XX-10-0**  
Solder mount in .089 min. mounting hole

## 0325



**0325-0-15-XX-34-XX-10-0**  
Press-fit in .090 mounting hole

### SPECIFICATIONS

**SHELL MATERIAL:**  
Brass Alloy 360, 1/2 Hard

**CONTACT MATERIAL:**  
Beryllium Copper Alloy 172, HT

**DIMENSION IN INCHES**  
**TOLERANCES ON:**  
LENGTHS: ±.005  
DIAMETERS: ±.002  
ANGLES: ± 2°

**ORDER CODE: XXXX - X - XX - XX - 34 - XX - XX - 0**

**BASIC PART #** →

**SPECIFY SHELL FINISH:**

- 01 200µ" TIN/LEAD OVER NICKEL
- ◇ 80 200µ" TIN OVER NICKEL (RoHS)
- ◇ 15 10µ" GOLD OVER NICKEL (RoHS)

**SPECIFY CONTACT FINISH:**

- 01 200µ" TIN/LEAD OVER NICKEL
- ◇ 80 200µ" TIN OVER NICKEL (RoHS)
- ◇ 27 30µ" GOLD OVER NICKEL (RoHS)



**CONTACT**

#34 CONTACT (DATA ON PAGE 224)