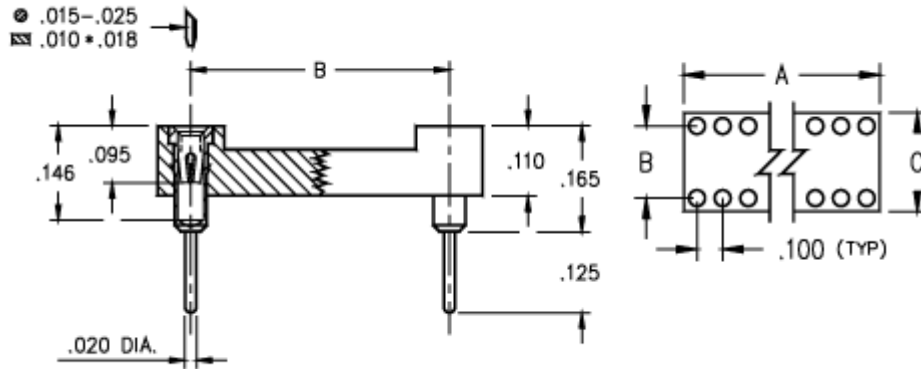


Product Number: 110-93-328-41-001000



**Description:**

DIP Socket  
Solder Tail  
Standard Solder Tail (0.125 Tail)  
Open Frame  
Through Hole  
Accepts .015-.025" Leads

**Plating Code:**

93

**Shell Plating:**

200 μ" Tin/Lead(93/7) over 100 μ" Nickel

**Inner Contact Plating:**

30 μ" Gold over 50 μ" Nickel

**Packaging:**

Packaged in Tubes

# Of Pins	A	B	C	Qty. per Tube	Mill-Max Part Number	RoHS Compliant
28	1.4	0.3	0.4	14	110-93-328-41-001000	NO

**CONTACT:**

Contact Used: #30, Standard 4 Finger Contact

Current Rating = 3 Amps

**BERYLLIUM COPPER ALLOY 172 (UNS C17200) per ASTM B 194**

**Properties of BERYLLIUM COPPER:**

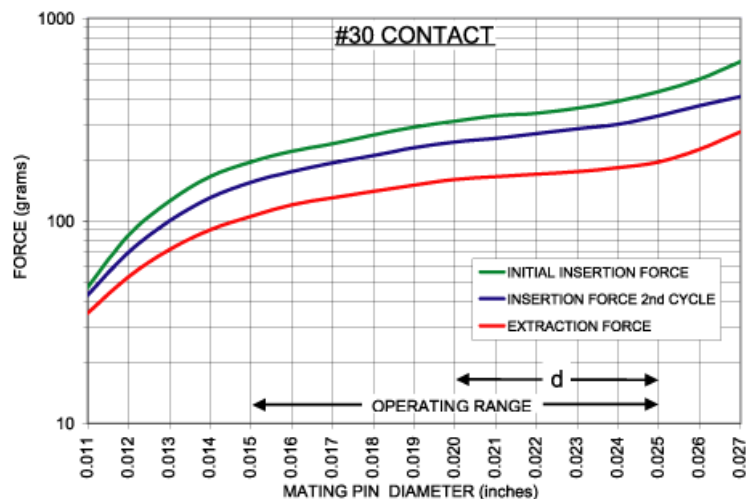
- Chemical composition: Cu 98.1%, Be 1.9%
- Temper as stamped: TD01

Properties after heat treatment (TH01):

- Hardness: 36-43 Rockwell C
- Mechanical Life: 100 Cycles Min.
- Density: .298 lbs/in<sup>3</sup>
- Electrical Conductivity: 22% IACS\*
- Resistance: 10 miliohms Max
- Operating Temperature: -55°C/+125°C
- Melting point: 980°C/865°C (liquidus/solidus)
- Stress Relaxation†: 96% of stress remains after 1,000 hours @ 100 °C ; 70% of stress remains after 1,000 hours @ 200 °C

\*International Annealed Copper Standard, i.e. as a % of pure copper.

†Since BeCu loses its spring properties over time at high temperatures; it is rated for continuous use up to 150°C. For applications up to 300°C, Mill-Max offers many contacts in Beryllium Nickel. Contact Tech Support for more info.



**LOOSE PIN:**

Loose Pin Used: 1001

**BRASS ALLOY** (UNS C36000) per ASTM B 16

**Properties of BRASS ALLOY:**

- Chemical composition: Cu 61.5%, Zn 35.4%, Pb 3.1%†
- Hardness as machined: 80-90 Rockwell B
- Density: .307 lbs/in<sup>3</sup>
- Electrical conductivity: 26% IACS\*
- Melting point: 900°C/885°C (liquidus/solidus)

†(3 to 4% lead is used to permit "free machining" and is permitted by EC Directive 2002/95Annex 6; so all pin materials are RoHS compliant)

\*International Annealed Copper Standard, i.e. as a % of pure copper.

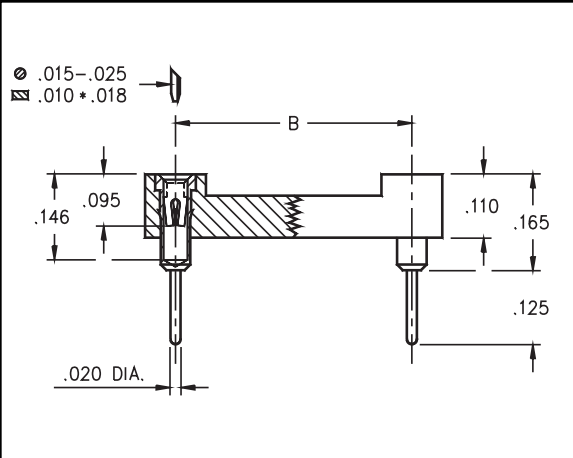
**INSULATOR INFORMATION:**

**PBT\*** Polyester, (Valox 420-SEO, black), Self-extinguishing, rated UL94V-0

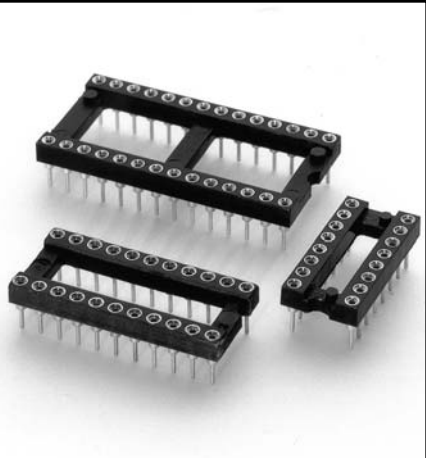
Standard Temperature

**Properties of PBT Polyester:**

- Brand: Valox
- Grade: 420-SEO
- Color: Black
- Rated voltage: 100 VRMS/150 VDC
- Insulation resistance: 10,000 Megaohms min.
- Dielectric strength: 1000 VRMS min. (700 VRMS min. for series 117 Shrink DIP)
- Material Heat Deflection Temp (per ASTM D 648): 420°F(216°C) @ 66 psi
- Resistant to detergents, mineral acids, solvents, greases and oils (short time)



- All DIP sockets accept .015 - .025" dia. and standard IC leads.
- Lubricated contacts also available. (See page 96 for specs.)
- Hi-Rel, 4-finger BeCu #30 clip rated at 3 amps. See page 208 for details.
- Uses Mill-Max #1001 pin. See page 134 for details.



Total number of pins				Quantity per tube	<h2>Ordering Information</h2>
	A	B	C		

10	0.5	0.2	0.3	40
4	0.2	0.3	0.4	102
6	0.3	0.3	0.4	67
8	0.4	0.3	0.4	50
10	0.5	0.3	0.4	40
14	0.7	0.3	0.4	28
16	0.8	0.3	0.4	25
18	0.9	0.3	0.4	22
20	1.0	0.3	0.4	20
22	1.1	0.3	0.4	18
24	1.2	0.3	0.4	16
28	1.4	0.3	0.4	14
20	1.0	0.4	0.5	20
22	1.1	0.4	0.5	18
24	1.2	0.4	0.5	16
28	1.4	0.4	0.5	14
32	1.6	0.4	0.5	12
24	1.2	0.6	0.7	16
28	1.4	0.6	0.7	14
32	1.6	0.6	0.7	12
36	1.8	0.6	0.7	11
40	2.0	0.6	0.7	10
42	2.1	0.6	0.7	9
48	2.4	0.6	0.7	8
50	2.5	0.6	0.7	8
52	2.6	0.6	0.7	7
50	2.5	0.9	1.0	8
52	2.6	0.9	1.0	7
64	3.2	0.9	1.0	6

**XX= Plating Code**  
**See Below**

**For RoHS compliance, select  $\diamond$  plating code. For the all gold option (XX=13) also change part number from 110-XX-XXX-41-001000 to 110-13-XXX-41-001100**



- 110-XX-210-41-001000
- 110-XX-304-41-001000
- 110-XX-306-41-001000
- 110-XX-308-41-001000
- 110-XX-310-41-001000
- 110-XX-314-41-001000
- 110-XX-316-41-001000
- 110-XX-318-41-001000
- 110-XX-320-41-001000
- 110-XX-322-41-001000
- 110-XX-324-41-001000
- 110-XX-328-41-001000
- 110-XX-420-41-001000
- 110-XX-422-41-001000
- 110-XX-424-41-001000
- 110-XX-428-41-001000
- 110-XX-432-41-001000
- 110-XX-624-41-001000
- 110-XX-628-41-001000
- 110-XX-632-41-001000
- 110-XX-636-41-001000
- 110-XX-640-41-001000
- 110-XX-642-41-001000
- 110-XX-648-41-001000
- 110-XX-650-41-001000
- 110-XX-652-41-001000
- 110-XX-950-41-001000
- 110-XX-952-41-001000
- 110-XX-964-41-001000

**For Lubricated Contacts, change part number from 110-XX-XXX-41-001000 to 110-99-XXX-41-361000 (To be used with "99" plating code only)**

SPECIFY PLATING CODE XX=	13 $\diamond$	91	93	99	41 $\diamond$	43 $\diamond$	44 $\diamond$
Sleeve (Pin)	10 $\mu$ " Au	200 $\mu$ " Sn/Pb	200 $\mu$ " Sn/Pb	200 $\mu$ " Sn/Pb	200 $\mu$ " Sn	200 $\mu$ " Sn	200 $\mu$ " Sn
Contact (Clip)	30 $\mu$ " Au	10 $\mu$ " Au	30 $\mu$ " Au	200 $\mu$ " Sn/Pb	10 $\mu$ " Au	30 $\mu$ " Au	200 $\mu$ " Sn