

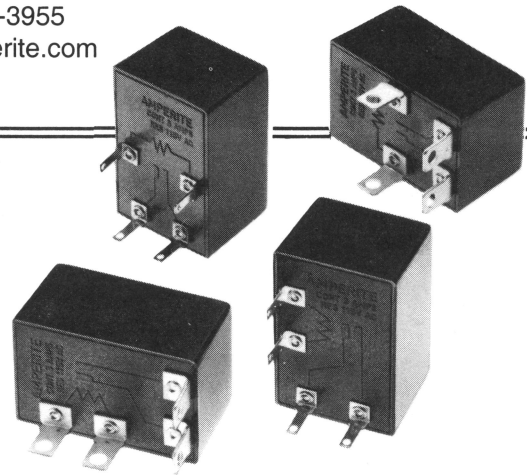

AMPERITE CO., INC.

(201) 864-9503 • (800) 752-2329 • Fax: (201) 864-3955

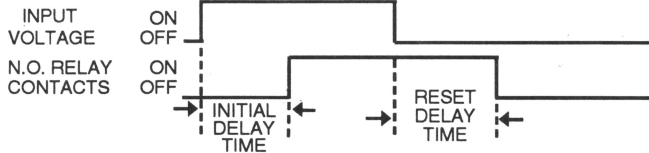
E-mail: info@amperite.com • Web site: www.amperite.com

BR Series TDR

- Delay on Release timing mode
- Thermal device
- 3 AMP rating
- Low cost
- 1 - 115V input voltage range - works on AC or DC
- Isolated output contacts
- Fixed delay times only
- Normally open or normally closed contacts available
- Long life
- UL File #E96739 (M)
- CSA File #LR62586



TIMING MODE: Power to the device must be applied prior to the delay cycle to initialize the heater. At the end of this initial delay time the relay contacts transfer and remain in a transferred state until input power is removed. When the heater input power is removed, the contacts transfer back to their original state at the end of a reset (release) delay period.

TIMING DIAGRAM:

CONTACT INFORMATION:

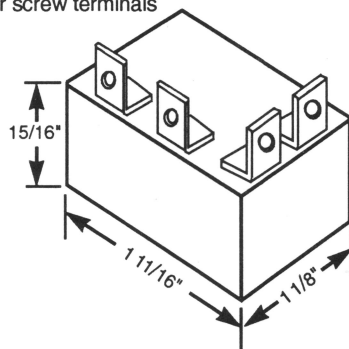
Arrangement: 1 form A (SPST - Normally open) - Delay on Make
 1 form B (SPST - Normally closed) - Delay on Break
 Contact Material: Silver - Cadmium Oxide
 Rating (Resistive): 3A @ 115V AC
 Expected Life @ 25°C :
 500,000 operations minimum at rated loads

ENVIRONMENTAL INFORMATION:

Temperature Range: Operating & storage: -34°C to +77°C,
 (-30°F to +171°F)

MECHANICAL INFORMATION:

Termination: .110 inch, .250 inch or screw terminals
 Enclosure: Black plastic case.
 Mounting: Single screw or optional 2-screw panel mount
 Weight: 0.8 oz (23g) approx.

OUTLINE DIMENSIONS:

TIMING SPECIFICATIONS:

Reset (Release) Timing - Fixed: 10 through 600 secs.
 Initializing Timing - Fixed: Varies with release time - contact factory.
 Timing Tolerance: ± 20% - **Tighter tolerances are available.**
 Repeatability: ± 5%

INITIAL DIELECTRIC STRENGTH:

Between open contacts: 500V RMS
 Between contacts & coil: 500V RMS

INPUT INFORMATION:

Voltage: AC or DC - 6V, 12V, 26V, 50V and 115V
 (Other voltages are available)

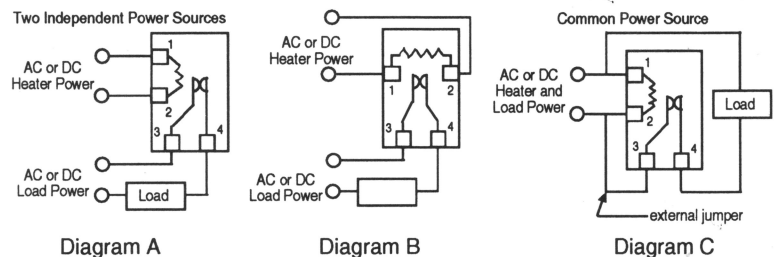
Power Requirement: 2.3 Watts

Transient Protection: impervious to transients

Polarity Protection: None required

INPUT VOLTAGES & LIMITS:

Nominal	Minimum	Maximum
6V AC/DC	4V	8V
12V AC/DC	10V	14V
26V AC/DC	22V	30V
50V AC/DC	42V	58V
115V AC/DC	90V	130V

WIRING DIAGRAMS:

Ordering Information:

Definition of a part number for the Amperite BR Series Time Delay Relay.

Example:

\uparrow 115 \uparrow NO \uparrow 12 \uparrow R \uparrow 8 \uparrow X \uparrow B
 \uparrow A \uparrow B \uparrow C \uparrow D \uparrow E \uparrow F \uparrow G

- A: Denotes nominal input voltage. Voltages Available: 6, 12, 26, 50 & 115V AC/DC
Custom Voltages are available.
- B: Denotes contact form: NO = normally open (Delay on Make) - 1 form A - SPST
 C = normally closed (Delay on Break) - 1 form B - SPST
- C: Denotes initialization period timing value. This value varies with release time. Contact factory.
- D: Denotes reset (release) function of BR Series
- E: Denotes reset (release) timing value. Factory preset time delays from 10 - 600 secs. are available
- F: Denotes form of termination: Blank = .110 male electro-plate solder terminals,
 X = .250 male quick connect terminals, S = screw terminals.
- G: Denotes use of thermal technology of BR Series.