

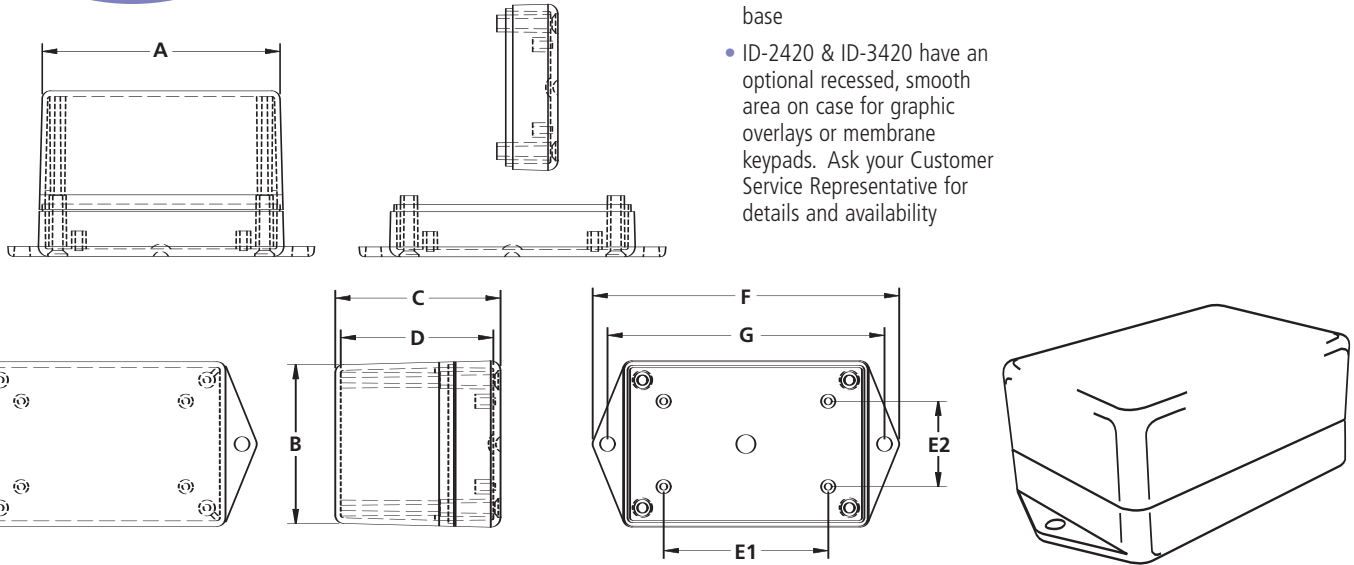


Order On Line  
[www.polycase.com](http://www.polycase.com)  
[sales@polycase.com](mailto:sales@polycase.com)  
**800-248-1233**  
 Fax: 440-934-0088

## PLASTIC ENCLOSURES FOR ELECTRONICS

# ID **Product Features**

Material	Design	Additional Info
<ul style="list-style-type: none"> <li>• <b>Material:</b> Flame retardant ABS plastic</li> <li>• <b>Flame Rating:</b> UL94V-0 (ID-3420 rated UL94-5VA)</li> <li>• <b>Surface:</b> Textured finish</li> </ul>	<ul style="list-style-type: none"> <li>• <b>PC Board Mounting:</b> Base includes four PC board mounting bosses</li> <li>• <b>Mounting Flanges:</b> Available with or without mounting flanges</li> <li>• <b>Closure:</b> Case screws on to base</li> <li>• ID-2420 &amp; ID-3420 have an optional recessed, smooth area on case for graphic overlays or membrane keypads. Ask your Customer Service Representative for details and availability</li> </ul>	<ul style="list-style-type: none"> <li>• <b>Colors:</b> Black, bone or gray</li> <li>• Insert mold capability allows for custom molding without expensive tooling (ID-2420 &amp; ID-3420 only)</li> </ul>



Catalog Number	Length A	Width B	Height C	Inside Depth D	PCB Bosses E1 E2	Mtg. Boss Height	Mtg. Flange Length F	Mtg. Flange Holes G
ID-1741P	4.000	1.750	1.280	1.120	3.100 X 0.850	0.230		
ID-1741F	4.000	1.750	1.280	1.120	3.100 X 0.850	0.230	4.875	4.500
ID-2309P	3.030	2.030	1.490	1.350	2.080 X 1.080	0.250		
ID-2309F	3.030	2.030	1.490	1.350	2.080 X 1.080	0.250	3.875	3.500
ID-2315P	3.000	2.000	2.090	1.950	2.080 X 1.080	0.250		
ID-2315F	3.000	2.000	2.090	1.950	2.080 X 1.080	0.250	3.875	3.500
ID-2409P	4.060	2.190	1.500	1.350	2.900 X 1.025	0.230		
ID-2409F	4.060	2.190	1.500	1.350	2.900 X 1.025	0.230	4.875	4.500
ID-2420P	4.000	2.125	2.600	2.420	2.900 X 1.025	0.230		
ID-2420F	4.000	2.125	2.600	2.420	2.900 X 1.025	0.230	4.875	4.500
ID-3315P	3.000	3.000	2.100	1.940	2.100 X 2.100	0.230		
ID-3315F	3.000	3.000	2.100	1.940	2.100 X 2.100	0.230	3.875	3.500
ID-3420P	4.375	3.125	2.700	2.500	3.300 X 2.050	0.250		
ID-3420F	4.375	3.125	2.700	2.500	3.300 X 2.050	0.250	5.500	5.000 X 1.750

Dimensions are nominal and in inches

Mounting boss screws are available for purchase (4-24 x 1/4 inch thread forming screw) Bag of 100, \$2.50

Enclosure includes case, base and screws for enclosure assembly

WHEN ORDERING, PLEASE SPECIFY:

1. **Catalog Number** – With or without mounting flanges
2. **Mounting Boss Screws** – Specify Yes or No
3. **Color** – Black, Bone or Gray