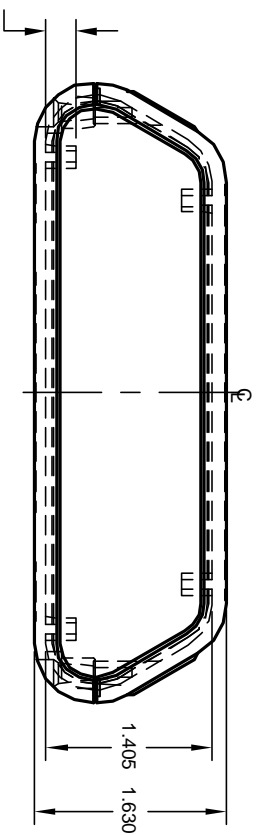
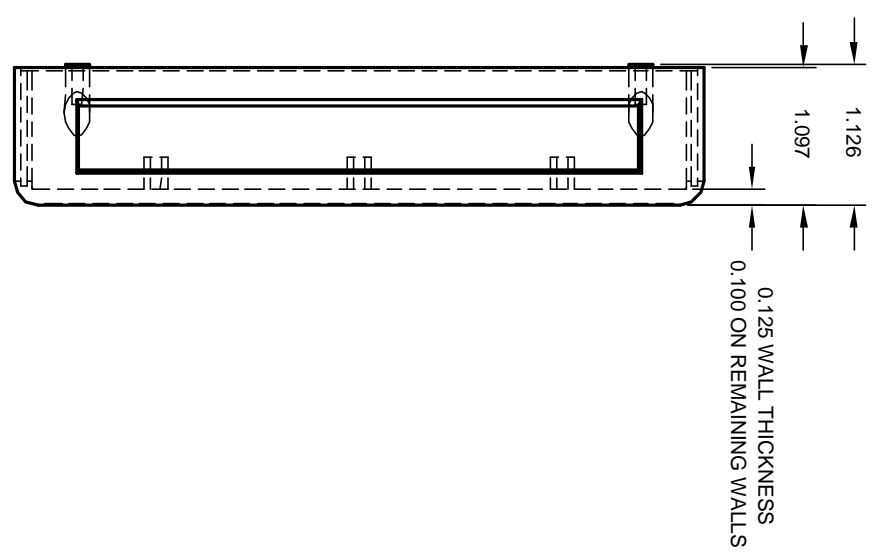
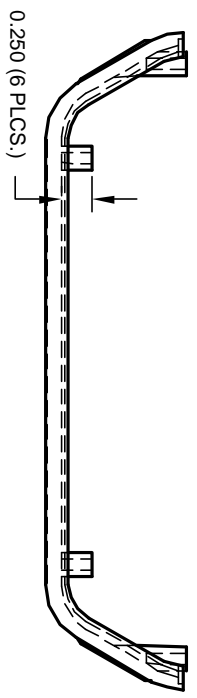
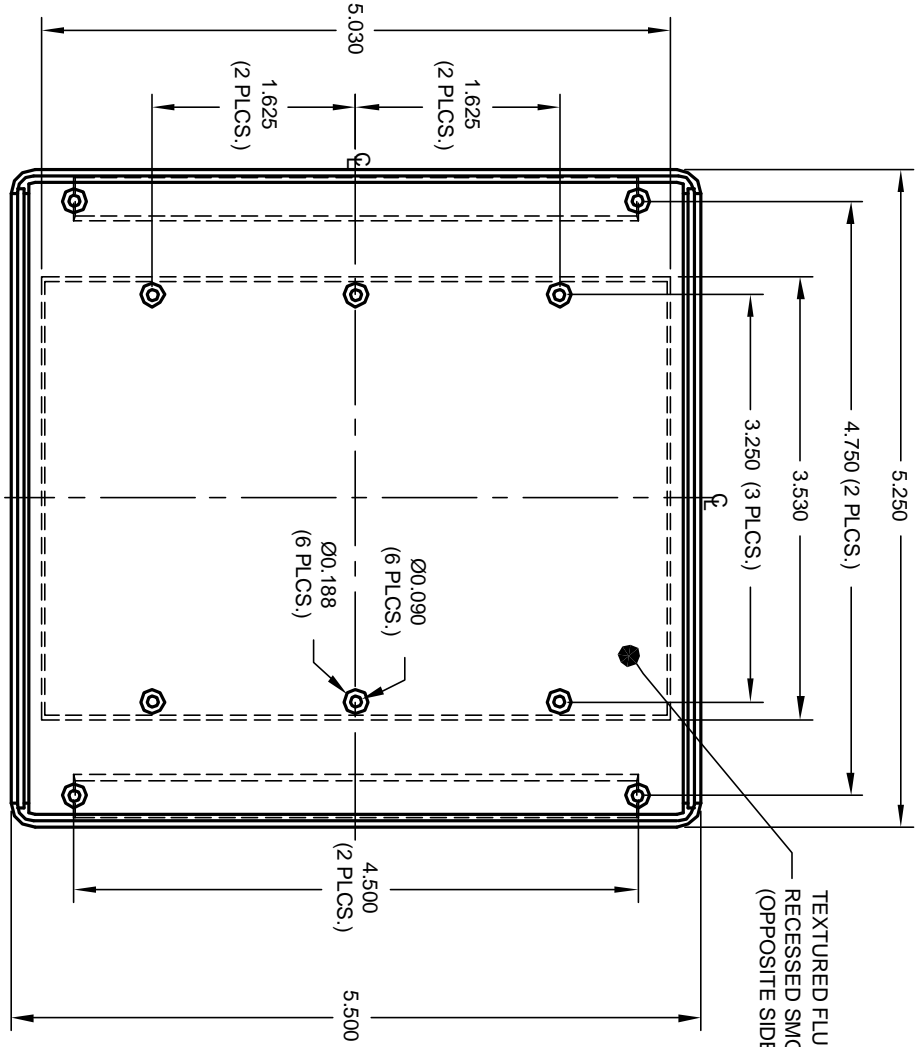


0.250 MTG. BOSS HEIGHT
 (6 PLCS. ON COVER)
 (6 PLCS. ON BASE)



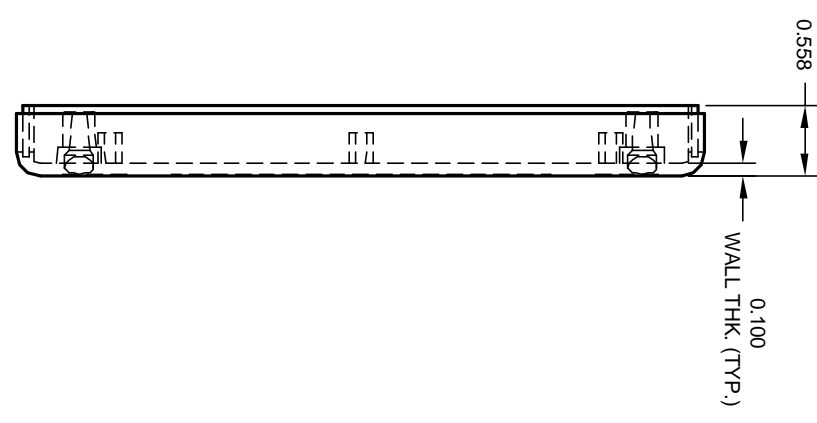
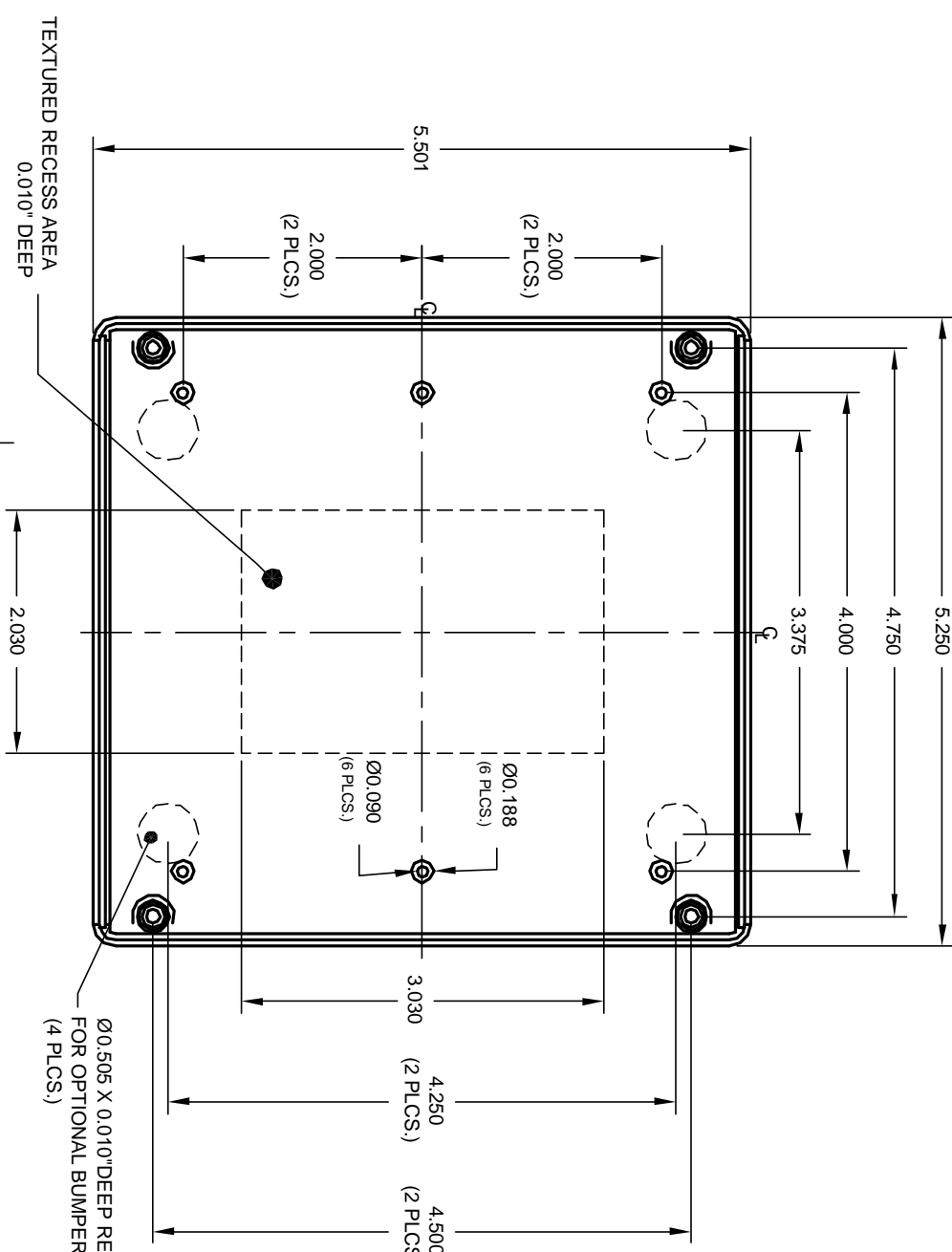
- NOTES:
- 1) PC BOARD BOSSES WILL ACCEPT A #4 X 1/4" THREAD FORMING SCREW (SCREWS AVAILABLE FROM POLYCASE)
 - 2) PATENT 431,230

		THE POLYCASE BUREAU 1300 CHESTER RD. ANDOVER, MASS. 01810 U.S.A. Phone: (603) 546-1233, 489-9344, FAX: (603) 546-1088	
THIS DRAWING AND THE INFORMATION CONTAINED HEREIN IS THE PROPERTY OF POLYCASE AND IS NOT TO BE REPRODUCED OR TRANSMITTED IN ANY FORM OR BY ANY MEANS, ELECTRONIC OR MECHANICAL, INCLUDING PHOTOCOPYING, RECORDING, OR BY ANY INFORMATION STORAGE AND RETRIEVAL SYSTEM, WITHOUT THE WRITTEN PERMISSION OF POLYCASE.		DATE: 10/5/00 SCALE: FULL APP. BY: B.B. DRWN BY: C.G.	
CUSTOMER: JB-55C		TITLE: PRODUCT DETAIL DRAWING	
JOB NO.:		PRODUCT: JB-55B	
REV. DESCRIPTION BY CHK DATE			



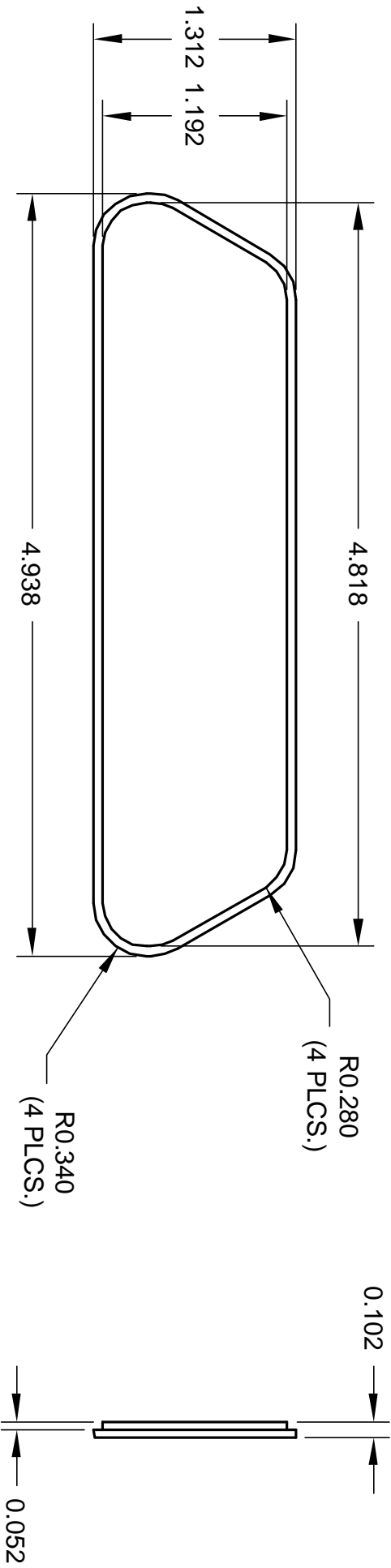
NOTE:
 1) PC BOARD BOSSES WILL ACCEPT
 A #4 X 1/4" THREAD FORMING HIGH LOW SCREW
 (SCREWS AVAILABLE FROM POLYCASE)

REV	DESCRIPTION	DATE	 POLYCASE YOUR PERFECT FIT		1306 CHESTER IND. PARKWAY AVON, OHIO 44011-1083 U.S.A. PH#: 1-800-248-1233, 440-934-0444 FAX#: 440-934-0088	DRWN BY C.G.	APP BY B.B.	SCALE FULL	DATE 11/02/01
			TOLERANCES UNLESS OTHERWISE SPECIFIED XXX ±.020 XXXX ±.010		THIS DRAWING AND THE INFORMATION CONTAINED HEREIN ARE THE PROPERTY OF POLYCASE AND IT IS NOT TO BE REPRODUCED, COPIED OR USED IN ANY WAY DETRIMENTAL TO THE INTEREST OF POLYCASE	JOB NO.:	PRODUCT:	CUSTOMER:	TITLE: PRODUCT DETAIL DWG.



NOTE:
1) PC BOARD BOSSES WILL ACCEPT
A #4 X 1/4" THREAD FORMING HIGH LOW SCREW
(SCREWS AVAILABLE FROM POLYCASE)

REV	DESCRIPTION	DATE	 POLYCASE YOUR PERFECT FIT		1306 CHESTER IND. PARKWAY AVON, OHIO 44011-1083 U.S.A. PH#: 1-800-248-1233, 440-934-0444 FAX#: 440-934-0088	DRWN BY: _____ C.G. APP BY: _____ B.B. SCALE: _____ FULL	DATE: 11/02/01
			TOLERANCES UNLESS OTHERWISE SPECIFIED XXX ±.020 XXXX ±.010		THIS DRAWING AND THE INFORMATION CONTAINED HEREIN ARE THE PROPERTY OF POLYCASE AND IT IS NOT TO BE REPRODUCED, COPIED OR USED IN ANY WAY DETRIMENTAL TO THE INTEREST OF POLYCASE	JOB NO.: _____ PRODUCT: JB-558	
			THIS DRAWING AND THE INFORMATION CONTAINED HEREIN ARE THE PROPERTY OF POLYCASE AND IT IS NOT TO BE REPRODUCED, COPIED OR USED IN ANY WAY DETRIMENTAL TO THE INTEREST OF POLYCASE			CUSTOMER: _____ TITLE: PRODUCT DETAIL DRAWING	



Page 1 of 1

REV	DESCRIPTION	DATE			1305 CHESTER IND. PARKWAY AVON, OHIO 44011-1083 U.S.A. PH#: 1-800-248-1233, 440-934-0444 FAX#: 440-934-0088	DRWN BY C.G.	APP. BY B.B.	SCALE: FULL	DATE: 11/01/01
			TOLERANCES UNLESS OTHERWISE SPECIFIED X.XX ±.020 X.XXX ±.010		THIS DRAWING AND THE INFORMATION CONTAINED ARE THE PROPERTY OF POLYCASE AND IT IS NOT TO BE REPRODUCED, COPIED OR USED IN ANY WAY DETRIMENTAL TO THE INTEREST OF POLYCASE	CUSTOMER:	PRODUCT: JB-55EP		
			TITLE: Secondary Operations Drawing						