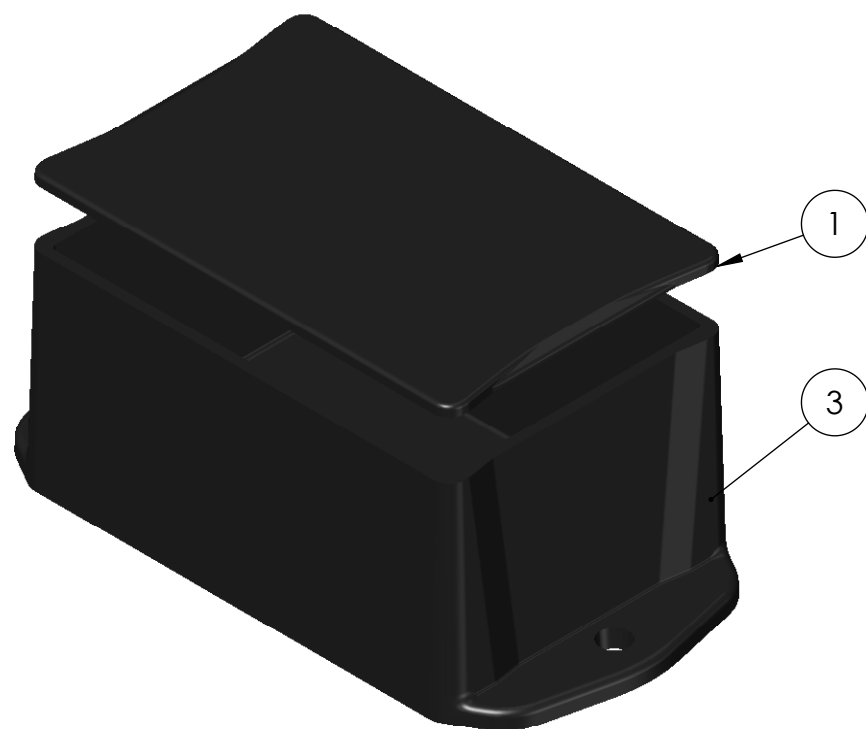
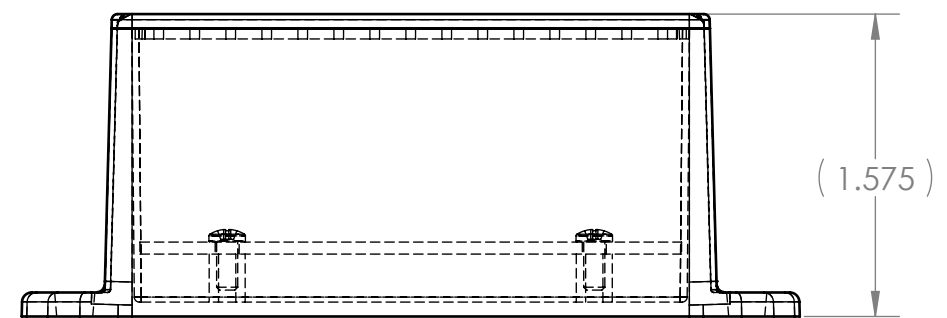
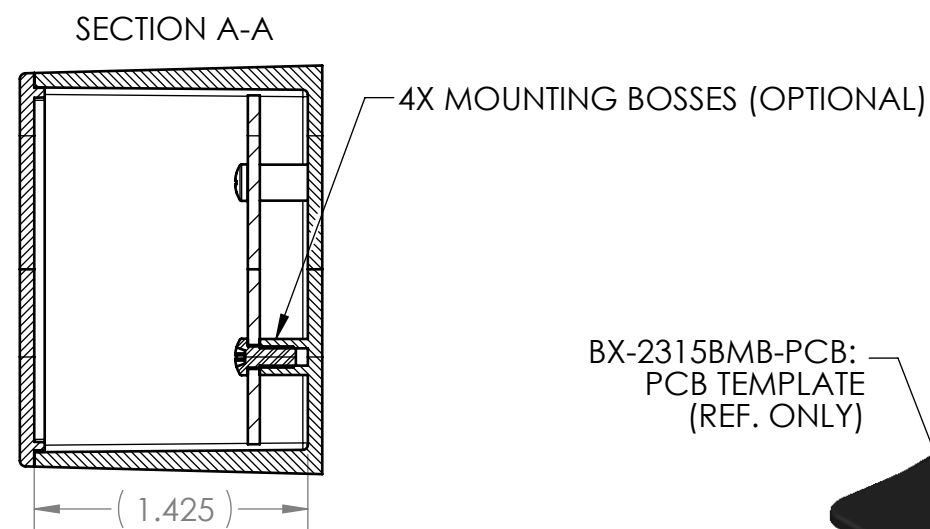
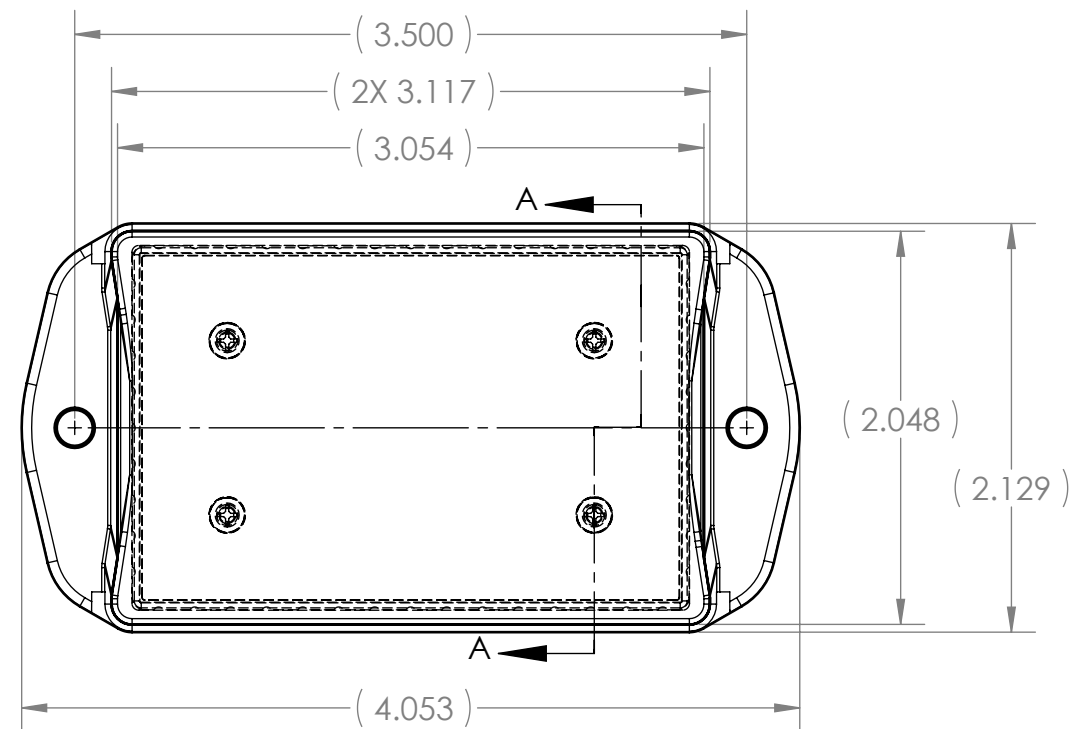
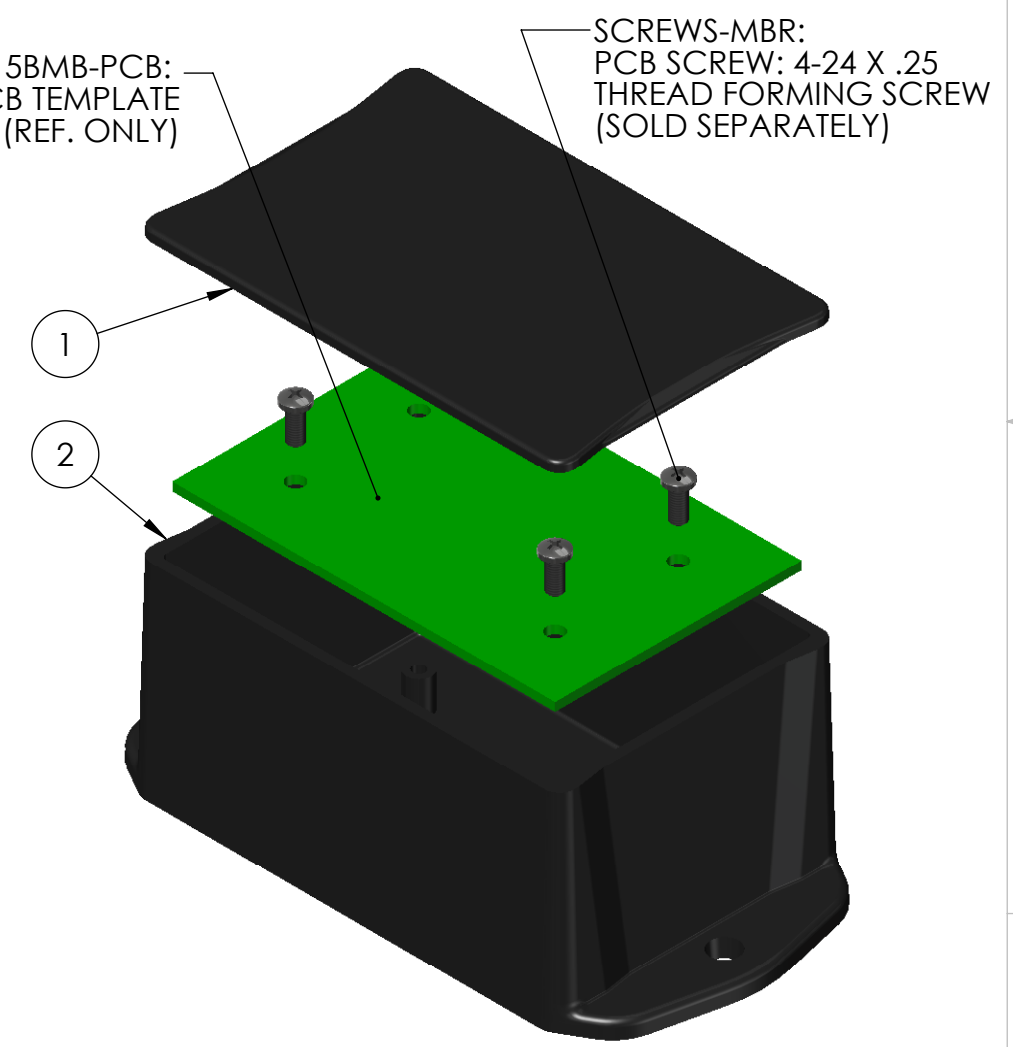


ITEM NO.	PART NUMBER	Revision	DESCRIPTION	MATERIAL
1	BX-23C	1	BX SERIES COVER, BLACK	ABS
2	BX-2315BMB	1	BX SERIES BASE, BLACK, WITH MOUNTING BOSSES	ABS
3	BX-2315BXX	1	BX SERIES BASE, BLACK, WITHOUT MOUNTING BOSSES	ABS

**NOTE: ALL COMPONENTS ARE SOLD AND PRICED SEPARATELY. SHOWN ASSEMBLED FOR REFERENCE ONLY.**



FLAME RATING: UL94V-0

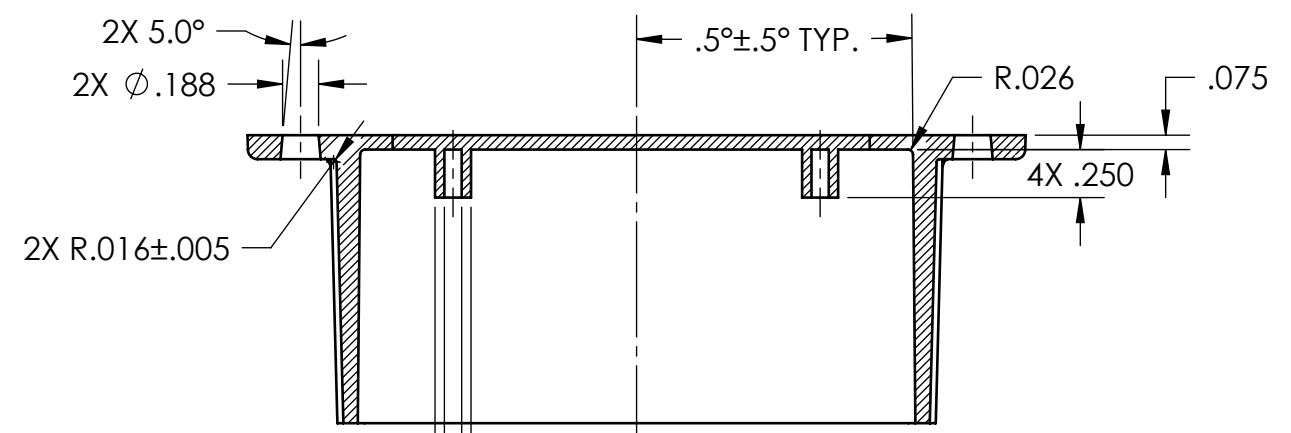


FLAME RATING: UL94V-0

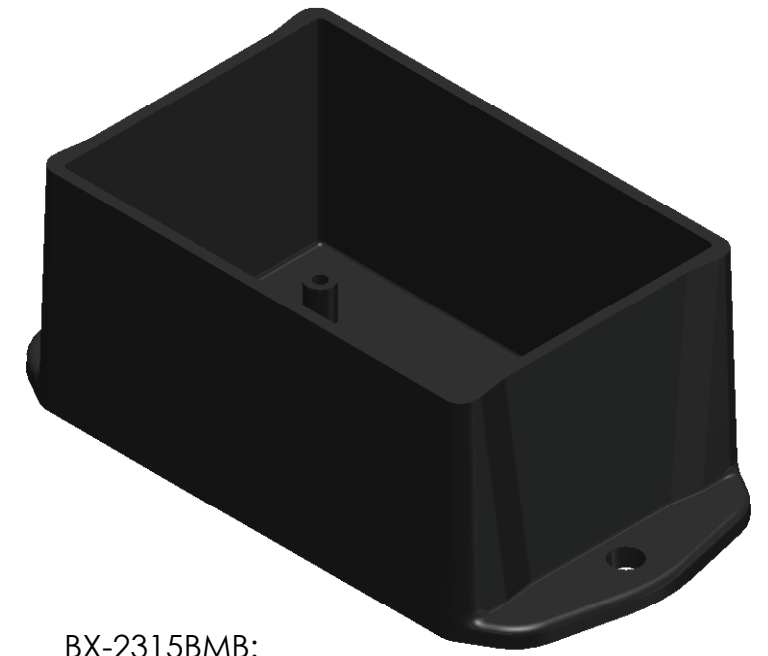
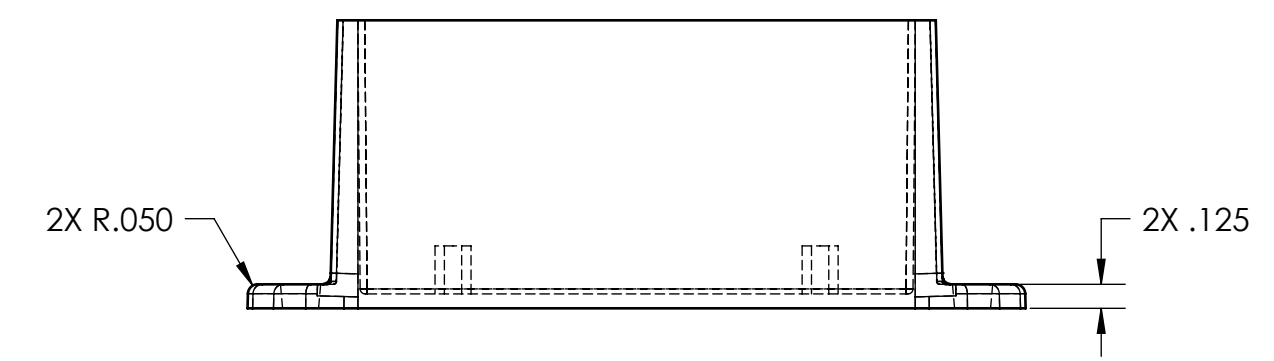
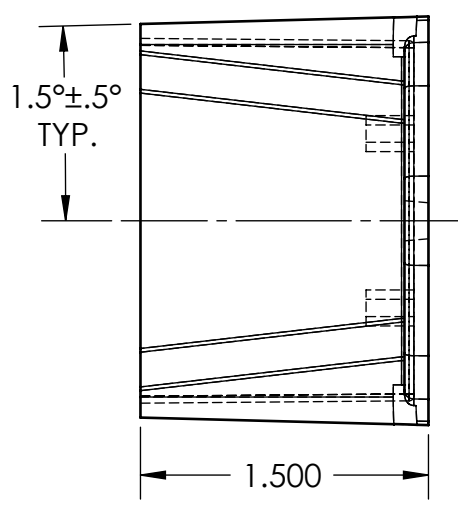
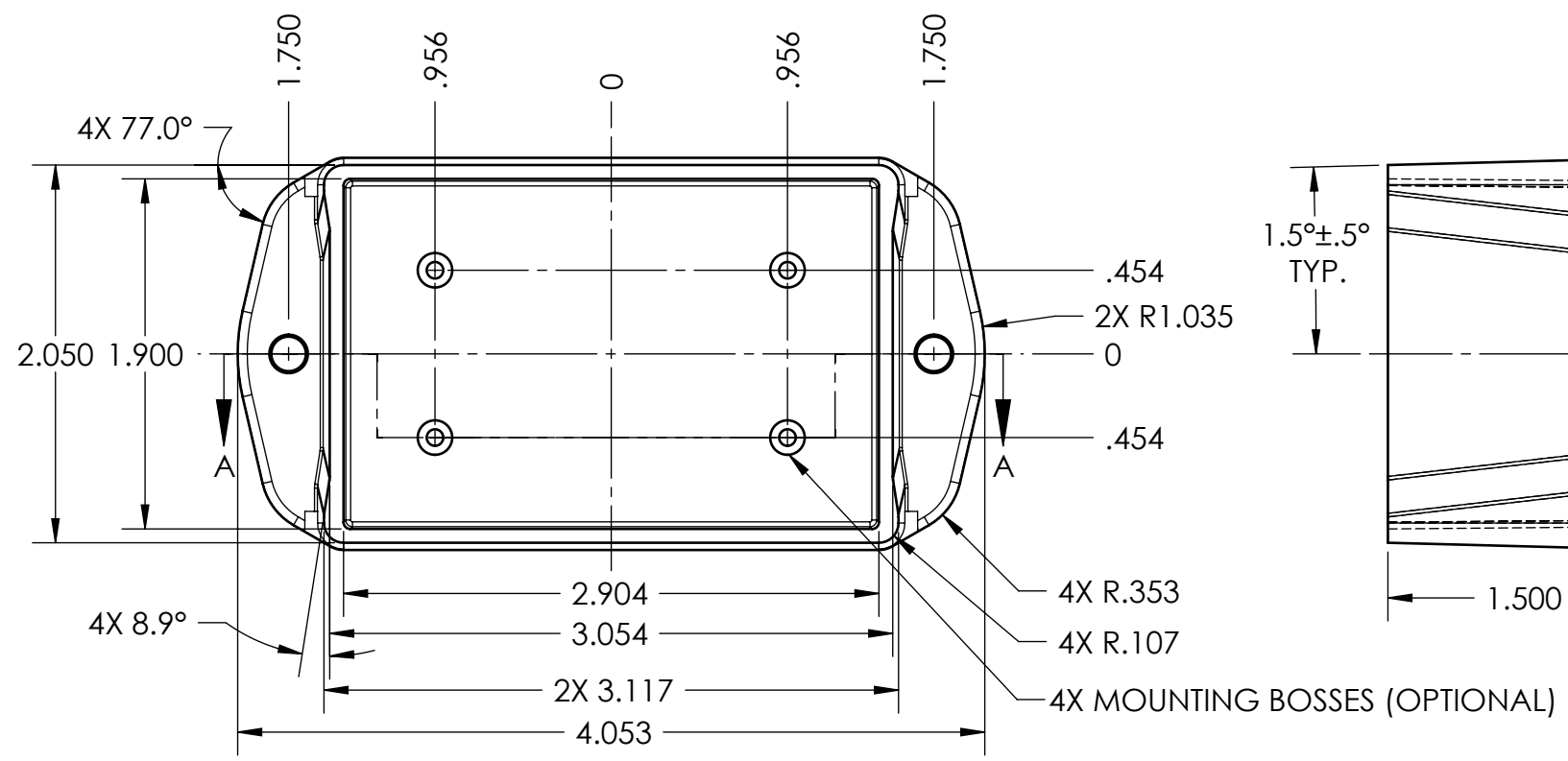
NOTES:  
 1. MOUNTING BOSSES ACCEPT A #4 X .25 THREAD FORMING SCREW. SCREWS ARE AVAILABLE FROM POLYCASE.

UNLESS OTHERWISE SPECIFIED: DIMENSIONS ARE IN: INCHES[mm] TOLERANCES: ANGULAR: ±2° TWO PLACE DECIMAL: ±.030 THREE PLACE DECIMAL: ±.015 PRINTED GRAPHICS: ±.010		PART NO. BX-2315 ASS'Y		 1305 CHESTER IND. PARKWAY AVON, OHIO 44011-1083 U.S.A. PH#: 1-800-248-1233, 440-934-0444 FAX#: 440-934-0088	
PROPRIETARY AND CONFIDENTIAL THE INFORMATION CONTAINED IN THIS DRAWING IS THE SOLE PROPERTY OF POLYCASE. ANY REPRODUCTION IN PART OR AS A WHOLE WITHOUT THE WRITTEN PERMISSION OF POLYCASE IS PROHIBITED. CAD FILE: BX-2315 ASS'Y		PRODUCT -			
CLIENT -		SIZE <b>B</b>	TITLE: Product Assembly Drawing		REV <b>1</b>
DRAWN D.M.F.	NAME B.M.B.	DATE 7/30/2009	SCALE: 1:1	SHEET 1 OF 1	

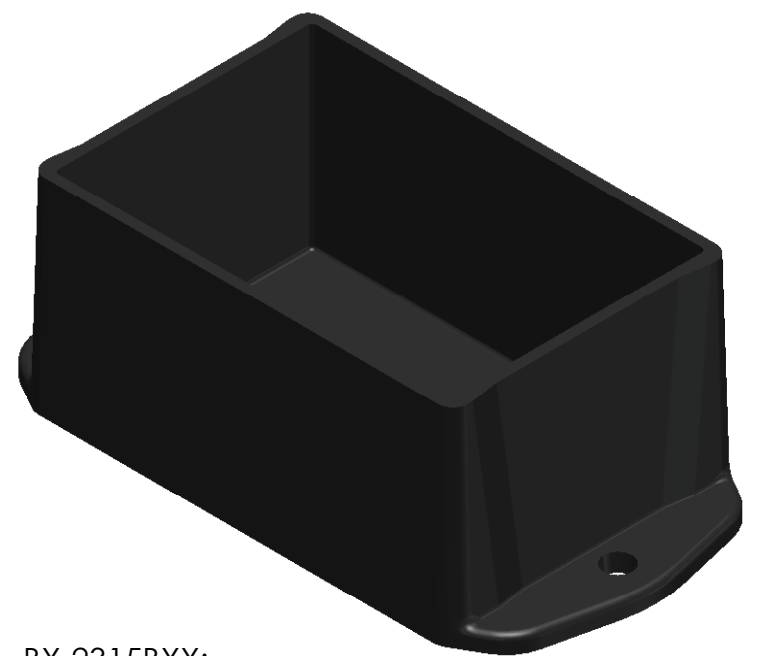
8 7 6 5 4 3 2 1



SECTION A-A  
4X Ø.090  
4X Ø.188



BX-2315BMB:  
BX SERIES BASE, BLACK, WITH MOUNTING BOSSES  
MATERIAL: ABS  
FLAME RATING: UL94V-0

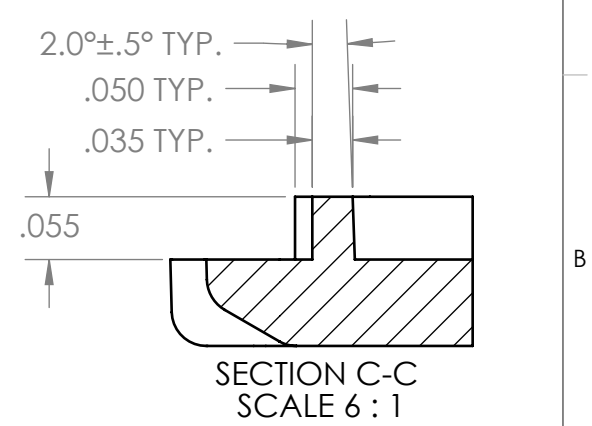
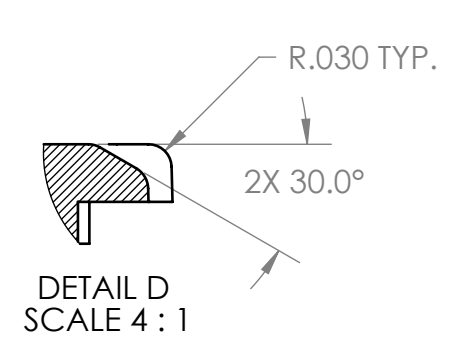
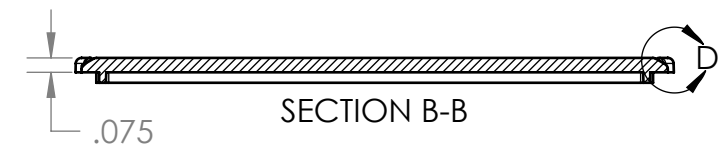
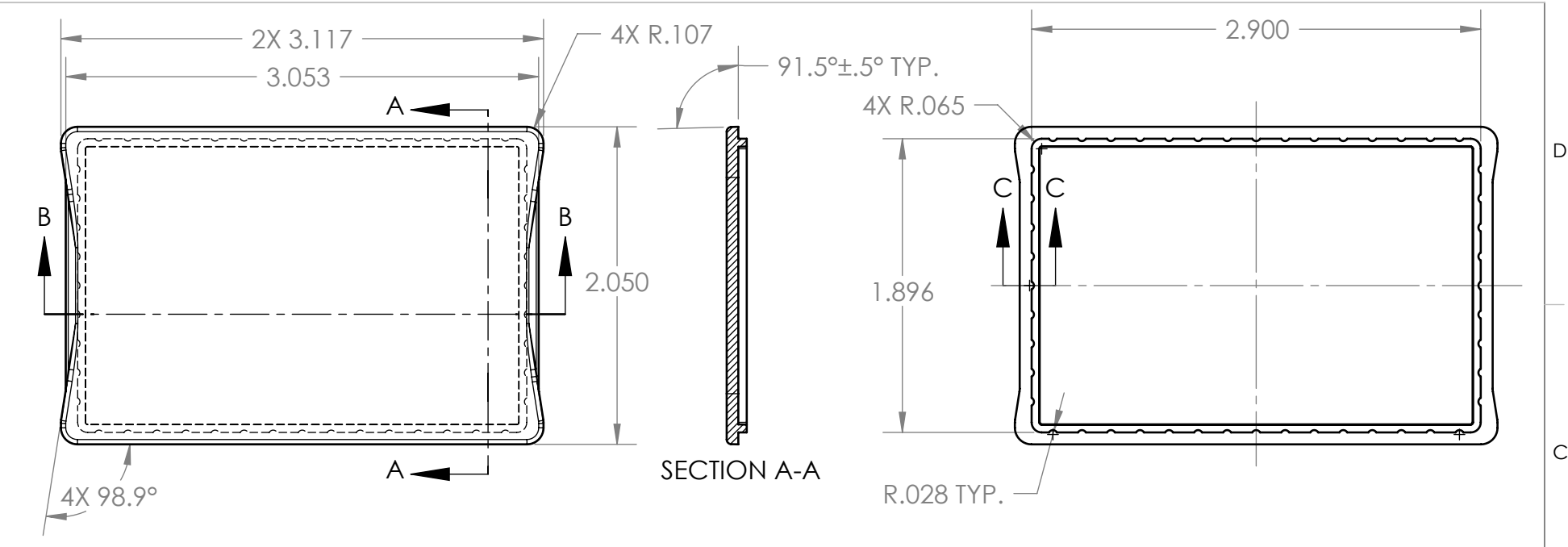


BX-2315BXX:  
BX SERIES BASE, BLACK, WITHOUT MOUNTING BOSSES  
MATERIAL: ABS  
FLAME RATING: UL94V-0


NOTES:  
1. MOUNTING BOSSES ACCEPT A #4 X .25 THREAD FORMING SCREW. SCREWS ARE AVAILABLE FROM POLYCASE.

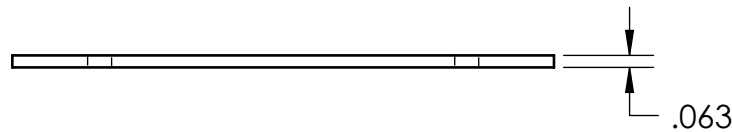
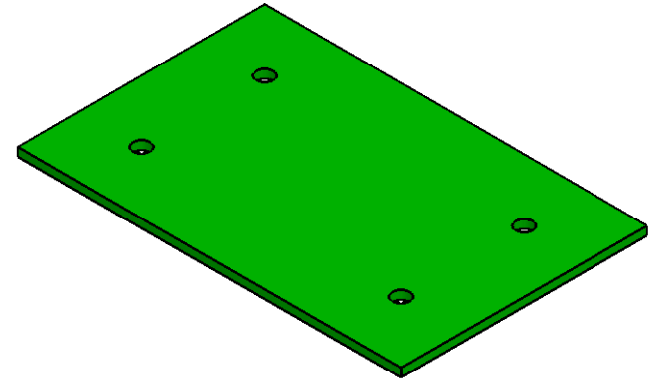
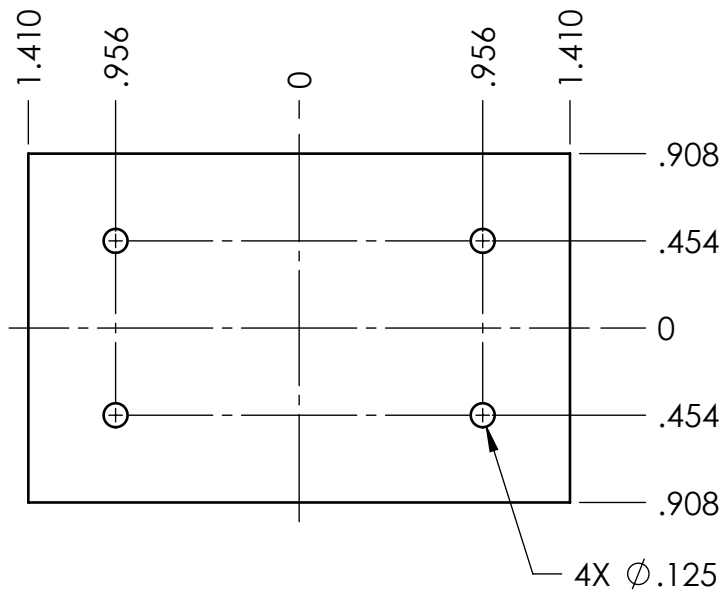
UNLESS OTHERWISE SPECIFIED: DIMENSIONS ARE IN: INCHES[mm] TOLERANCES: ANGULAR: ±2° TWO PLACE DECIMAL: ±.030 THREE PLACE DECIMAL: ±.015 PRINTED GRAPHICS: ±.010	PART NO. BX-2315B		 1305 CHESTER IND. PARKWAY AVON, OHIO 44011-1083 U.S.A. PH#: 1-800-248-1233, 440-934-0444 FAX#: 440-934-0088	SIZE <b>B</b>	TITLE: Product Detail Drawing	REV <b>1</b>	
	PRODUCT -						
PROPRIETARY AND CONFIDENTIAL THE INFORMATION CONTAINED IN THIS DRAWING IS THE SOLE PROPERTY OF POLYCASE. ANY REPRODUCTION IN PART OR AS A WHOLE WITHOUT THE WRITTEN PERMISSION OF POLYCASE IS PROHIBITED. CAD FILE: BX-2315B	CLIENT -		DRAWN D.M.F. 8/12/2009	DATE 8/12/2009	SCALE: 1:1		SHEET 1 OF 1
	NAME -						

8 7 6 5 4 3 2 1




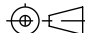
- NOTES:  
1. MATERIAL: ABS  
2. FLAME RATING: UL94V-0

UNLESS OTHERWISE SPECIFIED: DIMENSIONS ARE IN: INCHES [mm] TOLERANCES: ANGULAR: ±2° TWO PLACE DECIMAL: ±.030 THREE PLACE DECIMAL: ±.015 PRINTED GRAPHICS: ±.010	PART NO. BX-23C		 <b>POLYCASE™</b> <b>YOUR PERFECT FIT</b> 1305 CHESTER IND. PARKWAY AVON, OHIO 44011-1083 U.S.A. PH#: 1-800-248-1233, 440-934-0444 FAX#: 440-934-0088					
	PRODUCT -							
PROPRIETARY AND CONFIDENTIAL THE INFORMATION CONTAINED IN THIS DRAWING IS THE SOLE PROPERTY OF POLYCASE. ANY REPRODUCTION IN PART OR AS A WHOLE WITHOUT THE WRITTEN PERMISSION OF POLYCASE IS PROHIBITED. CAD FILE: BX-23C	CLIENT -		SIZE <b>A</b>					
	<table border="1"> <thead> <tr> <th>NAME</th> <th>DATE</th> </tr> </thead> <tbody> <tr> <td>D.M.F.</td> <td>7/30/2009</td> </tr> <tr> <td>B.M.B.</td> <td>8/13/2009</td> </tr> </tbody> </table>		NAME	DATE	D.M.F.	7/30/2009	B.M.B.	8/13/2009
NAME	DATE							
D.M.F.	7/30/2009							
B.M.B.	8/13/2009							
DRAWN		REV <b>1</b>						
CHECKED		SCALE: 1:1	SHEET 1 OF 1					



NOTES:

1. INCLUDES .031 CLEARANCE WITH THE INTERIOR OF BX-2315BMB WHEN UTILIZING THE MOUNTING BOSSES.

UNLESS OTHERWISE SPECIFIED: DIMENSIONS ARE IN: INCHES[mm] TOLERANCES: ANGULAR: ±2° TWO PLACE DECIMAL: ±.010 THREE PLACE DECIMAL: ±.005 PRINTED GRAPHICS: ±.010					PART NO. BX-2315BMB-PCB		 <b>POLYCASE™</b> YOUR PERFECT FIT 1305 CHESTER IND. PARKWAY AVON, OHIO 44011-1083 U.S.A. PH#: 1-800-248-1233, 440-934-0444 FAX#: 440-934-0088	
					PRODUCT -			
PROPRIETARY AND CONFIDENTIAL THE INFORMATION CONTAINED IN THIS DRAWING IS THE SOLE PROPERTY OF POLYCASE. ANY REPRODUCTION IN PART OR AS A WHOLE WITHOUT THE WRITTEN PERMISSION OF POLYCASE IS PROHIBITED. CAD FILE: BX-2315BMB-PCB					CLIENT -		DRAWN D.M.F. 7/30/2009	
REVISIONS					CHECKED B.M.B. 8/12/2009		SCALE: 1:1	
ZONE	REV.	DESCRIPTION	BY	APPR'D	DATE			SHEET 1 OF 1

5

4

3

2

1