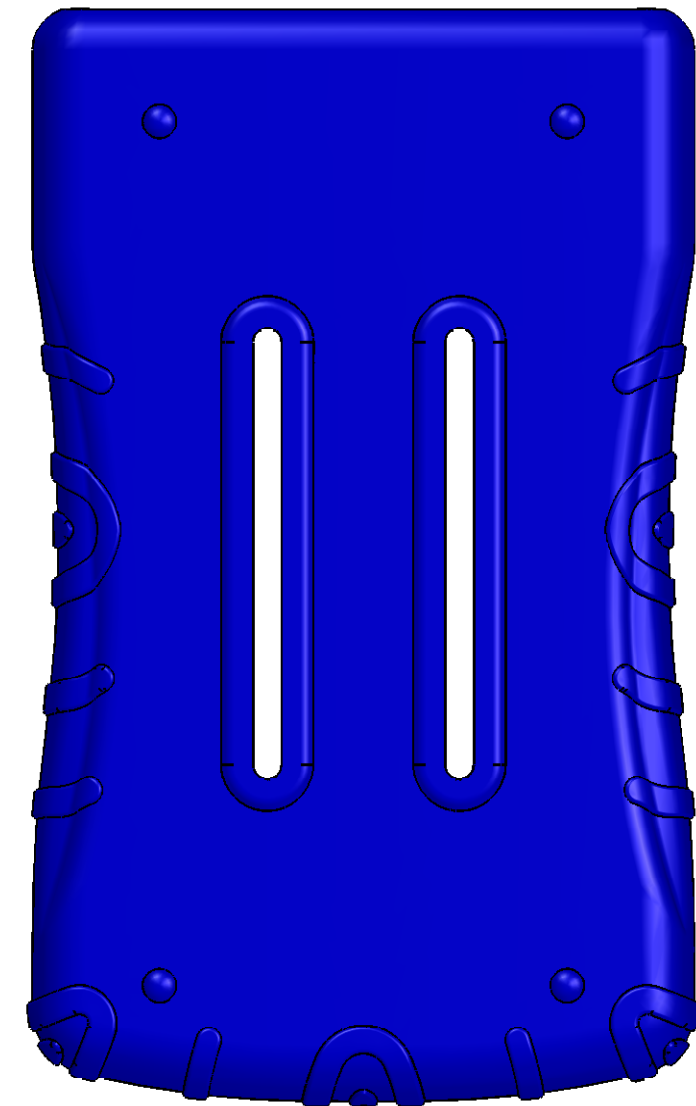
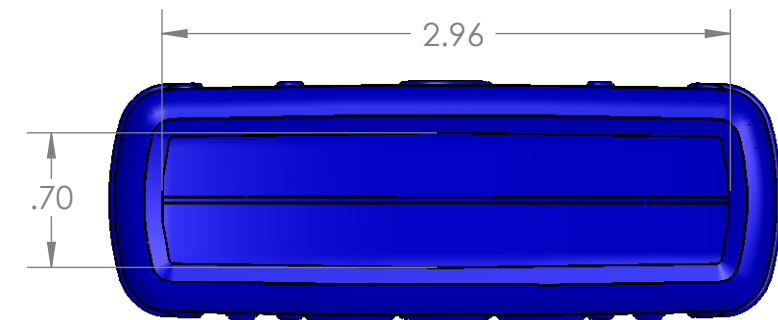
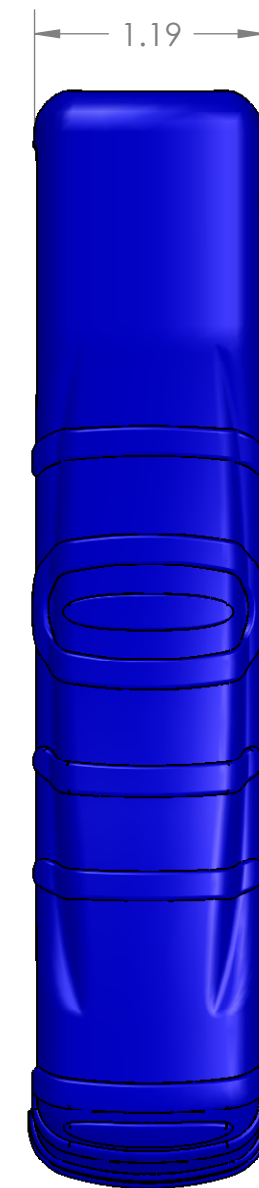
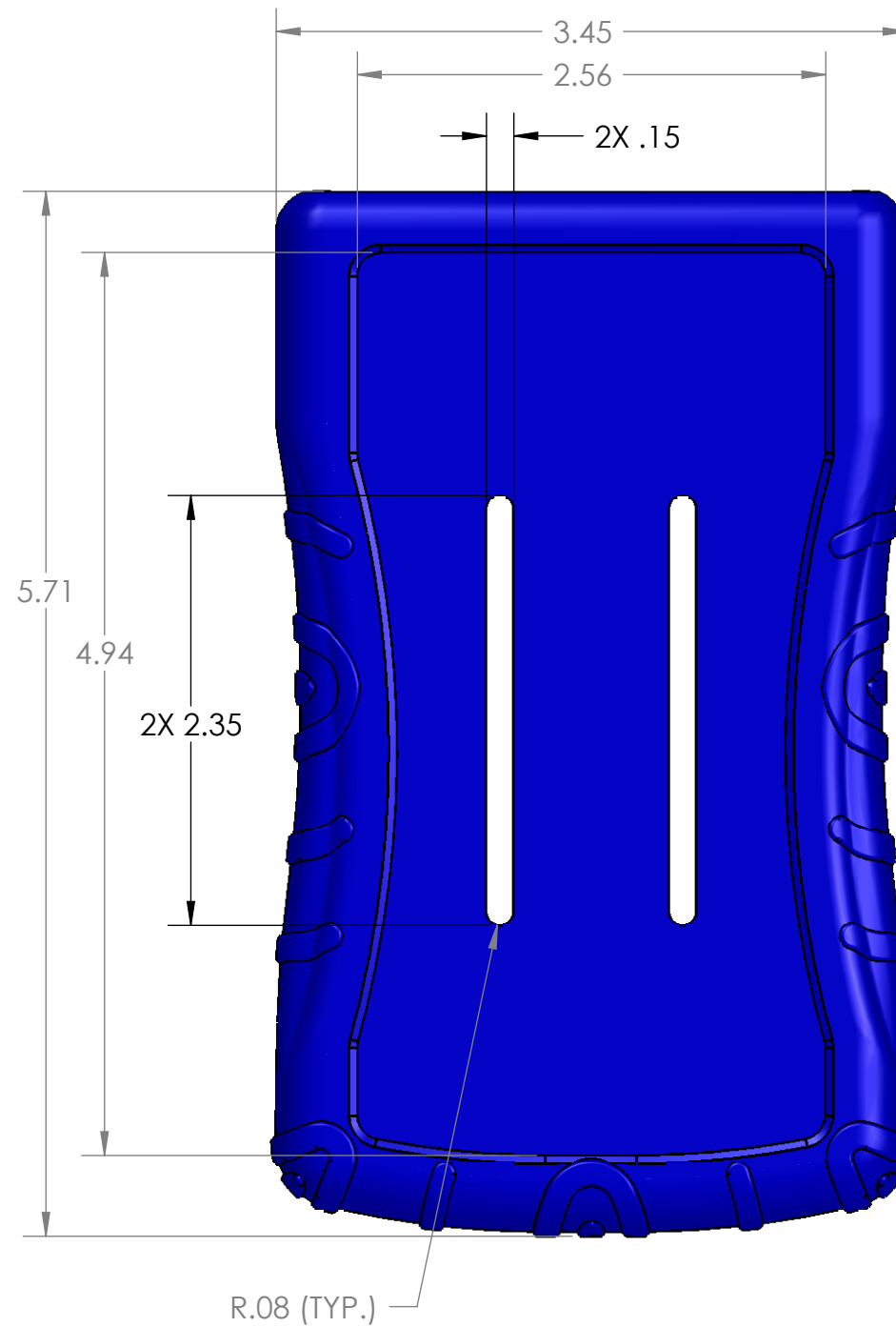
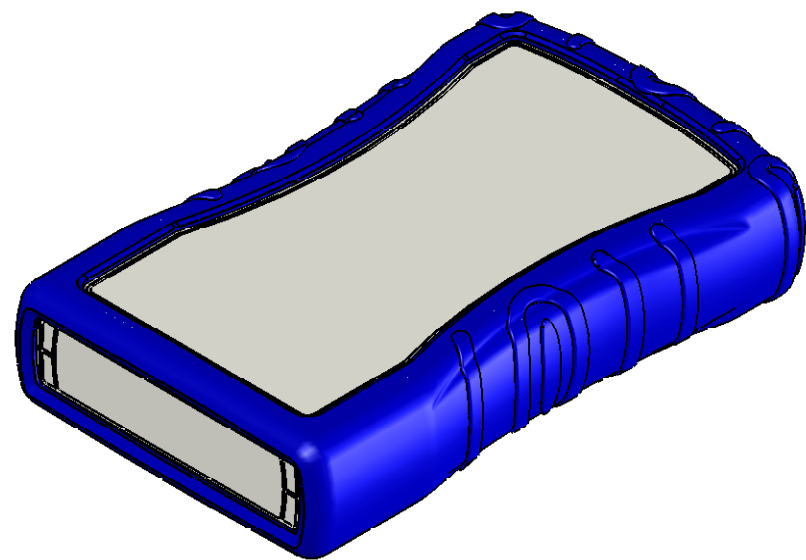
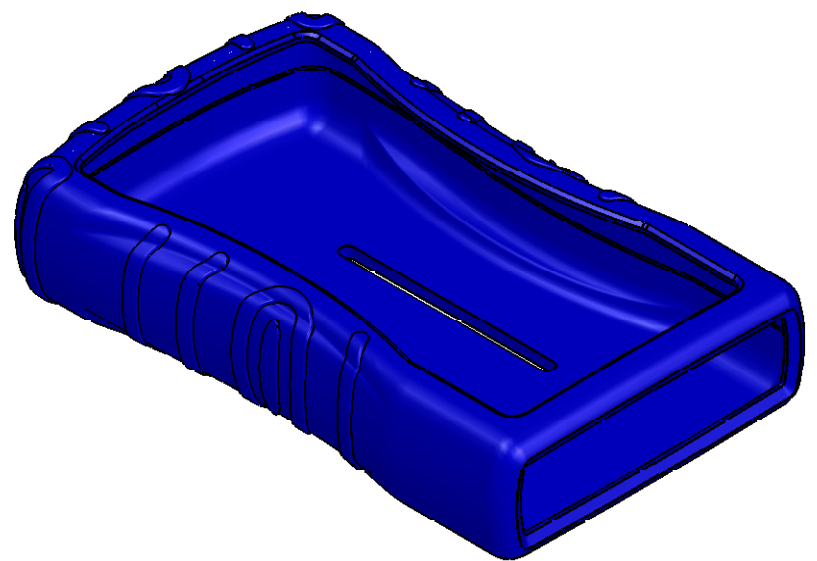


8 7 6 5 4 3 2 1

D  
C  
B  
A

D  
C  
B  
A



- NOTES:  
 1. COLORS AVAILABLE: BLACK, BLUE, RED  
 2. MATERIAL: SILICONE RUBBER WITH PREMIUM SILICONE COATING

UNLESS OTHERWISE SPECIFIED:  
 DIMENSIONS ARE IN: INCHES[mm]  
 TOLERANCES: ANGULAR: ±2°  
 TWO PLACE DECIMAL: ±.120  
 THREE PLACE DECIMAL: ±.060

PROPRIETARY AND CONFIDENTIAL  
 THE INFORMATION CONTAINED IN THIS  
 DRAWING IS THE SOLE PROPERTY OF  
 POLYCASE. ANY REPRODUCTION IN PART  
 OR AS A WHOLE WITHOUT THE WRITTEN  
 PERMISSION OF POLYCASE IS PROHIBITED.

CAD FILE: VM-35-BOOT

PART NO. VM-35-BOOT		
PRODUCT -		
CLIENT -		
DRAWN	NAME	DATE
CHECKED	D.M.F.	9/12/2008
		12/31/2999

**POLYCASE™**  
 YOUR PERFECT FIT  
 1305 CHESTER IND. PARKWAY AVON, OHIO 44011-1083 U.S.A.  
 PH#: 1-800-248-1233, 440-934-0444 FAX#: 440-934-0088

SIZE <b>B</b>	TITLE: Product Detail Drawing	REV -
SCALE: 1:1	SHEET 1 OF 1	

ZONE	REV.	DESCRIPTION	BY	APPR'D	DATE
REVISIONS					

8 7 6 5 4 3 2 1