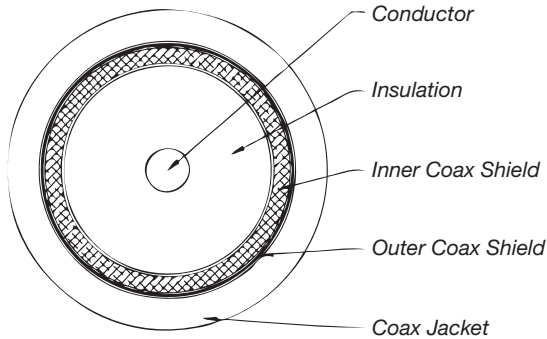
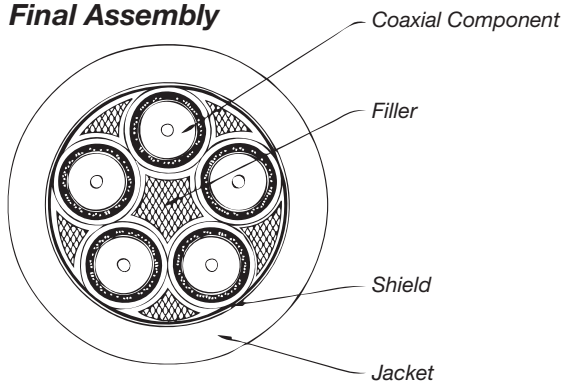


Olympic Part No.: 526RGB
5 CONDUCTOR 26 AWG 75 OHM
COAXIAL CABLE TYPE CL2



Final Assembly



CONDUCTOR #	JACKET COLOR
1	Red
2	Green
3	Blue
4	Black
5	Yellow

ELECTRICAL CHARACTERISTICS

- Impedance:** 75 Ohms Nominal @TDR
- Capacitance:** 16.7 pF/ft Nominal
- Velocity of Propagation:** 83% Nominal
- Time Delay:** 1.2 ns/ft
- Conductor DC Resistance:** 0.041 Ohms/ft Nominal @ 20°C

CONSTRUCTION

COAXIAL COMPONENT

- Conductor:** 26 AWG 7/34 Tinned Plated Copper, 0.019 Inch Diameter
- Insulation:** 0.0275 Inches of Foam FEP, 0.074 ±0.001 Inch Diameter
- Inner Coax Shield:** 38 AWG Tin Plated Copper Spiral, 95% Coverage
- Outer Coax Shield:** Aluminum/Polyester Tape, Aluminum Side Facing In, 25% Overlap
- Coax Jacket:** 0.0095 Inches of Flexible PVC
- Coax Diameter:** 0.107 ± 0.005 Inches

FINAL ASSEMBLY

- Core:** Fibrillated Polypropylene Filler
- Layer 1:** 5 Coaxial Components (#1-5) Cabled around Core with Fibrillated Polypropylene Filler in each Interstice
- Shield:** Aluminum/Polyester Tape, Aluminum Side Facing Out, 25% Overlap
- Jacket:** 0.025 Inches of Flexible PVC, Color – Black, Finish – Matte
- Diameter:** 0.345 ± 0.010 Inches
- Print Legend:** "Olympic Wire & Cable Corp. Premium High Resolution Broadcast Video/Data Cable 526RGB E57891 26 AWG 5/C (UL) Type CL2 75°C"

ATTENUATION

FREQUENCY (MHZ)	ATTENUATION (dB/100 ft Nominal)
100	5.9
400	12.9
1000	21.5

SAFETY CERTIFICATION

- UL Listing:** Type CL2 as specified in Article 725 of the National Electric Code