

Specifications:

- Material UL Recognized, QMFZ2, 125°C, .06 Clear Protective Plastic
- Two Thread Cutting Screws Furnished Per Cover
- Covers Are Slotted For Easy Installation
- Covers Are Available For The 140, 141, 142, 143, 144, 145

132 and 133 Series Power Blocks:

- Snap On, Hinged Cover, Thermoplastic, UL Recognized, QMFZ2, 125°C

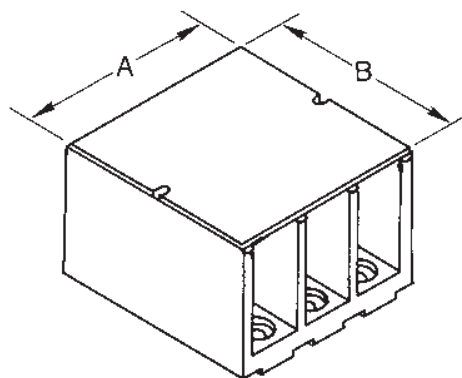


Figure 1

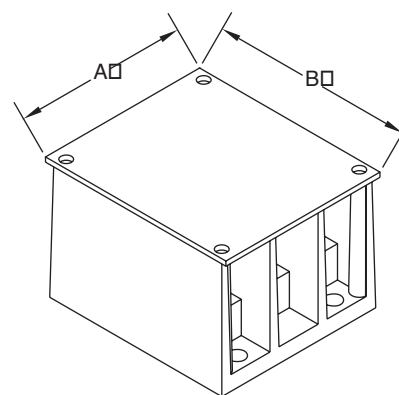


Figure 2

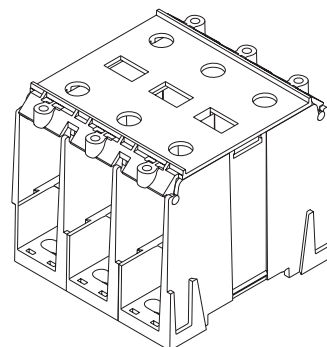


Figure 3
(Hinged Cover)

Dimensions (IN):

Catalog #	A	B	Figure #
CC1402	2.75	2.25	1
CC1403	4.00	2.25	1
CC1411	.77	2.40	2
CC1412	1.42	2.40	
CC1413	2.05	2.40	
CC1414	2.68	2.40	
CC1421	1.06	2.75	
CC1422	1.87	2.75	1
CC1423	2.68	2.75	1
CC1431	1.78	3.38	1
CC1432	3.31	3.38	
CC1433	4.84	3.38	
CC1441	2.12	4.00	1
CC1442	4.00	4.00	
CC1443	5.87	4.00	
CC1451	2.87	4.50	1
CC1452	5.56	4.50	
CC1453	8.28	4.50	
CH1321			3
CH1322	-	-	
CH1323			
CH1331			3
CH1332	-	-	
CH1333			