

6609053-5 Product Details



6609053-5
(6EHT1)

TE Internal Number: 6609053-5



Active

EMI/RFI Filters and Accessories

 Always EU RoHS/ELV Compliant (Statement of Compliance)

Product Highlights:

- Filter - EMI/RFI
- Filter Type = Power Line
- HT (6-15 Amp) Series
- Medical Application
- Mount Style = Flanged

Documentation & Additional Information

Product Drawings:

- [CUSTOMER DRAWING 6EHT1](#) (PDF, English)

Catalog Pages/Data Sheets:

- [1-1654250-1_CORCOM_EMI_RFI_QRG](#) (PDF, English)
- [1654001_CORCOM_PRODUCT_GUIDE_HT_SERIES](#) (PDF, English)

Product Specifications:

- None Available

Application Specifications:

- None Available

Instruction Sheets:

- None Available

CAD Files: (CAD Format & Compression Information)

- [2D Drawing](#) (DXF, Version E)
- [3D Model](#) (IGES, Version E)
- [3D Model](#) (STEP, Version E)

Additional Information:

- [Product Line Information](#)

Additional Product Images:

- [Insertion Loss/Specifications](#)

Related Products:

- [Tooling](#)

Product Features (Please use the Product Drawing for all design activity)

Product Type Features:

- [Product Type](#) = Filter - EMI/RFI
- [Filter Type](#) = Power Line
- [Series](#) = HT (6-15 Amp)
- [Filtered](#) = Yes

Electrical Characteristics:

- [Current Rating \(A\)](#) = 6
- [Voltage ≤ \(VAC\)](#) = 250
- Leakage Current (Line-to-Ground) Max. @ 120 VAC 60 Hz (μA) = 2
- Leakage Current (Line-to-Ground) Max. @ 250 VAC 50 Hz (μA) = 5

Termination Features:

- [Terminal Input - Output Combination](#) = 1/4" Faston - 1/4" Faston

Body Features:

- [Mount Style](#) = Flanged

Configuration Features:

- [Fuse Options](#) = None
- [Fuse Holder Type](#) = North American

Industry Standards:

- [RoHS/ELV Compliance](#) = RoHS compliant, ELV compliant
- [Lead Free Solder Processes](#) = Not relevant for lead free process
- RoHS/ELV Compliance History = Always was RoHS compliant
- Approved Standards = CSA Certified, UL Recognized, VDE Approved

Conditions for Usage:

- Facility Installation = No
- Need Min Size With IEC Connector = No
- Need Optional Switch, Fusing, Or Voltage Selector = No

Operation/Application:

- [Application](#) = Medical

Other:

- Brand = Corcom

6EHT1

SAFETY ORGANIZATION(S):

THIS FILTER HAS BEEN FORMALLY RECOGNIZED, CERTIFIED OR APPROVED BY THE LISTED AGENCY. THEREFORE, ALL TEST/REQUIREMENTS SPECIFIED IN THE LATEST REVISION OF THE FOLLOWING AGENCY STANDARDS HAVE BEEN MET.

UL RECOGNIZED
CSA CERTIFIED
VDE APPROVED
SEV PENDING

UL 544
CSA 22.2, NO.0,0.4,8
VDE 0565-3

OPERATING SPECIFICATIONS:

LINE VOLTAGE/CURRENT: 6 AMP, 120/250 VAC
5 AMP./40°C, 250 VAC

LINE FREQUENCY: 50-60Hz

MAX. LEAKAGE CURRENT, EACH:
LINE TO GROUND: 2 μ A at 120V 60Hz
5 μ A at 250V 50Hz

OPERATING AMBIENT TEMP. RANGE: -10°C TO +40°C @ RATED CURRENT, I_r

IN AN AMBIENT, T_a , HIGHER THAN 40°C, THE MAXIMUM OPERATING CURRENT, I_o , IS AS FOLLOWS:

$$I_o = I_r \sqrt{\frac{85 - T_a}{45}}$$

RELIABILITY SPECIFICATIONS:

STORAGE TEMPERATURE: -40°C TO +85°C
HUMIDITY: 21 DAYS @ 40°C 95% RH
CURRENT OVERLOAD TEST: 6 TIMES RATED CURRENT FOR 8 SECONDS

TEST SPECIFICATIONS:

INDUCTANCE: 18.5 mH NOMINAL
CAPACITANCE: (MEASURED @ 1 KHz, 0.25VAC MAX., 25°C±1°C)

LINE TO LINE: .94 μ F ±20%
DISCHARGE RESISTOR: 330K Ω

LINE/GROUND AND LINE/LINE: 6000M Ω (MIN) AT 100VDC
INSULATION RESISTANCE: 20°C AND 50% RH

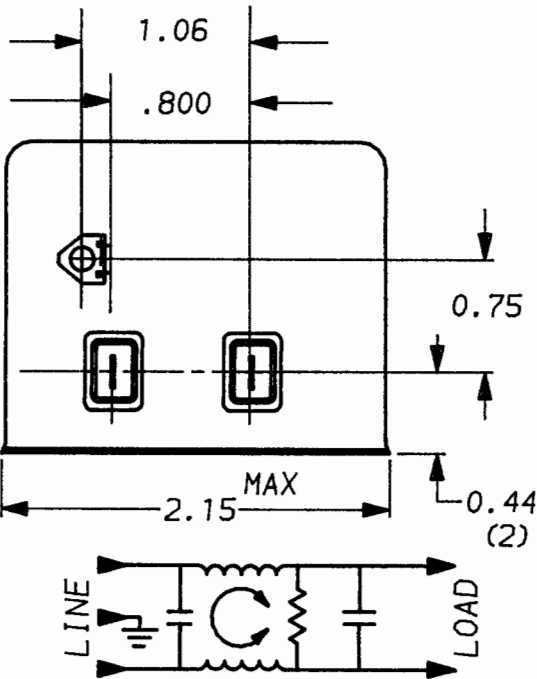
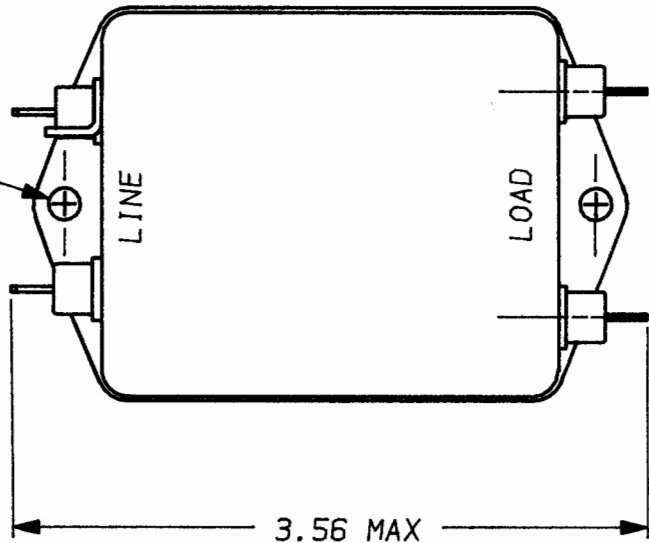
RECOMMENDED RECEIVING INSPECTION HIPOT:

LINES TO GROUND: 2250 VDC FOR 1 MINUTE
LINE TO LINE: 1450 VDC FOR 1 MINUTE

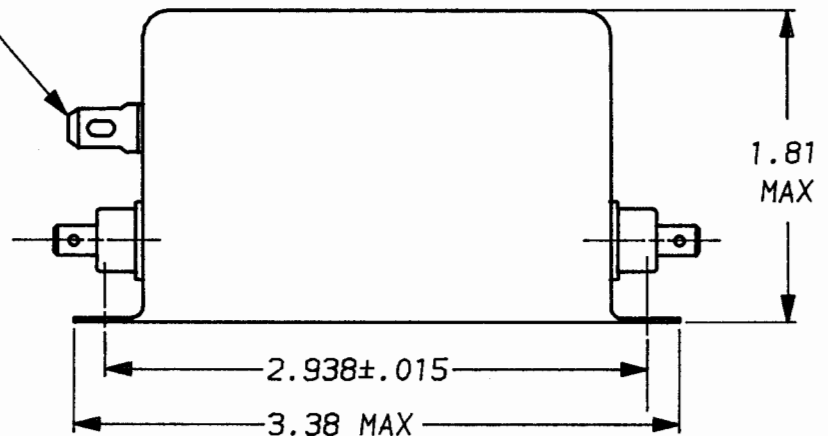
FILTER APPROVAL:

THE BEST WAY TO SELECT AND QUALIFY A FILTER IS FOR YOUR ENGINEERING TO TEST THE UNIT IN YOUR EQUIPMENT.

0.187±.010DIA
(2)



0.069 X 0.155 SLOT



50 Ω - 50 Ω (MINIMUM) INSERTION LOSS

FREQUENCY MHz	.01	.03	.05	.07	.15	.3	.5	1	2	5	8	10	20	30	/
COMMON dB	16	26	33	38	46	46	41	33	25	15	11	9	5	2	/
DIFF. dB	4	2	20	29	51	62	70	70	65	55	50	47	37	37	/

UNLESS OTHERWISE SPECIFIED,
TOLERANCE TO BE ±.025
MATERIAL & FINISH: AS SUPPLIED

corcom
LIBERTYVILLE, IL 60048

POWER LINE FILTER

This document is proprietary to CORCOM INC. and is not to be reproduced nor used for manufacturing purposes except on CORCOM's prior written consent.

DATE: 10-5-93 CATALOG NO.

APPRVD. T.A.M.

6EHT1

ECO NO.

6EHT1.02