

1609112-8 Product Details



1609112-8
(10CS1)

TE Internal Number: 1609112-8

 Active

EMI/RFI Filters and Accessories

 Always EU RoHS/ELV Compliant (Statement of Compliance)

Product Highlights:

- Filter - EMI/RFI
- Filter Type = Power Entry (Filtered/Unfiltered)
- C (1-10 Amp) Series
- General Purpose Application
- Mount Style = Snap-in

Documentation & Additional Information

Product Drawings:

- [CUSTOMER DRAWING 10CS1](#) (PDF, English)

Catalog Pages/Data Sheets:

- [1-1654250-1_CORCOM_EMI_RFI_QRG](#) (PDF, English)
- [1654001_Corcom_Product_Guide_C_Series](#) (PDF, English)

Product Specifications:

- None Available

Application Specifications:

- None Available

Instruction Sheets:

- None Available

CAD Files:

- None Available

Additional Information:

- [Product Line Information](#)

Additional Product Images:

- [Insertion Loss/Specifications](#)

Related Products:

- [Tooling](#)

Product Features (Please use the Product Drawing for all design activity)

Product Type Features:

- [Product Type](#) = Filter - EMI/RFI
- [Filter Type](#) = Power Entry (Filtered/Unfiltered)
- [Series](#) = C (1-10 Amp)
- [Filtered](#) = Yes
- [Type of Connector](#) = IEC 320/C-14

Electrical Characteristics:

- [Current Rating \(A\)](#) = 10
- [Voltage ≤ \(VAC\)](#) = 250
- Leakage Current (Line-to-Ground) Max. @ 120 VAC 60 Hz (µA) = 2
- Leakage Current (Line-to-Ground) Max. @ 250 VAC 50 Hz (µA) = 5

Termination Features:

- [Terminal Input - Output Combination](#) = IEC - 1/4" Faston

Body Features:

- [Mount Style](#) = Snap-in
- [Switch Type](#) = DPST

Configuration Features:

- [Extender Options](#) = None

Industry Standards:

- [RoHS/ELV Compliance](#) = RoHS compliant, ELV compliant
- [Lead Free Solder Processes](#) = Not relevant for lead free process
- [RoHS/ELV Compliance History](#) = Always was RoHS compliant
- [Approved Standards](#) = CSA Certified, VDE Approved, UL Recognized

Conditions for Usage:

- [Facility Installation](#) = No
- [Need Min Size With IEC Connector](#) = Yes
- [Need Optional Switch, Fusing, Or Voltage Selector](#) = Yes

Operation/Application:

- [Application](#) = General Purpose

Other:

- [Brand](#) = Corcom

SAFETY ORGANIZATIONS

THIS FILTER HAS BEEN FORMALLY RECOGNIZED, CERTIFIED OR APPROVED BY THE LISTED AGENCY. ALL TEST/REQUIREMENTS SPECIFIED IN THE LATEST REVISION OF THE FOLLOWING AGENCY STANDARDS HAVE BEEN MET:

- UL RECOGNIZED: UL 498
- CSA CERTIFIED: CSA 22.2, # 42 (THROUGH UL)
- VDE APPROVED: EN 60320-1

OPERATING SPECIFICATIONS

LINE CURRENT/VOLTAGE: 10 AMP, 120/250 VAC,
10 AMP/40°C, 250 VAC

LINE FREQUENCY: 50-60Hz

MAXIMUM LEAKAGE CURRENT,
EACH LINE TO GROUND: 2 μ A @120V 60Hz
5 μ A @250V 50Hz

OPERATING AMBIENT TEMP. RANGE: -10°C TO +40°C @ RATED CURRENT, I_r.

IN AN AMBIENT, T_a, HIGHER THAN 40°C, THE MAXIMUM OPERATING CURRENT, I_o, IS AS FOLLOWS:

$$I_o = I_r \sqrt{\frac{100 - T_a}{60}}$$

RELIABILITY SPECIFICATIONS:

STORAGE TEMPERATURE: -40°C TO +85°C
HUMIDITY: 21 DAYS @ 40°C 95% RH,
CURRENT OVERLOAD TEST: 6 TIMES I_r FOR
8 SECONDS

TEST SPECIFICATIONS:

INDUCTANCE: 0 mH NOMINAL
CAPACITANCE: (MEASURED @ 1KHz, 0.250VAC MAX., 25°C±1°C)
LINE TO GROUND: N/A
LINE TO LINE: N/A
DISCHARGE RESISTOR: N/A
L/G AND L/L I.R.
NO DISCHARGE RESISTOR: 6000Ω (MIN.) @ 100VDC,
20°C AND 50% RH

RECOMMENDED RECEIVING INSPECTION HIPOT:

LINE TO GROUND: 1500 VAC FOR 1 MINUTE
LINE TO LINE: 1450 VDC FOR 1 MINUTE

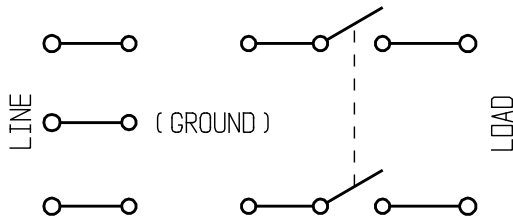
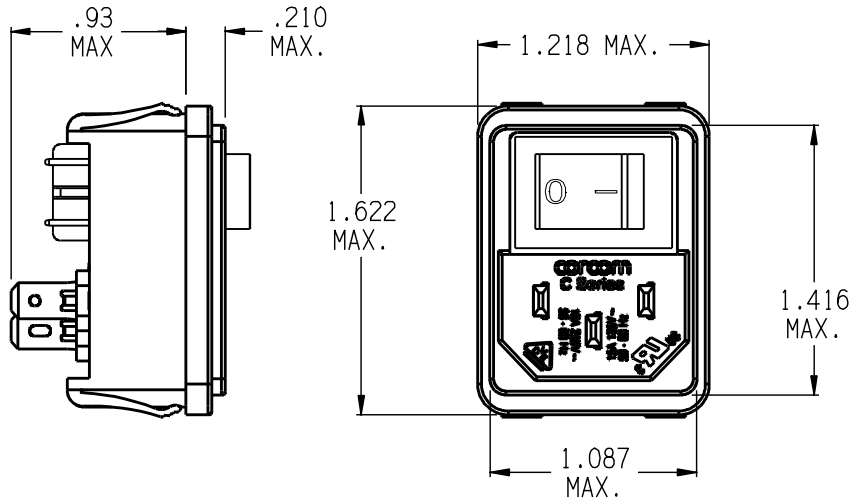
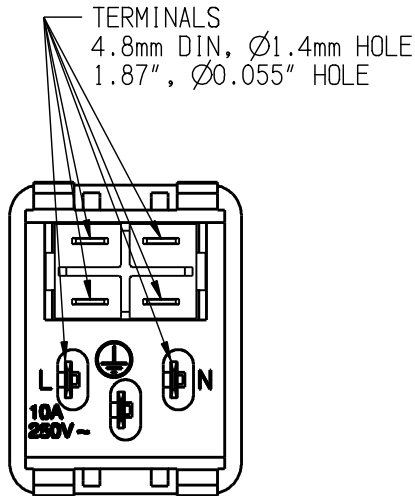
FILTER APPROVAL:

THE BEST WAY TO SELECT AND QUALIFY A FILTER IS FOR YOUR ENGINEERING TO TEST THE UNIT IN YOUR EQUIPMENT.

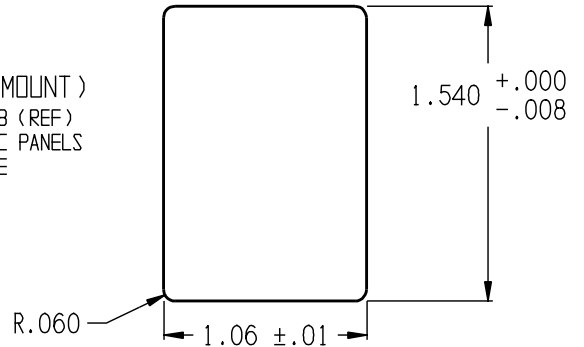
CUSTOMER DRAWING

CATALOG # 10CS1

ECO #	APPRVD.	DATE
07-011633	ELC	23APR09



PANEL CUTOUT (FRONT MOUNT)
PANEL THICKNESS 0.031-0.098 (REF)
NOT RECOMMENDED FOR PLASTIC PANELS
INSTALLATION SIDE MUST HAVE
.02 MIN RADIUS EDGES



50 Ω - 50 Ω (MINIMUM) INSERTION LOSS

FREQUENCY MHz	/	/	/	/	/	/	/	/	/	/	/
COMMON dB	/	/	/	/	/	/	/	/	/	/	/
DIFF. dB	/	/	/	/	/	/	/	/	/	/	/

PARTS SHALL COMPLY WITH TYCO ELECTRONICS 230-702 SPECIFICATION FOR HAZARDOUS SUBSTANCES

UNLESS OTHERWISE SPECIFIED
TOLERANCE TO BE ±0.025
MATERIAL & FINISH: AS SUPPLIED

Tyco Electronics
CORCOM PRODUCTS, 620 S. BUTTERFIELD RD. MUNDELEIN IL 60060

NOTES:

POWER ENTRY MODULE
TYCO ELECTRONICS PART NO. 0-1609112-8

SHEET SIZE: A
THIRD ANGLE PROJECTION:

THIS INFORMATION IS CONFIDENTIAL AND PROPRIETARY TO TYCO ELECTRONICS CORPORATION AND ITS WORLDWIDE SUBSIDIARIES AND AFFILIATES. IT MAY NOT BE DISCLOSED TO ANYONE OTHER THAN TYCO ELECTRONICS PERSONNEL, WITHOUT WRITTEN AUTHORIZATION FROM TYCO ELECTRONICS CORPORATION, HARRISBURG, PENNSYLVANIA USA.

CVM AVAILABLE: YES NO

G:\KeyCreator_Director\tes\CD 10CS1-A.ckd

SCALE: 1:1 DATE: 15JUL08 DRAWING NUMBER: 10CS1 REV. A
DRW. BY: LJD ORIG: ELC