

1-6609016-6 Product Details



1-6609016-6
(10ED1)

TE Internal Number: 1-6609016-6



EMI/RFI Filters and Accessories

 Always EU RoHS/ELV Compliant (Statement of Compliance)

Product Highlights:

- Filter - EMI/RFI
- Filter Type = Power Line
- ED (1-15 Amp) Series
- General Purpose Application
- Mount Style = Flanged

Documentation & Additional Information

Product Drawings:

- [CUSTOMER DRAWING 10ED1](#) (PDF, English)

Catalog Pages/Data Sheets:

- [1654001_Corcom_Product_Guide_ED_Series](#) (PDF, English)

Product Specifications:

- None Available

Application Specifications:

- None Available

Instruction Sheets:

- None Available

CAD Files: ([CAD Format & Compression Information](#))

- [2D Drawing](#) (DXF, Version B)
- [3D Model](#) (IGES, Version B)
- [3D Model](#) (STEP, Version B)

Additional Information:

- [Product Line Information](#)

Additional Product Images:

- [Insertion Loss/Specifications](#)

Related Products:

- [Tooling](#)

Product Features (Please use the Product Drawing for all design activity)

Product Type Features:

- [Product Type](#) = Filter - EMI/RFI
- [Filter Type](#) = Power Line
- [Series](#) = ED (1-15 Amp)
- [Ground Choke Option](#) = Without
- [Filtered](#) = Yes
- [Type of Connector](#) = IEC 320/C-14

Electrical Characteristics:

- [Current Rating \(A\)](#) = 10
- [Voltage \$\leq\$ \(VAC\)](#) = 250
- [Leakage Current \(Line-to-Ground\) Max. @ 250 VAC 50 Hz \(mA\)](#) = 0.38
- [Leakage Current \(Line-to-Ground\) Max. @ 120 VAC 60 Hz \(mA\)](#) = 0.22

Termination Features:

- [Terminal Input - Output Combination](#) = IEC - 1/4" Faston

Body Features:

- [Mount Style](#) = Flanged
- [Terminal Style Output](#) = Straight

Industry Standards:

- [RoHS/ELV Compliance](#) = RoHS compliant, ELV compliant
- [Lead Free Solder Processes](#) = Not relevant for lead free process
- [RoHS/ELV Compliance History](#) = Always was RoHS compliant
- [Approved Standards](#) = VDE Approved, UL Recognized, CSA Certified

Conditions for Usage:

- [Facility Installation](#) = No
- [Need Min Size With IEC Connector](#) = Yes
- [Need Optional Switch, Fusing, Or Voltage Selector](#) = No

Operation/Application:

- [Application](#) = General Purpose

Other:

- [Brand](#) = Corcom

SAFETY ORGANIZATIONS

THIS FILTER HAS BEEN FORMALLY RECOGNIZED, CERTIFIED OR APPROVED BY THE LISTED AGENCY. THEREFORE, ALL TEST/REQUIREMENTS SPECIFIED IN THE LATEST REVISION OF THE FOLLOWING AGENCY STANDARDS HAVE BEEN MET:

UL RECOGNIZED: UL 1283
 CSA CERTIFIED: CSA 22.2, # 8
 VDE APPROVED: EN 133200

OPERATING SPECIFICATIONS

LINE CURRENT/VOLTAGE: 10 AMP/40°C, 120/250VAC

LINE FREQUENCY: 50-60Hz

MAXIMUM LEAKAGE CURRENT,
 EACH LINE TO GROUND: 0.22mA @ 120V, 60Hz
 0.38mA @ 250V, 50Hz

OPERATING AMBIENT TEMP. RANGE: -10°C TO +40°C @ RATED CURRENT, I_r .

IN AN AMBIENT, T_0 , HIGHER THAN 40°C, THE MAXIMUM OPERATING CURRENT, I_0 , IS AS FOLLOWS:

$$I_0 = I_r \sqrt{\frac{100 - T_0}{60}}$$

RELIABILITY SPECIFICATIONS:

STORAGE TEMPERATURE: -40°C TO +85°C
 HUMIDITY: 21 DAYS @ 40°C 95% RH.
 CURRENT OVERLOAD TEST: 6 TIMES I_r FOR 8 SECONDS

TEST SPECIFICATIONS:

INDUCTANCE: 0.36mH NOMINAL
 CAPACITANCE: (MEASURED @ 1KHz, 0.250VAC MAX., 25°C±1°C)
 LINE TO GROUND: 0.0059µF ±20%
 LINE TO LINE: 0.1015µF ±20%
 DISCHARGE RESISTOR: 3.3MΩ
 L/G AND L/L I.R.:
 NO DISCHARGE RESISTOR: 6000MΩ (MIN.) @ 100VDC, 20°C AND 50% RH

RECOMMENDED RECEIVING INSPECTION HIPOT:

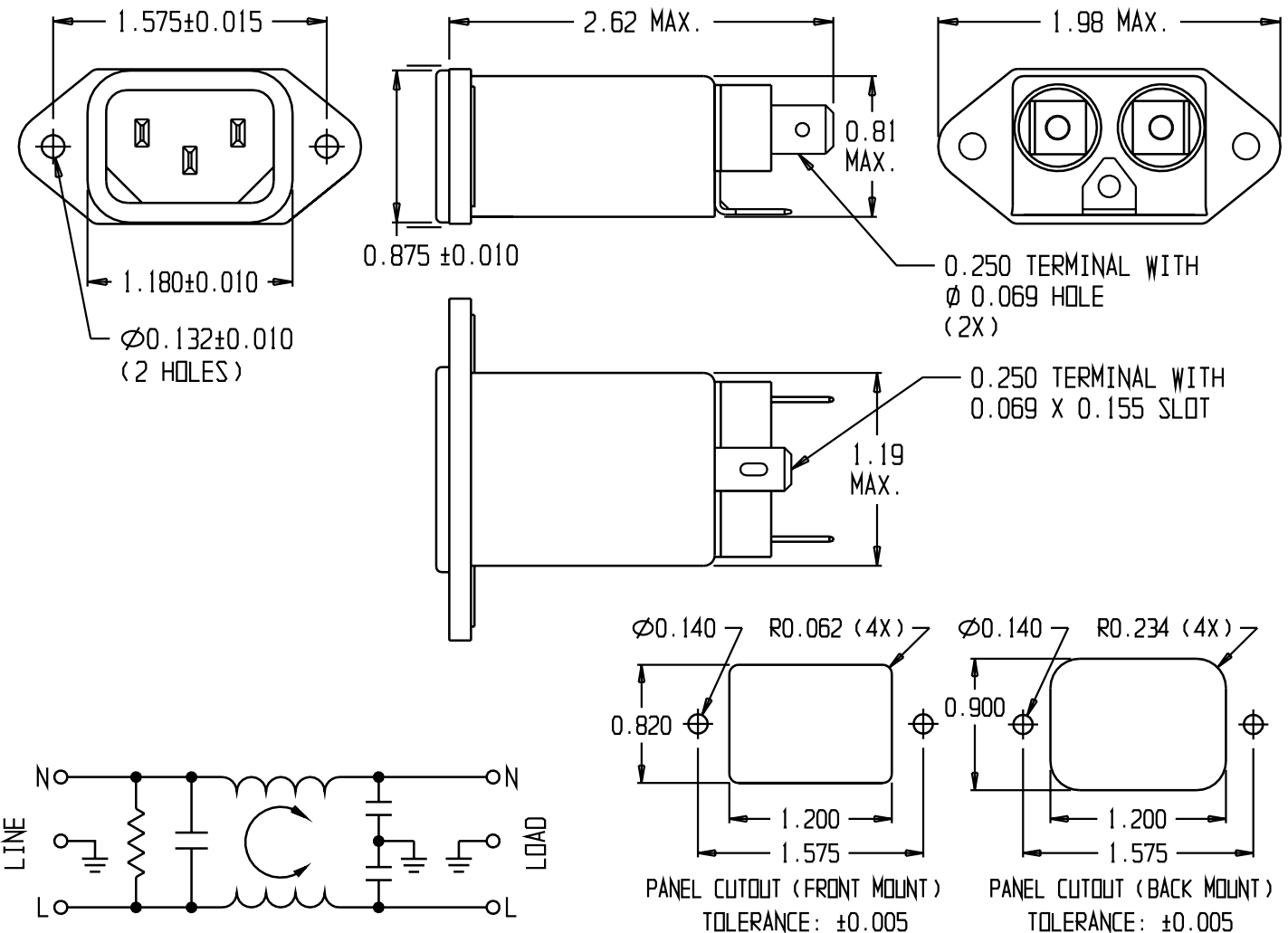
LINE TO GROUND: 1500VAC OR 2250VDC FOR 1 MINUTE
 LINE TO LINE: 1450VDC FOR 1 MINUTE

FILTER APPROVAL:

THE BEST WAY TO SELECT AND QUALIFY A FILTER IS FOR YOUR ENGINEERING TO TEST THE UNIT IN YOUR EQUIPMENT.

CATALOG # 10ED1

ECD #	APPRVD.	DATE
	KAW	21NOV06



50Ω- 50Ω (MINIMUM) INSERTION LOSS

FREQUENCY MHz	0.15	0.5	1.0	2.0	5.0	10	20	30		
COMMON dB	8	14	20	27	35	39	43	45		
DIFF. dB	8	20	25	32	38	44	47	47		

THIRD ANGLE PROJECTION



UNLESS OTHERWISE SPECIFIED, TOLERANCE TO BE ±.025 MATERIAL & FINISH: AS SUPPLIED

This document is proprietary to CORCOM INC. and is not to be reproduced nor used for manufacturing purposes except on CORCOM'S prior written consent.

tyco Electronics **corcom**
 620 S. BUTTERFIELD ROAD MUNDLEIGH IL 60060

CUSTOMER DRAWING 10ED1

TYCO: 1-6609016-6		SCALE: NTS	DATE: 12SEP89	CATALOG NO.	REV.
DRW. BY: JF	DRG: CW	10ED1		B	