



Magnecraft

Your Contact for Industrial Relays

relay solutions

PRODUCTS

COMPANY

SALES CHANNELS

SEARCH

LIBRARY

Features & Benefits:

[Plug-In & Power Relays](#)

[Sockets](#)

[Accessories](#)

[Solid State Relays](#)

[Time Delay & Sensor Relays](#)

[Power Relays](#)

[Latching & Sequencing Relays](#)

[Printed Circuit Board Relays](#)

[All Categories > Accessories > Item # 16-782C1](#)

[Request Information](#)

Item # 16-782C1 Relay Adapters

[Printable Page](#)

[Email This Page](#)

[Save To Favorites](#)

-- Quick Search --

Search Distributor Inventory & Buy Online

Locate A Distributor

Cross-Reference A Part Number

Product Search

Select one of the Quick Search categories to conduct a search

Relay Adapters

Top/Bottom Flange Adapter

Relay Flange Adapters

There is No Need to Purchase a Socket.

- Flange mounting.
- Plastic construction.
- Light weight.
- Low cost.
- Low profile.
- Narrow mounting.
- Easy termination.

Top/Bottom Flange Adapters allow the 700 Series relays to be direct mounted on a panel.

This Item is Normally Stocked

MORE IMAGES

- [Relay Flange Adapters](#)
- [Example](#)

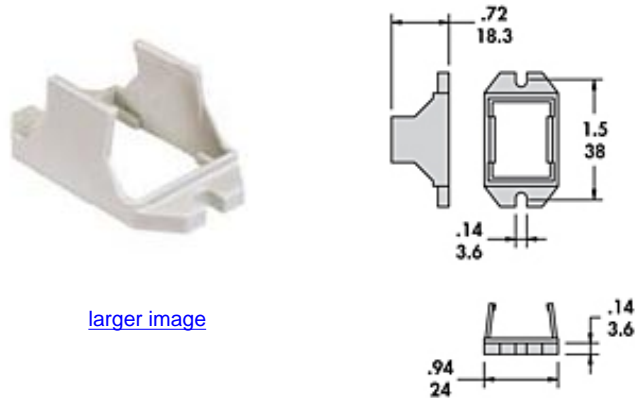
VIEW CAD DRAWING

- [Front View](#)
- [Right Side View](#)
- [3D](#)

[Order Solutions Guide](#)

[Order Free Samples](#)

[Tell Us How We're Doing](#)



[larger image](#)

[larger image](#)

Specifications

Package Style	C1
Function	Flanged Panel Adapter
Mating Relays	782XAX, XBX, XCX, XDX

[Request Information](#)