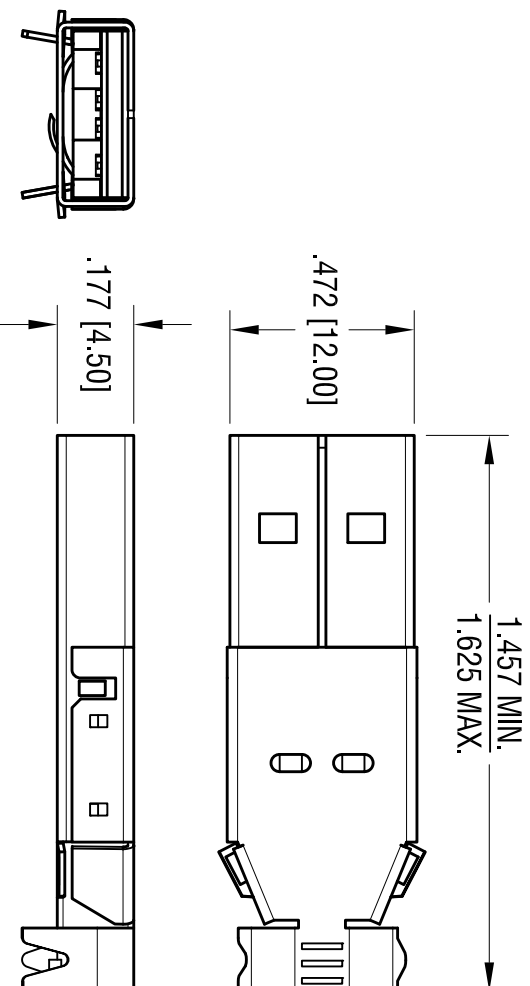


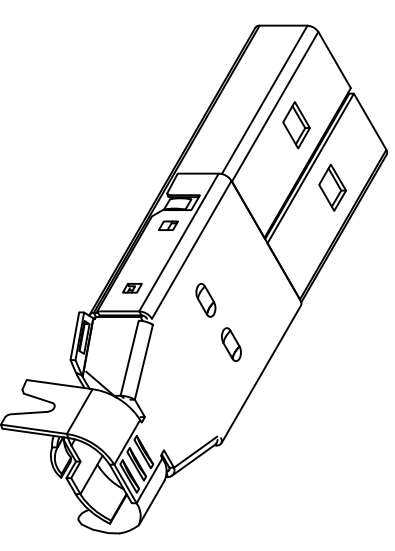
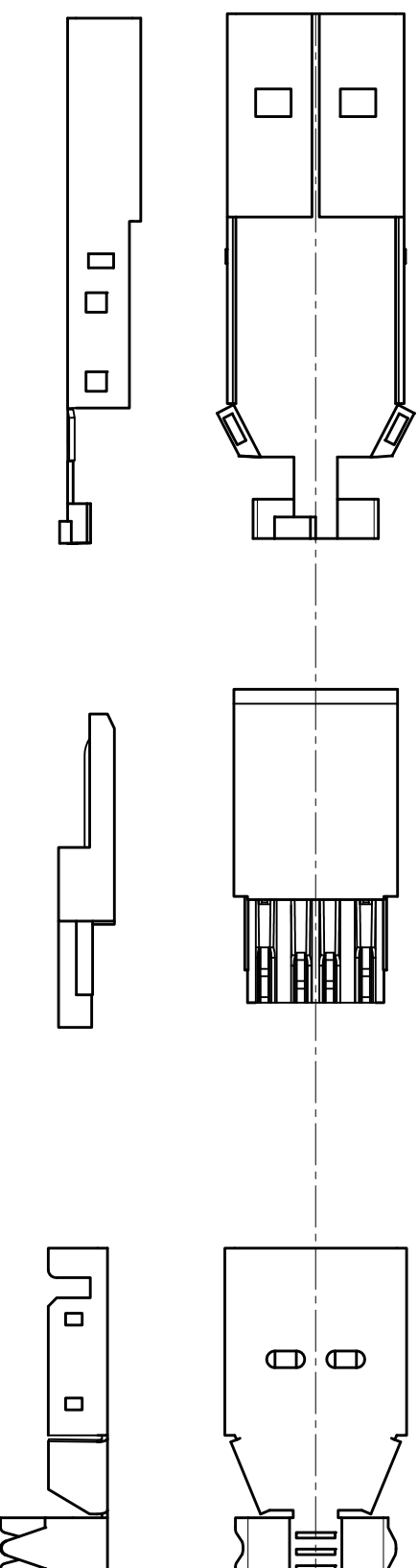
DATE	DESCRIPTION	REV.
4.14.00	CHANGE AS PER ECN 00-024	C
6.8.05	CHANGE AS PER ECN 056-035	D
6.30.08	CHANGE AS PER ECN 08-116	E
12.17.09	CHANGE AS PER ECN 09-191	F
12.21.12	CHANGE AS PER ECN 12-162	G



FRONT SHELL

INSULATOR BODY

REAR SHELL



Notes:

Materiall:

Shell: Mat'l- Steel

Finish: Nickel plate, over Copper Plate

Insulator: PBT

Contacts: Bronze

Finish:

Contact Area: Gold Plate over Nickel Plate

on Solder Tail: Tin Plate over Nickel Plate

THIS DOCUMENT IS THE PROPERTY OF KEYSTONE ELECTRONICS CORP. AND SHALL NOT BE REPRODUCED, DISTRIBUTED OR USED AS A BASIS FOR MANUFACTURE WITHOUT PRIOR WRITTEN PERMISSION FROM KEYSTONE ELECTRONICS CORP.

KEYSTONE ELECTRONICS CORP.

www.keystec.com • ASTORIA, N.Y. 11105-2017 • Tel (718) 956-8900

PART NAME

USB A-TYPE PLUG

MATERIAL

AS NOTED

FINISH

AS NOTED

TOLERANCES	INCH	[MM]	CODE
DECIMAL	± .010	[± 0.25]	C/M
ANGULAR	± 1°		

UNLESS OTHERWISE SPECIFIED

DRN BY	DATE
BOONE	6.18.98
APP'D	SCALE
LN	2X
DWG NO.	925