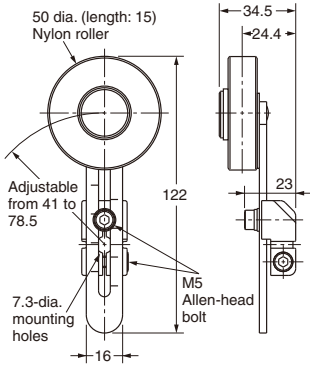
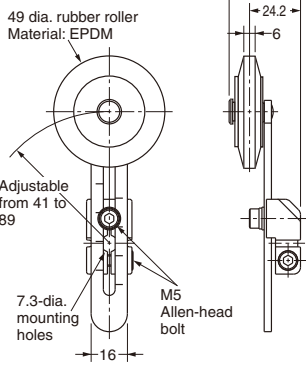


**Lever:** Only rotating lever models are illustrated.

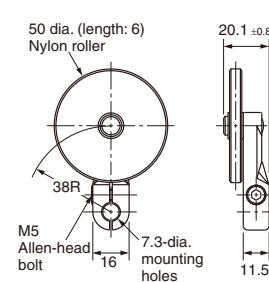
**WL-2A110**



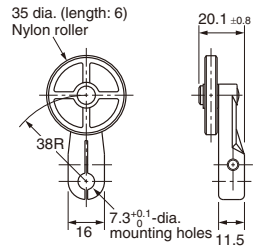
**WL-2A105**



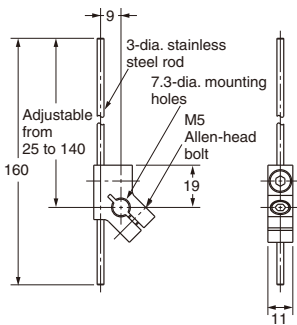
**WL-1A106**



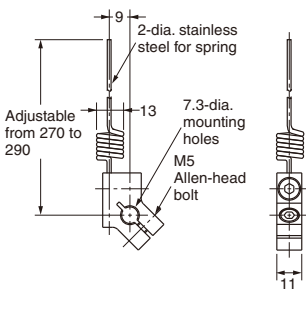
**WL-1A110**



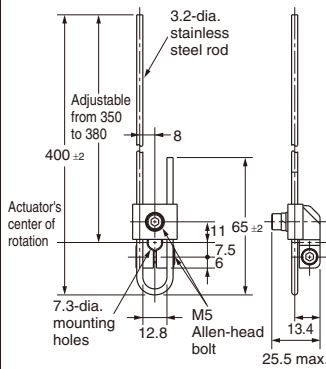
**WL-4A100**



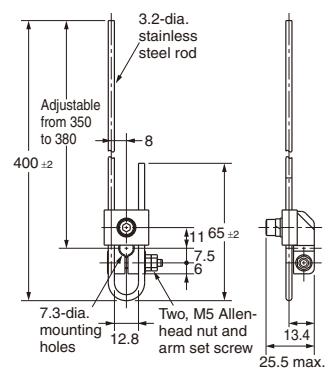
**WL-4A201**



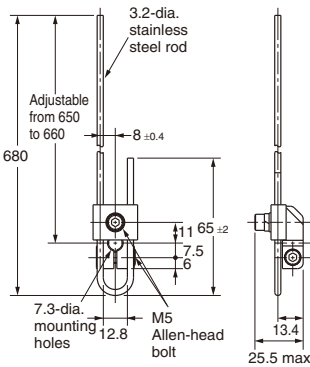
**WL-3A100**



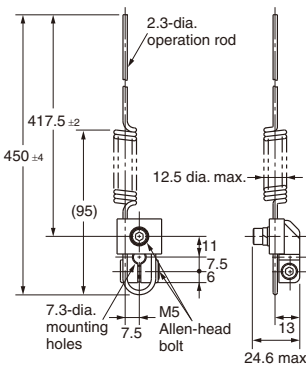
**WL-3A106 Double Nut**



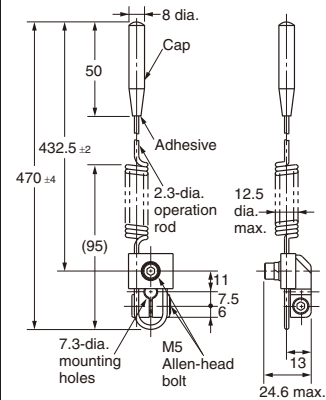
**WL-3A108**



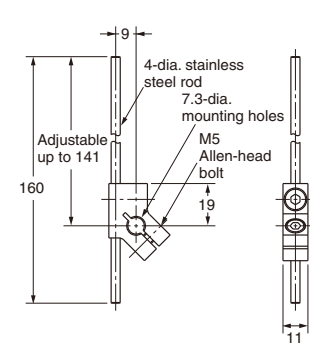
**WL-3A200**



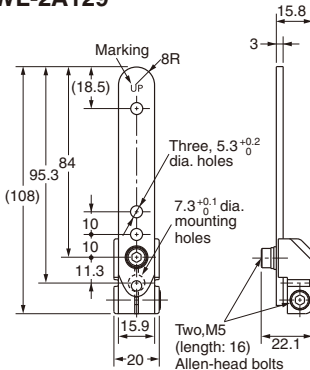
**WL-3A203**



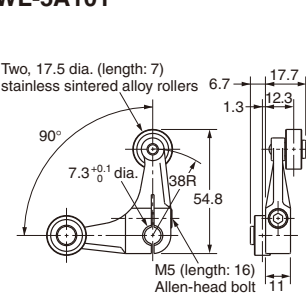
**WL-4A112**



**WL-2A129**

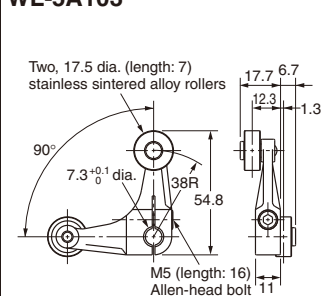


**WL-5A101**



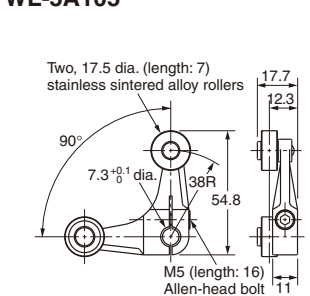
WL-5A100 has a plastic roller

**WL-5A103**



WL-5A102 has a plastic roller

**WL-5A105**



WL-5A104 has a plastic roller

Note: 1. Unless otherwise indicated, a tolerance of ±0.4 mm applies to all dimensions.

2. When using the adjustable roller (rod) lever, make sure that the lever is facing downwards. Use caution, as telegraphing (the Switch turns ON and OFF repeatedly due to inertia) may occur.