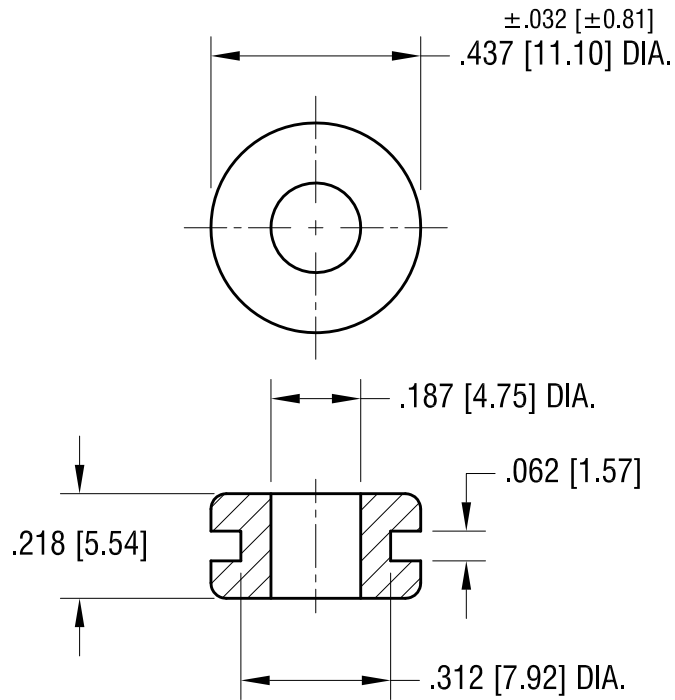
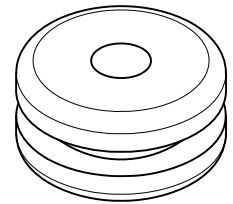


THIS DOCUMENT IS THE PROPERTY OF
KEYSTONE ELECTRONICS CORP. AND
SHALL NOT BE REPRODUCED, DISTRIBUTED
OR USED AS A BASIS FOR MANUFACTURE
WITHOUT PRIOR WRITTEN PERMISSION
FROM KEYSTONE ELECTRONICS CORP.



KEYSTONE ELECTRONICS CORP.

www.keyelco.com • ASTORIA, N.Y. 11105-2017 • Tel (718) 956-8900

PART NAME		RUBBER GROMMET	
MATERIAL		BUNA 'N'	
FINISH	-	DRN BY	BOONE
		APP'D	LN
		DATE	9.16.96
		SCALE	2.5X
TOLERANCES	INCH [MM]	CODE	DWG NO.
DECIMAL	$\pm .020 [\pm 0.50]$	C/M	731
ANGULAR	$\pm 1^\circ$		
UNLESS OTHERWISE SPECIFIED			

5.18.10	CHANGE AS PER ECN 10-036	A
DATE	DESCRIPTION	REV.