

Air Velocity Sensor

D6F-W01A1/D6F-W04A1 Air Velocity Sensor

Small size and highly efficient Flow sensor measuring Flow Velocity by OMRON's unique flow path structure



- It is designed to segregate dust by its flow path structure.
- High-intensity within $\pm 5\%$ F.S.

RoHS

case material	Applicable Gas	Flow Range	Model
Thermoplastic resin	Air	0-1m/s	D6F-W01A1
		0-4m/s	D6F-W04A1

Cable(Sell separately)

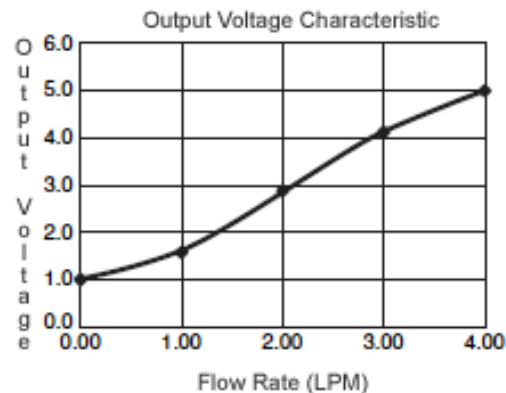
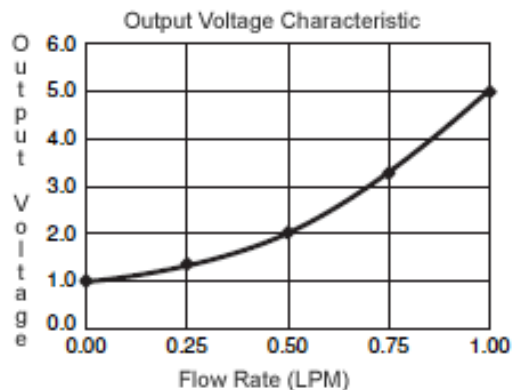
Contact	Wire	Housing	Model
SZH-002T-P0.5	AWG#26(200mm)	ZHR-3	D6F-W CABLE

Absolute maximum rating

Item	Symbol	Rating	Unit
Power Supply voltage	Vcc	26.4	VDC
Output Voltage	Vout	6	VDC

Output Voltage Characteristic
D6F-W01A1

D6F-W04A1

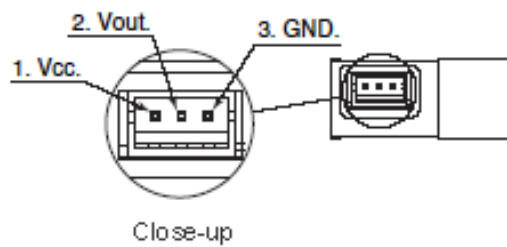


Caution: The value of Flow Velocity is converted from the mass flow rate in regulation wind tunnel 48mm.
As it is not measured in accordance with the Measurement Law, please confirm in an actual environment.

Characteristics

Item	Model	D6F-W01A1	D6F-W04A1
Flow range		0-1m/s	0-4m/s
		Flow range(Air Velocity at 25°C, 1 atmosphere)	
Flow range		Thermoplastic resin	
Recommended operation condition	Applicable Gas	Air	
	Operating temperature	-10-+60°C(with no icing or condensation)	
	Operating humidity	Under 85%RH(with no icing or condensation)	
	Storage temperature	-40-+80°C(with no icing or condensation)	
	Storage humidity	Under 85%RH(with no icing or condensation)	
Power Supply Voltage		10.8-26.4VDC	
Output Signal		Analog Output 1-5VDC Load resistance 10kΩ(Non-linear Output)	
Current Consumption		No-load, Vcc=12-24VDC, Vss=0V 25°C Max.15mA	
Insulation resistance		20MΩ(500VDC, between lead terminal and case)	
Dielectric Strength		500VAC 50/60Hz,1 minute (Leakage current Typ.1mA, between lead terminal and case)	

Connection



(Pin No.) 1:Vcc
2:Vout
3:GND

(Connector) S3B-ZR-SM2-TF
(Manufactured by JST Mfg. Co., Ltd.)

For this sensor, please use connector manufactured by JST Mfg. Co., Ltd.

Contact/Wire

Contact : SZH-002T-P 0.5

Wire : AWG#28-#26

or

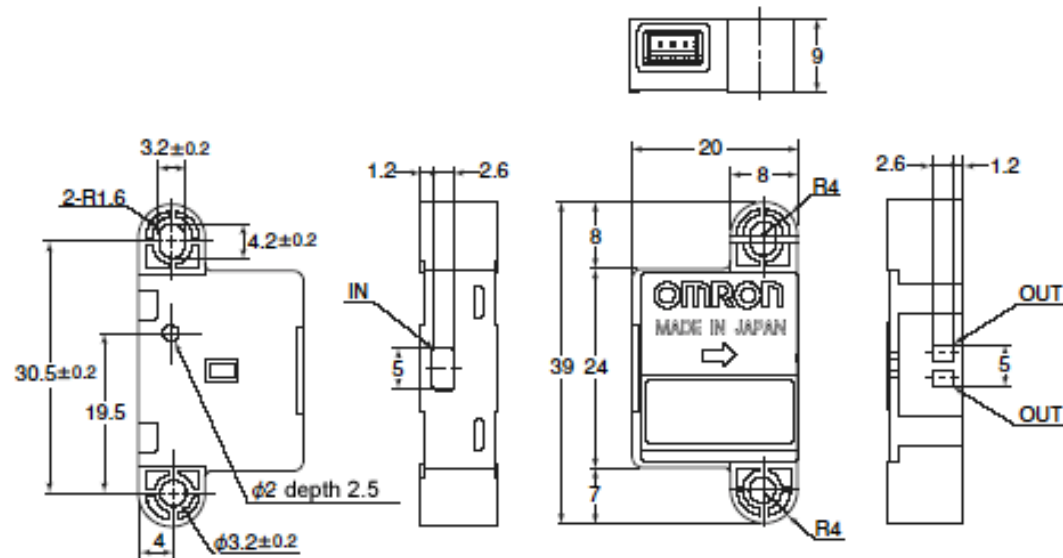
Contact : SZH-003T-P 0.5

Wire : AWG#32-#28

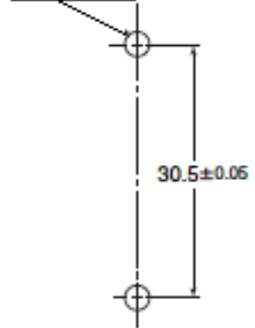
Housing: ZHR-3

(Unit : mm)

D6F-W01A1
D6F-W04A1



Mounting hole dimension
2-M3 Screw



Cable (Sell separately)
D6F-W CABLE

