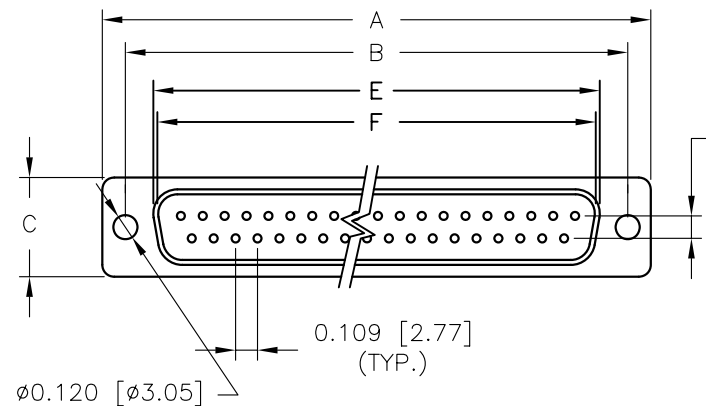
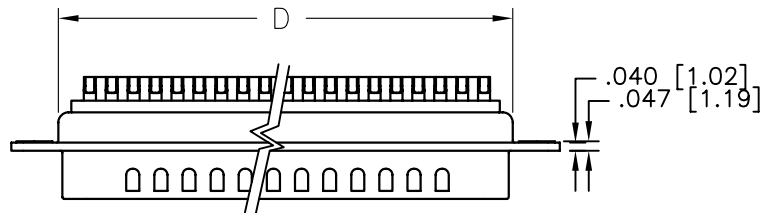
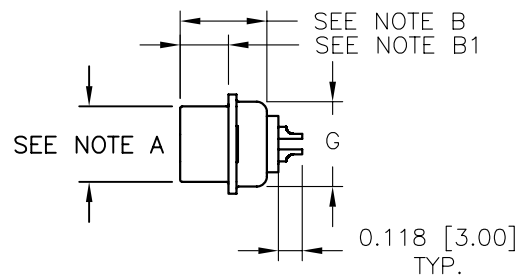


REVISIONS				
ZONE	REV	DESCRIPTION	DATE	APPROVED



9 THROUGH 37 POSITION

0.112 [2.84] (TYP.)
9, 15, 25 & 37 ONLY

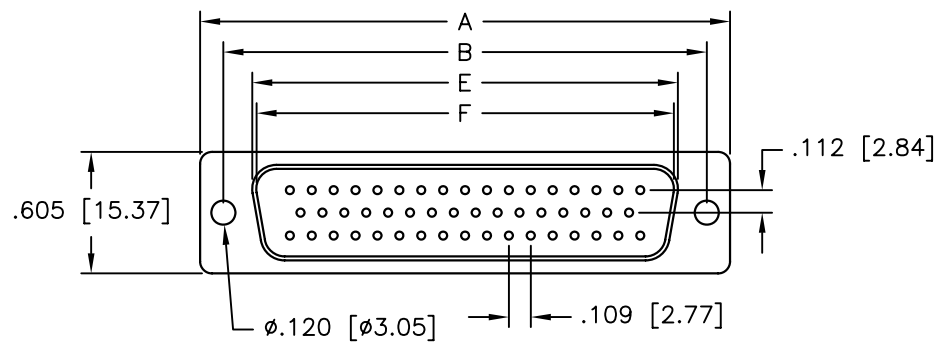
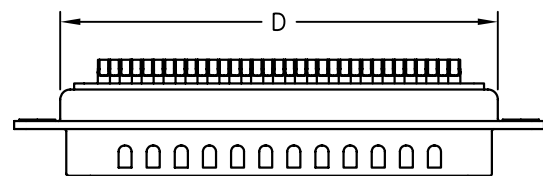


NOTE A: 9, 15, 25 & 37 MALE: 0.327 [8.30]
9, 15, 25 & 37 FEMALE: 0.311 [7.90]

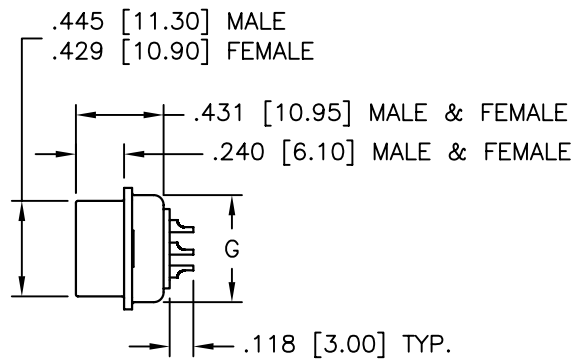
NOTE B: 9, 15, 25 & 37 MALE: 0.431 [10.95]
9, 15, 25 & 37 FEMALE: 0.423 [10.75]

NOTE B1: 9, 15, 25 & 37 MALE: 0.236 [5.99]
9, 15, 25 & 37 FEMALE: 0.236 [5.99]

D SERIES CONNECTORS		DIMENSIONS INCHES [MM]						
No. of Contacts	Shell Size	A	B	C	D	E Max. Female	F Min. Male	G
		± 0.010 [± 0.254]	± 0.010 [± 0.254]	± 0.010 [± 0.254]	± 0.010 [± 0.254]	± 0.010 [± 0.254]	± 0.010 [± 0.254]	± 0.010 [± 0.254]
09	E	1.213 [30.81]	0.984 [24.99]	0.494 [12.55]	0.759 [19.28]	0.643 [16.33]	0.666 [16.92]	0.422 [10.72]
15	A	1.541 [39.14]	1.310 [33.27]	0.494 [12.55]	1.089 [27.65]	0.971 [24.66]	0.994 [25.25]	0.422 [10.72]
25	B	2.088 [53.04]	1.850 [46.99]	0.494 [12.55]	1.626 [41.30]	1.511 [38.38]	1.534 [38.96]	0.422 [10.72]
37	C	2.730 [69.34]	2.500 [63.50]	0.494 [12.55]	2.261 [57.44]	2.159 [54.84]	2.182 [55.42]	0.422 [10.72]
50	D	2.638 [67.00]	2.406 [61.11]	0.605 [15.37]	2.178 [55.32]	2.064 [52.43]	2.079 [52.81]	0.527 [13.40]



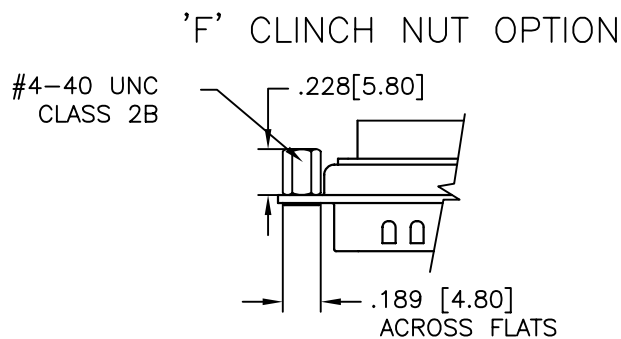
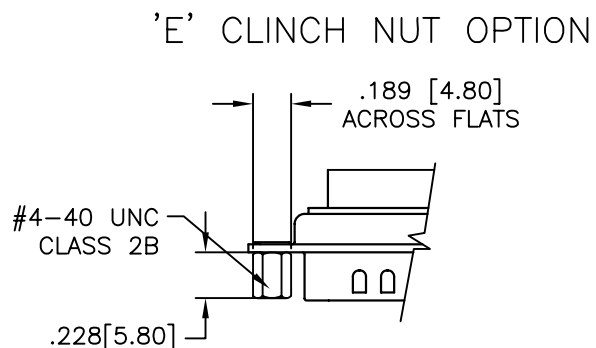
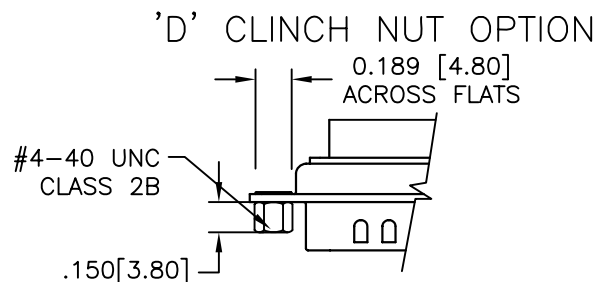
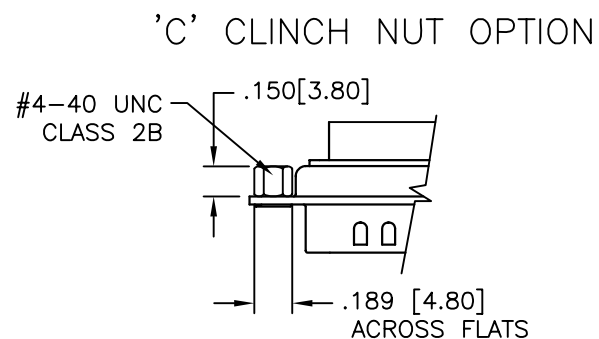
50 POSITION



UNLESS OTHERWISE SPECIFIED		Northern Technologies <small>THIS DRAWING IS THE PROPERTY OF NORTHERN TECHNOLOGIES AND SHOULD NOT BE REPRODUCED WITHOUT NORTHERN TECHNOLOGIES WRITTEN PERMISSION.</small>		
1. ALL DIMENSIONS ARE IN INCHES (MM) 2. DIMENSIONS ARE TYPICAL				
DRAWN	JSD	13-OCT-05	PART NUMBER SEE ORDER INFORMATION	
CHECKED	SCN	13-OCT-05	DESCRIPTION DE SERIES CONNECTORS	
ISSUED		13-OCT-05	SIZE B	CODE 200_155
			DWG NO.	0002-200-155
			SCALE 1:1	SHEET 1 OF 2

THIS IS A CONTROLLED DOCUMENT AND IS SUBJECT TO CHANGE. CONTACT NORTHERN TECHNOLOGIES ENGINEERING FOR THE LATEST REVISION.

REVISIONS				
ZONE	REV	DESCRIPTION	DATE	APPROVED
	A	ECN 0594	08-MAY-06	
	B	ECN 0619	25-AUG-06	
	C	ECN 0639	05-DEC-07	
	D	ECN 0654	16-MAY-08	



FACTORY DESIGNATOR
LEAVE BLANK ()

ORDER INFORMATION

() D E 25 P TE S C S30

SERIES _____

RoHS _____

NO. OF CONTACTS _____

P: MALE _____

S: FEMALE _____

[CONTACT PLATING]

- EMPTY: GOLD FLASH OVER NICKEL - ENTIRE CONTACT
- S: GOLD FLASH AT MATING END - TINNED SOLDER CUP (STAMPED AND FORMED CONTACTS OPTION)
- S30: 30uI GOLD AT MATING END - TINNED SOLDER CUP [CONTACT FACTORY FOR OTHER PLATING OPTIONS]

EMPTY: NO OPTIONS

- C: REAR MOUNT CLINCH NUT .150 [3.80]
- D: FRONT MOUNT CLINCH NUT 0.150 [3.80]
- E: FRONT MOUNT CLINCH NUT 0.228 [5.80]
- F: REAR MOUNT CLINCH NUT 0.228 [5.80]

S: STAMPED AND FORMED CONTACTS

EMPTY: MACHINED CONTACTS

TE: TIN PLATED WITH GROUNDING INDENTS (MALE ONLY)

T: TIN PLATED NO GROUNDING INDENTS (FEMALE ONLY)

NE: NICKEL PLATED WITH GROUNDING INDENTS (MALE ONLY)

N: NICKEL PLATED NO GROUNDING INDENTS (FEMALE ONLY)

NOTES:

1. SHELL MATERIAL: STEEL
2. SHELL FINISH: SEE ORDER INFORMATION
3. INSULATOR MATERIAL: THERMOPLASTIC / PBT UL94V-0
4. INSULATOR COLOR: BLACK
5. CONTACTS: COPPER ALLOY
6. VOLTAGE RATING: 250 VAC
7. CURRENT RATING: 3 AMPS MAX
8. CONTACT RESISTANCE: 15 MILLIOHMS MAX.
9. INSULATION RESISTANCE: 3000 MEGOHMS @ 500 VDC
10. DIELECTRIC WITHSTANDING VOLTAGE: 1000 VAC / 1 MINUTE
11. TEMPERATURE RANGE: -55° TO +105° CENTIGRADE

THIS IS A CONTROLLED DOCUMENT AND IS SUBJECT TO CHANGE. CONTACT NORTHERN TECHNOLOGIES ENGINEERING FOR THE LATEST REVISION.

UNLESS OTHERWISE SPECIFIED		Northern Technologies <small>THIS DRAWING IS THE PROPERTY OF NORTHERN TECHNOLOGIES AND SHOULD NOT BE REPRODUCED WITHOUT NORTHERN TECHNOLOGIES WRITTEN PERMISSION.</small>		
1. ALL DIMENSIONS ARE IN INCHES (MM)		PART NUMBER SEE ORDER INFORMATION		
2. DIMENSIONS ARE TYPICAL		DESCRIPTION DE SERIES CONNECTORS		
DRAWN JSD	13-OCT-05	SIZE B	CODE 200_155	DWG NO. 0002-200-155
CHECKED SCN	13-OCT-05	SCALE 1:1		REV
ISSUED	13-OCT-05			SHEET 2 OF 2