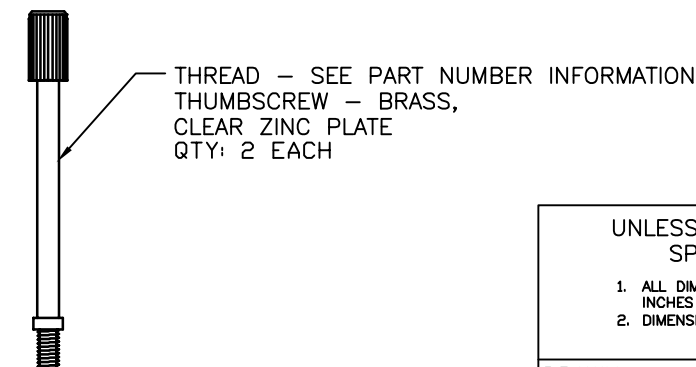
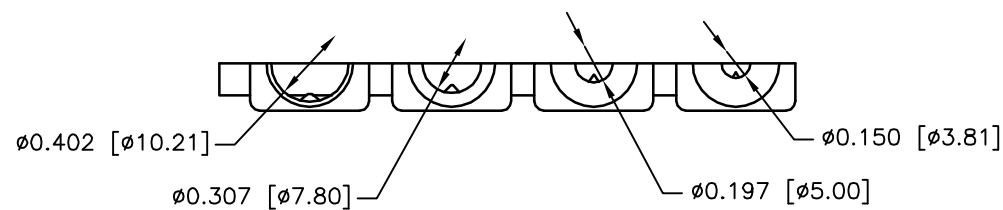
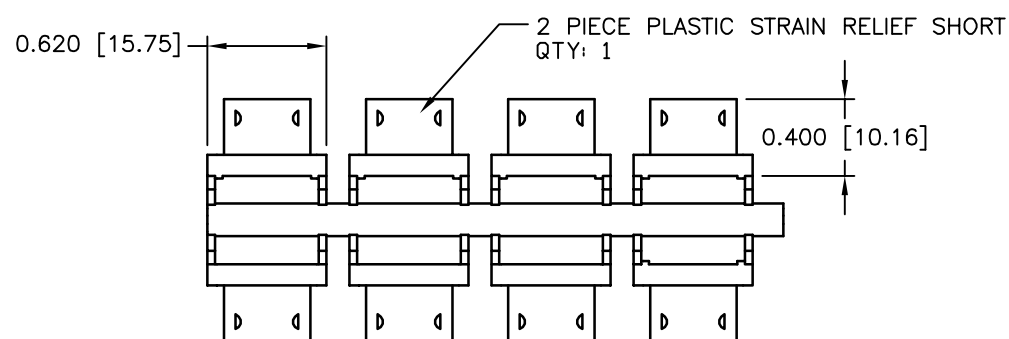
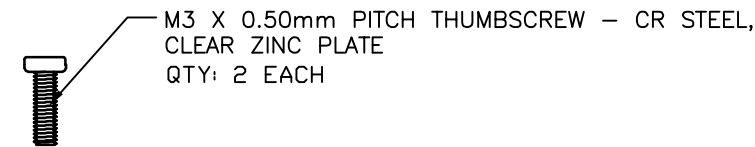
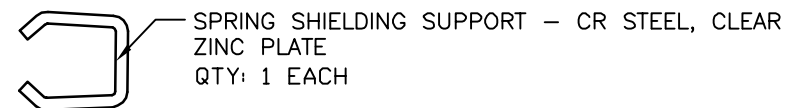
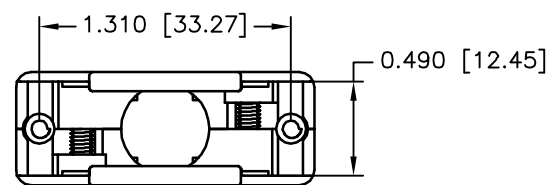
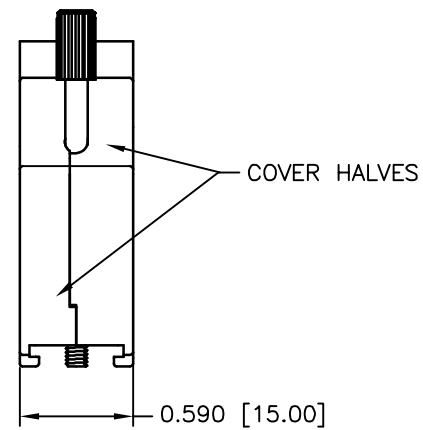
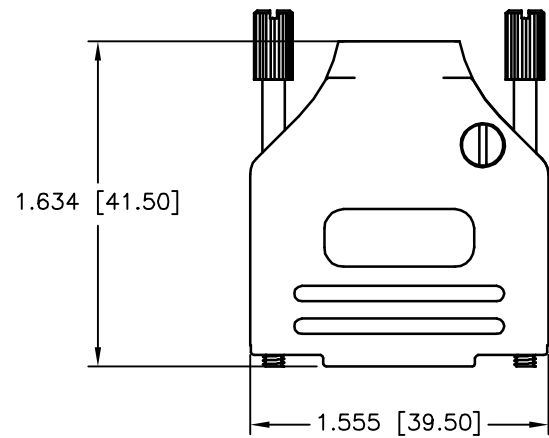


REVISIONS				
ZONE	REV	DESCRIPTION	DATE	APPROVED
	A	ECN 0679	30-OCT-09	
	B	ECN 0684	15-APR-10	



THIS IS A CONTROLLED DOCUMENT AND IS SUBJECT TO CHANGE. CONTACT NORTHERN TECHNOLOGIES ENGINEERING FOR THE LATEST REVISION.

PART NUMBER INFORMATION

PART#	LOGO STYLE	THREAD	SUPPLIED
MHDETZK15K	NO LOGO	4-40 UNC	PACKAGED
MHDETZK15KM25	NO LOGO	M2.5	PACKAGED
MHDETZK15KM26	NO LOGO	M2.6	PACKAGED
MHDETZK15KM3	NO LOGO	M3	PACKAGED

CONNECTOR COVER:

- 1.MATERIAL: ZINC DIE-CAST
- 2.FINISH: NICKEL PLATING
- 3.DIMENSIONS: INCHES [MM]
- 4.TOLERANCE: ±0.015 [0.381]

COMPRESSION INSERT TREE

- 1.MATERIAL: ABS
- 2.COLOR: BLACK
- 3.DUROMETER: 70 - TYPE D
- 4.DIMENSIONS: INCHES [MM]
- 5.TOLERANCE: ±0.015 [0.381]

COMPLIANCE NOTE:

PART MUST BE IN COMPLIANCE TO: DIRECTIVE 2002/95/EC [RoHS]

UNLESS OTHERWISE SPECIFIED 1. ALL DIMENSIONS ARE IN INCHES (MM) 2. DIMENSIONS ARE TYPICAL		<b>Northern Technologies</b> <small>THIS DRAWING IS THE PROPERTY OF NORTHERN TECHNOLOGIES AND SHOULD NOT BE REPRODUCED WITHOUT NORTHERN TECHNOLOGIES WRITTEN PERMISSION.</small>		
DRAWN JSD		PART NUMBER SEE PART NUMBER INFORMATION		
CHECKED SCN		DESCRIPTION CMA 15 STRAIGHT EXIT METAL COVER NICKEL		
ISSUED	14-JUL-06	SIZE B	CODE 200_200	DWG NO. 0002-200-200
		SCALE N.T.S.		REV
				SHEET 1 OF 1