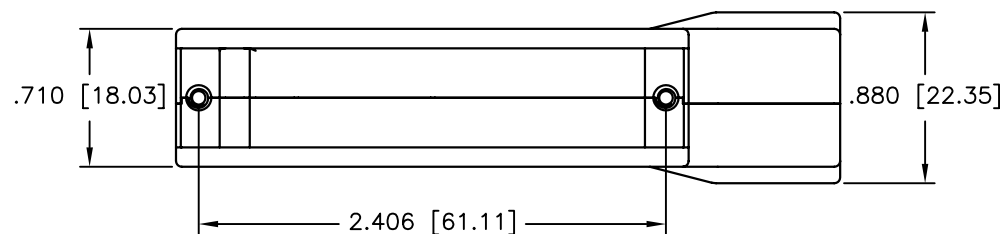
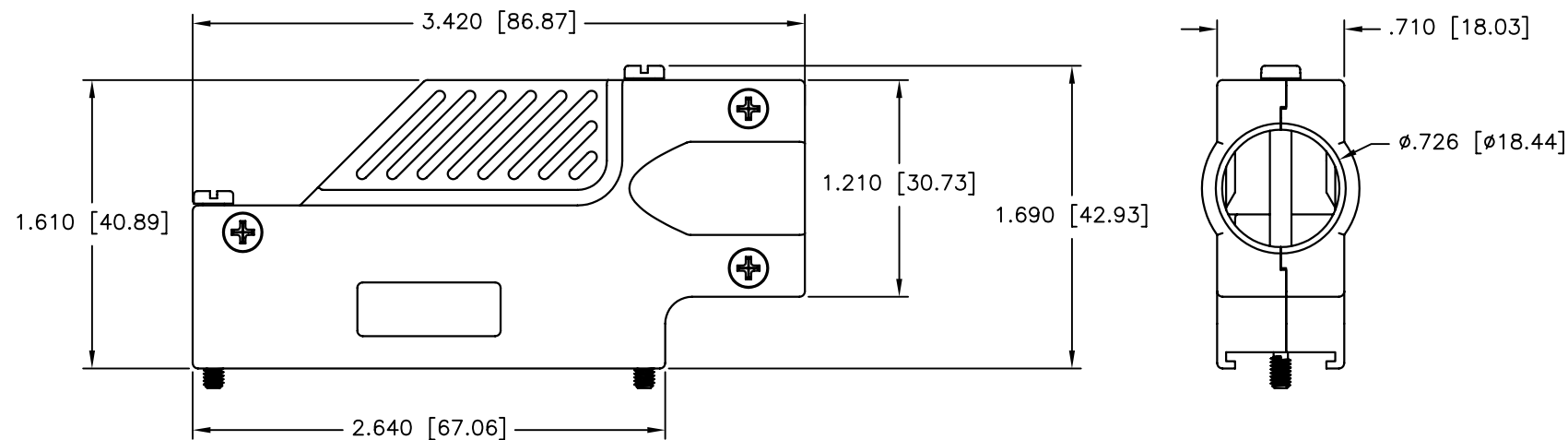


REV	DATE	DESCRIPTION	APP

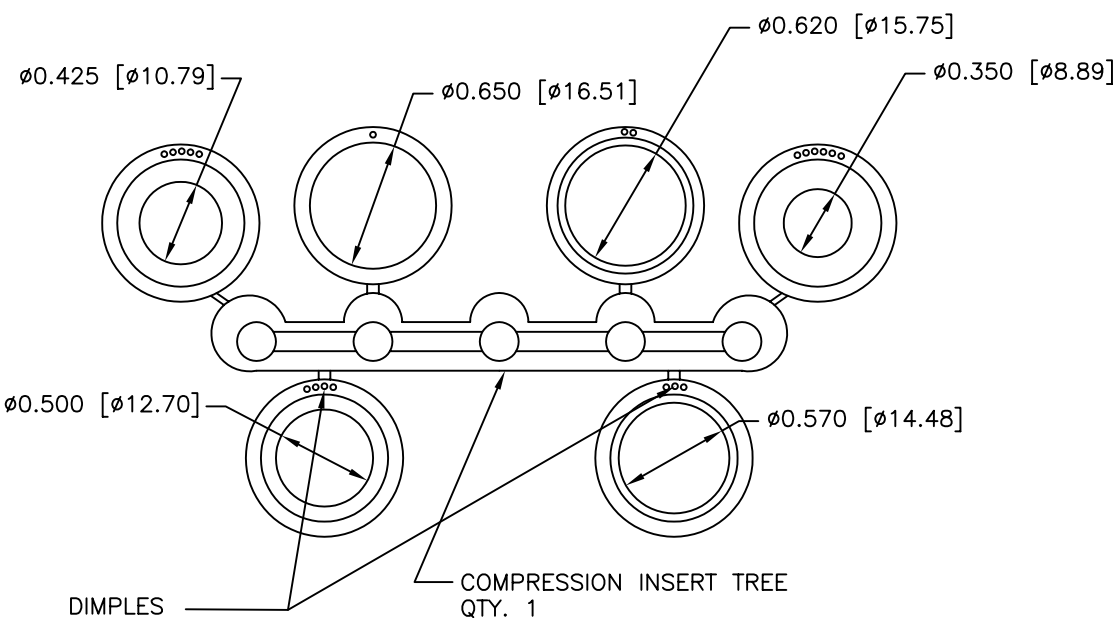



NO LOGO



PART NUMBER INFORMATION

PART#	LOGO STYLE	SUPPLIED
NA30E940000L	NO LOGO TOP COVER	BULK
NA30E940100L	BOTTOM COVER	BULK
N30E940000L	NO LOGO	PACKAGED



 #4-40 X 0.5" PHILLIPS HEAD MACHINE SCREW
 - LOW CARBON STEEL, BRIGHT ZINC
 (HEXAVALENT CHROMIUM FREE)
 QTY: 3 EACH

 #4-40 X 1.80" SLOTTED CAPTIVE SCREW
 - LOW CARBON STEEL, NICKEL PLATED
 QTY: 1 EACH

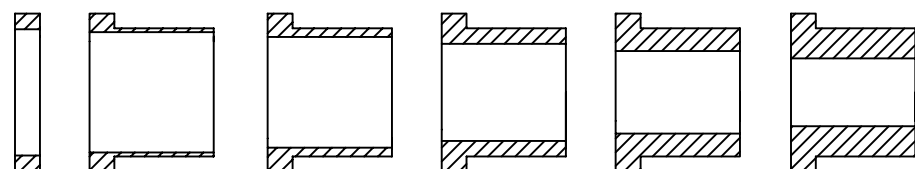
 #4-40 X 1.10" SLOTTED CAPTIVE SCREW
 - LOW CARBON STEEL, NICKEL PLATED
 QTY: 1 EACH

CONNECTOR COVER:

- 1.MATERIAL: ZINC ALLOY
- 2.FINISH: NICKEL PLATING PER NTC SPECIFICATION N/T 000400
- 3.DIMENSIONS: INCHES [MM]
- 4.TOLERANCE: ±0.015 [0.381]

COMPRESSION INSERT TREE

- 1.MATERIAL: THERMOPLASTIC
- 2.COLOR: BLACK
- 3.DUROMETER: 75 ±5 TYPE A PER ASTM D2240
- 4.DIMENSIONS: INCHES [MM]
- 5.TOLERANCE: ±0.020 [0.508]



THIS IS A CONTROLLED DOCUMENT AND IS SUBJECT TO CHANGE. CONTACT NORTHERN TECHNOLOGIES ENGINEERING FOR THE LATEST REVISION.

UNLESS OTHERWISE SPECIFIED	SIGNATURES	DATE	Northern Technologies		
1. ALL DIMENSIONS ARE IN INCHES (MM) 2. DIMENSIONS ARE TYPICAL	DRAWN Luis C.	30-AUG-06	PART NUMBER SEE PART NUMBER INFORMATION DESCRIPTION CM 50 90 DEGREE LOW PROFILE COVER		
	CHECKED JSD	30-AUG-06			
	ISSUED	18-OCT-06	SHEET 1	CODE 200_233	DWG NO. 0002-200-233
	SCALE N.T.S.			SHEET 1 OF 1	

THIS DRAWING IS THE PROPERTY OF NORTHERN TECHNOLOGIES AND SHOULD NOT BE REPRODUCED WITHOUT NORTHERN TECHNOLOGIES WRITTEN PERMISSION.