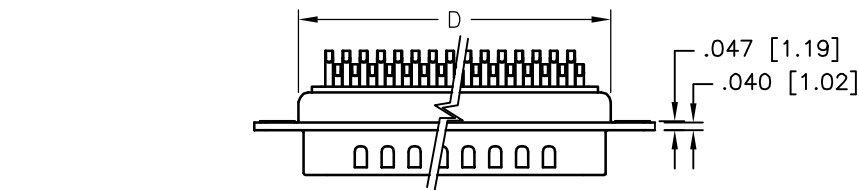
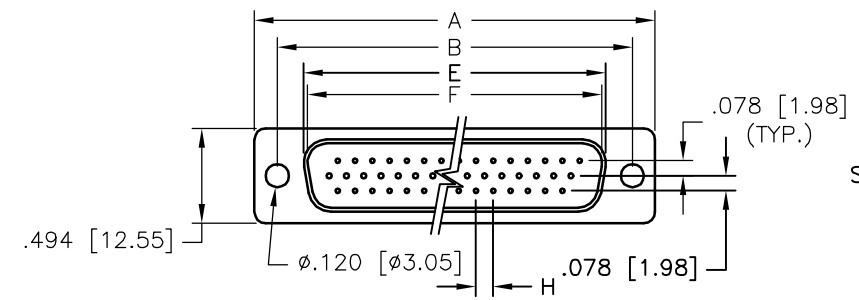


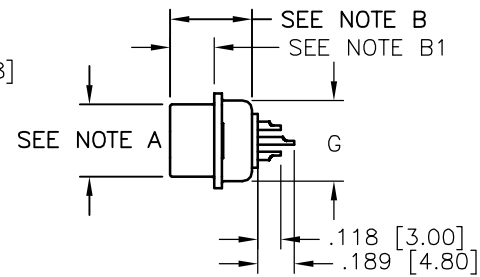
REVISIONS				
ZONE	REV	DESCRIPTION	DATE	APPROVED
	A	ECN 0619	25-AUG-06	
	B	ECN 0649	22-APR-08	
	C	ECN 0677	20-AUG-09	
	D	ECN 0680	27-JAN-10	
	E	ECN 0683	14-APR-10	



NOTE A: 15, 26, 44 & 62 MALE: 0.327 [8.30]
 15, 26, 44 & 62 FEMALE: 0.311 [7.90]
 NOTE B: 15, 26, 44 & 62 MALE: 0.431 [10.95]
 15, 26, 44 & 62 FEMALE: 0.423 [10.75]
 NOTE B1: 15, 26, 44 & 62 MALE: 0.240 [6.10]
 15, 26, 44 & 62 FEMALE: 0.232 [5.90]



15 THROUGH 62 POSITION

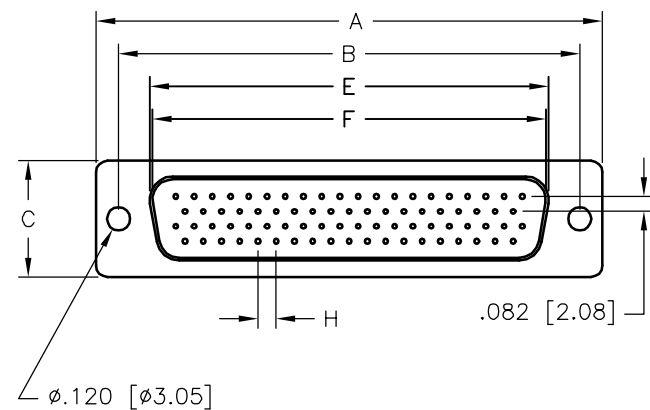
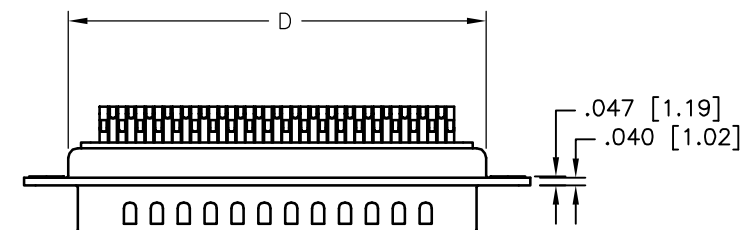


D3 SERIES CONNECTORS		DIMENSIONS INCHES [MM]							
No. of Contacts	Shell Size	A ± 0.010 [± 0.254]	B ± 0.010 [± 0.254]	C ± 0.010 [± 0.254]	D ± 0.010 [± 0.254]	E Max. Female ± 0.010 [± 0.254]	F Min. Male ± 0.010 [± 0.254]	G ± 0.010 [± 0.254]	H ± 0.010 [± 0.254]
15	E(9)	1.213 [30.81]	0.984 [24.99]	0.494 [12.55]	0.759 [19.28]	0.643 [16.33]	0.666 [16.92]	0.422 [10.72]	0.090 [2.29]
26	A(15)	1.541 [39.14]	1.310 [33.27]	0.494 [12.55]	1.089 [27.65]	0.971 [24.66]	0.994 [25.25]	0.422 [10.72]	0.090 [2.29]
44	B(25)	2.088 [53.04]	1.850 [46.99]	0.494 [12.55]	1.626 [41.30]	1.511 [38.38]	1.534 [38.96]	0.422 [10.72]	0.090 [2.29]
62	C(37)	2.730 [69.34]	2.500 [63.50]	0.494 [12.55]	2.261 [57.44]	2.159 [54.84]	2.182 [55.42]	0.422 [10.72]	0.095 [2.41]
78	D(50)	2.638 [67.00]	2.406 [61.11]	0.602 [15.30]	2.178 [55.32]	2.064 [52.43]	2.079 [52.81]	0.527 [13.40]	0.095 [2.41]

NOTES:

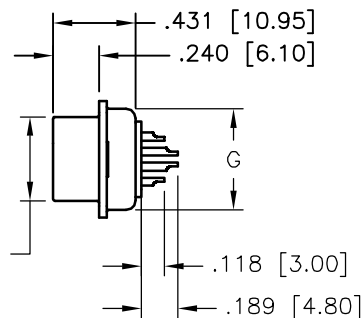
1. SHELL MATERIAL: STEEL
2. SHELL FINISH: SEE ORDER INFORMATION
3. INSULATOR MATERIAL: THERMOPLASTIC UL94V-0
4. INSULATOR COLOR: BLACK
5. CONTACTS: COPPER ALLOY
6. VOLTAGE RATING: 250 VAC
7. CURRENT RATING: 3 AMPS MAX
8. CONTACT RESISTANCE: 15 MILLIOHMS MAX.
9. INSULATION RESISTANCE: 3000 MEGOHMS @ 500 VDC
10. DIELECTRIC WITHSTANDING VOLTAGE: 1000 VAC / 1 MINUTE
11. TEMPERATURE RANGE: -55° TO +105° CENTIGRADE
12. COMPLIANCE NOTE:

PART MUST BE IN COMPLIANCE TO:
 DIRECTIVE 2002/95/EC of 27 January 2003 [RoHS]



78 POSITION

.439 [11.15] MALE
 .429 [10.90] FEMALE



THIS IS A CONTROLLED DOCUMENT AND IS SUBJECT TO CHANGE. CONTACT NORTHERN TECHNOLOGIES ENGINEERING FOR THE LATEST REVISION.

UNLESS OTHERWISE SPECIFIED 1. ALL DIMENSIONS ARE IN INCHES (MM) 2. DIMENSIONS ARE TYPICAL		Northern Technologies THIS DRAWING IS THE PROPERTY OF NORTHERN TECHNOLOGIES AND SHOULD NOT BE REPRODUCED WITHOUT NORTHERN TECHNOLOGIES WRITTEN PERMISSION.		
DRAWN JSD 13-OCT-05		PART NUMBER SEE ORDER INFORMATION		
CHECKED SCN 13-OCT-05		DESCRIPTION D3E SERIES CONNECTORS [RoHS]		
ISSUED 13-OCT-05	SCALE N.T.S.	SIZE B	CODE 200_156	DWG NO. 0002-200-156
				REV
				SHEET 1 OF 2

REVISIONS				
ZONE	REV	DESCRIPTION	DATE	APPROVED
	A	ECN 0619	25-AUG-06	
	B	ECN 0649	22-APR-08	
	C	ECN 0677	20-AUG-09	
	D	ECN 0680	27-JAN-10	
	E	ECN 0683	14-APR-10	

FACTORY DESIGNATOR
LEAVE BLANK

ORDER INFORMATION

() D3 E 44 P TE S XXX C

SERIES _____
RoHS _____
NO. OF CONTACTS _____
P: MALE _____
S: FEMALE _____

TE: TIN PLATED WITH _____
GROUNDING INDENTS
(MALE ONLY)

T: TIN PLATED NO _____
GROUNDING INDENTS
(FEMALE ONLY)

NE: NICKEL PLATED WITH _____
GROUNDING INDENTS
(MALE ONLY)

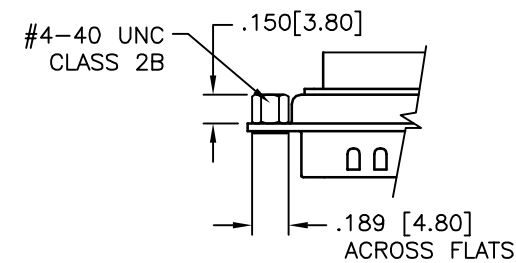
N: NICKEL PLATED NO _____
GROUNDING INDENTS
(FEMALE ONLY)

EMPTY: NO OPTIONS
C: REAR MOUNT CLINCH NUT .150 [3.80]
D: FRONT MOUNT CLINCH NUT 0.150 [3.80]
E: FRONT MOUNT CLINCH NUT 0.228 [5.80]
F: REAR MOUNT CLINCH NUT 0.228 [5.80]

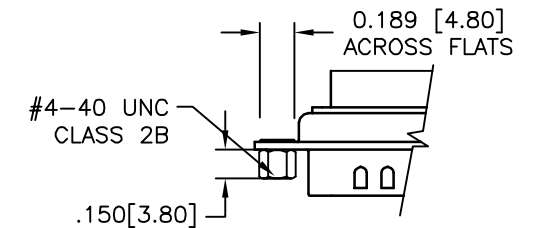
CONTACT FINISH:
EMPTY: GOLD FLASH OVER ENTIRE CONTACT
S5: 5ui SELECTIVE GOLD ON CONTACT AREA ,
100ui TIN ON SOLDER TAILS,
50ui NICKEL UNDERPLATE & ON BALANCE. OF CONTACT
S30: 30ui SELECTIVE GOLD ON CONTACT AREA ,
100ui TIN ON SOLDER TAILS,
50ui NICKEL UNDERPLATE & ON BALANCE. OF CONTACT
CONSULT FACTORY FOR OTHER PLATING OPTIONS

S: STAMPED AND FORMED CONTACTS

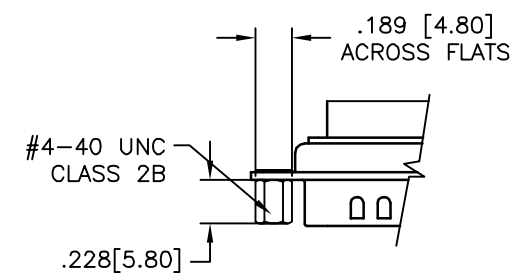
'C' CLINCH NUT OPTION



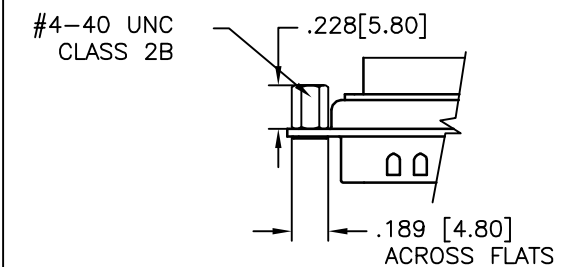
'D' CLINCH NUT OPTION



'E' CLINCH NUT OPTION



'F' CLINCH NUT OPTION



THIS IS A CONTROLLED DOCUMENT AND IS SUBJECT TO CHANGE. CONTACT NORTHERN TECHNOLOGIES ENGINEERING FOR THE LATEST REVISION.

UNLESS OTHERWISE SPECIFIED
1. ALL DIMENSIONS ARE IN INCHES (MM)
2. DIMENSIONS ARE TYPICAL

Northern Technologies

THIS DRAWING IS THE PROPERTY OF NORTHERN TECHNOLOGIES AND SHOULD NOT BE REPRODUCED WITHOUT NORTHERN TECHNOLOGIES WRITTEN PERMISSION.

PART NUMBER SEE ORDER INFORMATION
DESCRIPTION D3E SERIES CONNECTORS [RoHS]

DRAWN JSD	13-OCT-05	SIZE B	CODE 200_156	DWG NO. 0002-200-156	REV
CHECKED SCN	13-OCT-05	SCALE N.T.S.		SHEET 2 OF 2	
ISSUED	13-OCT-05				