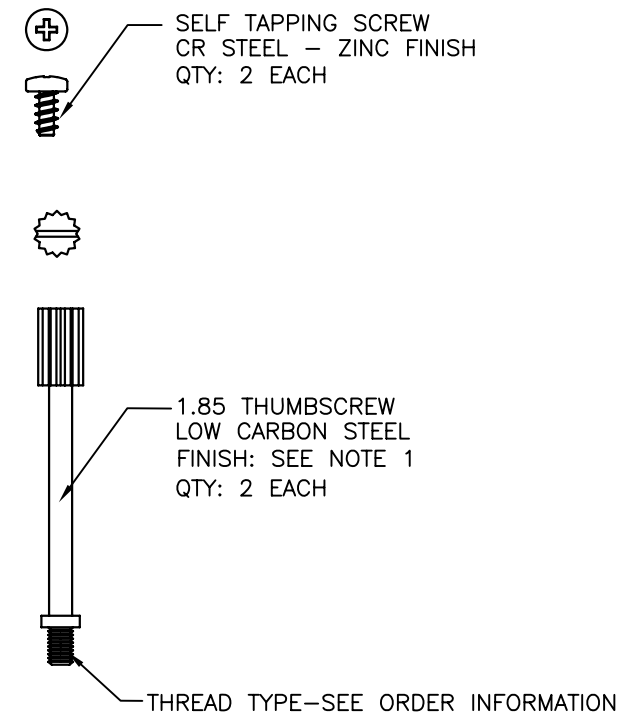
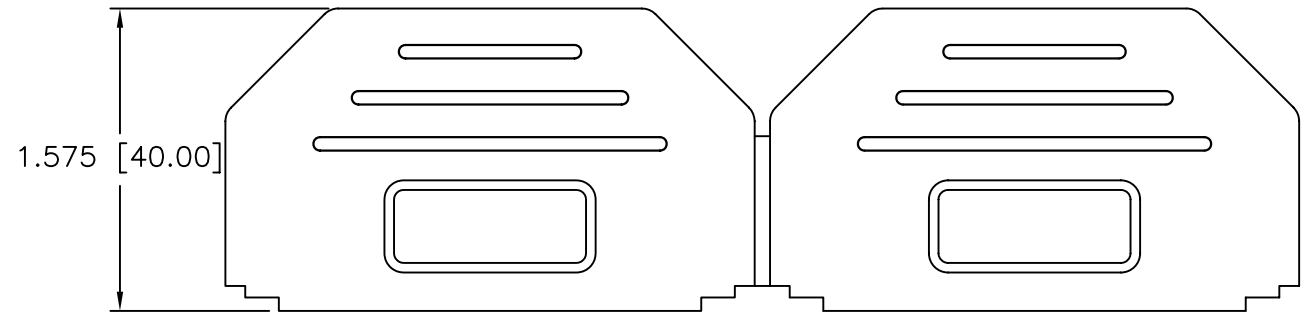
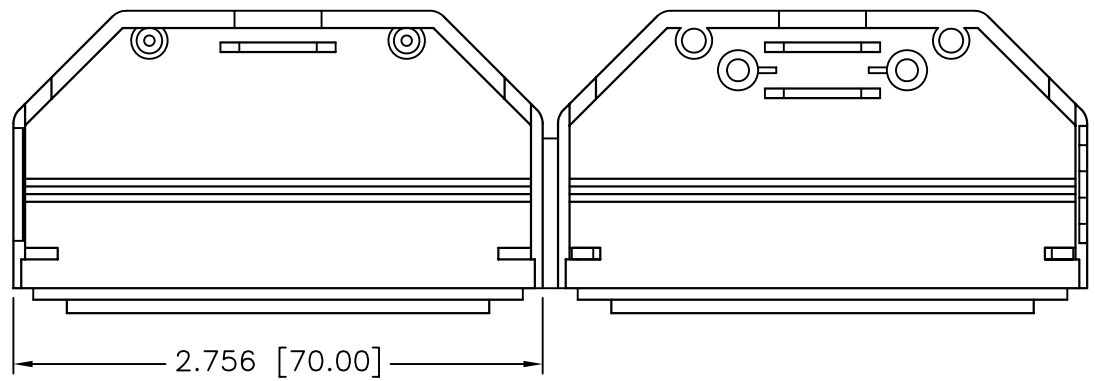


REVISIONS				
ZONE	REV	DESCRIPTION	DATE	APPROVED
	A	ECN 0642	14-JAN-08	
	B	ECN 0652	07-MAY-08	
	C	ECN 0673	09-APR-09	



PART NUMBER INFORMATION

PART#	THUMBSCREW	LOGO STYLE	SUPPLIED
MHDEPPK37BLACK	#4-40	NO LOGO	BULK
MHDEPPK37BLACKK	#4-40	NO LOGO	PACKAGED
MHDEPPK37BLACKKM25	M2.5	NO LOGO	PACKAGED
MHDEPPK37BLACKKM26	M2.6	NO LOGO	PACKAGED
MHDEPPK37BLACKKM3	M3	NO LOGO	PACKAGED

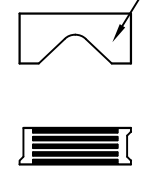
NOTE 1:  
 #4-40 THUMBSCREW FINISH: BLACK  
 M2.5 THUMBSCREW FINISH: CLEAR ZINC  
 M2.6 THUMBSCREW FINISH: CLEAR ZINC  
 M3 THUMBSCREW FINISH: CLEAR ZINC

CONNECTOR COVER:  
 1.MATERIAL: POLYAMID UL94HB  
 2.COLOR: BLACK  
 3.DIMENSIONS: INCHES [MM]  
 4.TOLERANCE: ±0.015 [0.381]

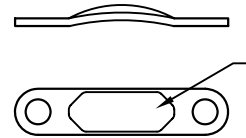
INSERT  
 1.MATERIAL: POLYAMID UL94HB  
 2.COLOR: BLACK  
 3.DIMENSIONS: INCHES [MM]  
 4.TOLERANCE: ±0.015 [0.381]

COMPLIANCE NOTE:  
 PART MUST BE IN COMPLIANCE TO:  
 DIRECTIVE 2002/95/EC [RoHS]

15/25/37C INSERT  
 POLYPROPYLENE - BLACK  
 QTY: 1 EACH



15/25/37C CLAMP  
 CR STEEL - ZINC FINISH  
 QTY: 1 EACH



THIS IS A CONTROLLED DOCUMENT AND IS SUBJECT TO CHANGE. CONTACT NORTHERN TECHNOLOGIES ENGINEERING FOR THE LATEST REVISION.

UNLESS OTHERWISE SPECIFIED 1. ALL DIMENSIONS ARE IN INCHES (MM) 2. DIMENSIONS ARE TYPICAL		<b>Northern Technologies</b> <small>THIS DRAWING IS THE PROPERTY OF NORTHERN TECHNOLOGIES AND SHOULD NOT BE REPRODUCED WITHOUT NORTHERN TECHNOLOGIES WRITTEN PERMISSION.</small>		
DRAWN JSD 04-MAY-05		PART NUMBER SEE PART NUMBER INFORMATION		
CHECKED SCN 04-MAY-05		DESCRIPTION CP 37 ONE PIECE PLASTIC W/ THUMBSCREWS		
ISSUED 04-MAY-05		SIZE B	CODE 200_150	DWG NO. 0002-200-150
		SCALE 1:1	SHEET 1 OF 1	