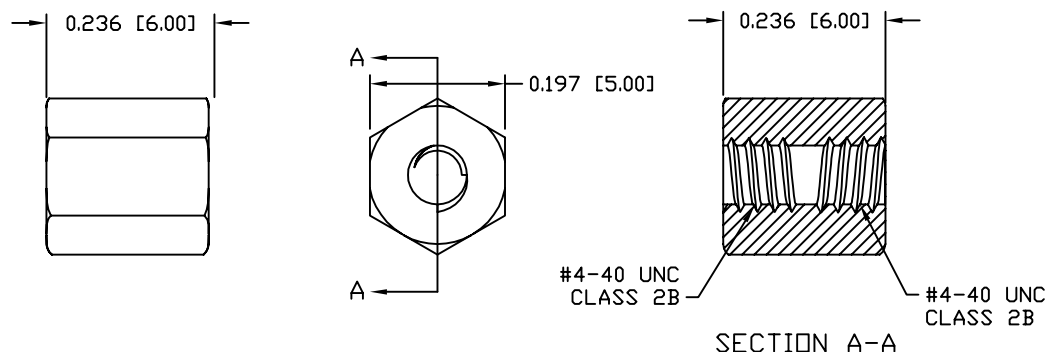


REV	DATE	DESCRIPTION	APP

HEX EXTENDER

QTY: 2 EACH



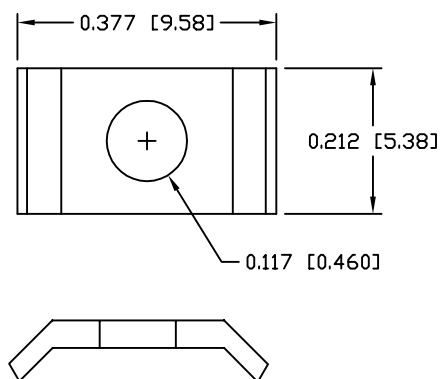
**HOLD**

HEX EXTENDER

1. MATERIAL: BRASS
2. FINISH: NICKEL PLATE
3. DIMENSIONS: INCHES [MM]
4. TOLERANCE: ±0.005 [0.127] UNLESS OTHERWISE STATED

SADDLE WASHER

QTY: 2 EACH

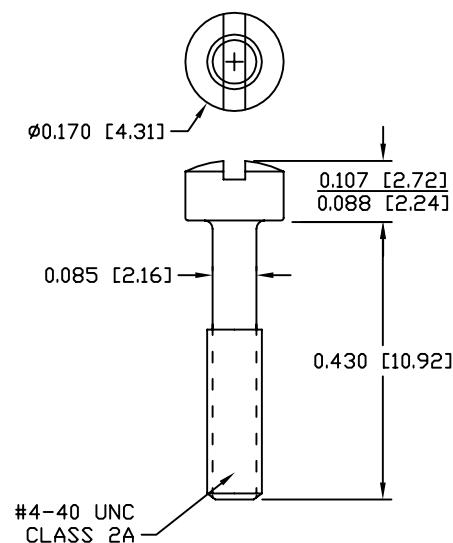


SADDLE WASHER

1. MATERIAL: C1008 - C1010 STEEL
2. FINISH: CLEAR ZINC (HEXAVALENT CHROMIUM FREE)
3. DIMENSIONS: INCHES [MM]
4. TOLERANCE: ±0.010 [0.254] UNLESS OTHERWISE STATED

CAPTIVE SCREW

QTY: 2 EACH



CAPTIVE SCREW

1. MATERIAL: 12L14 FREE-MACHINING STEEL
2. FINISH: CLEAR ZINC (HEXAVALENT CHROMIUM FREE)
3. DIMENSIONS: INCHES [MM]
4. TOLERANCE: ±0.010 [0.254] UNLESS OTHERWISE STATED

THIS IS A CONTROLLED DOCUMENT AND IS SUBJECT TO CHANGE. CONTACT NORTHERN TECHNOLOGIES ENGINEERING FOR THE LATEST REVISION.

UNLESS OTHERWISE SPECIFIED	SIGNATURES	DATE	Northern Technologies		THIS DRAWING IS THE PROPERTY OF NORTHERN TECHNOLOGIES AND SHOULD NOT BE REPRODUCED WITHOUT NORTHERN TECHNOLOGIES WRITTEN PERMISSION.
1. DIMENSIONS IN INCHES [MM] 2. TOLERANCE UNLESS OTHERWISE SPECIFIED .XXX ± .005 [0.127] .XX ± .02 [0.508] .X ± .03 [0.762] FRACT. ± 1/32 ANGULAR ± 1/2°	DRAWN JSD	28-JUL-06	PART NUMBER C89E014050		
	CHECKED SCN	28-JUL-06	DESCRIPTION #4-40 HEX EXTENDER KIT RoHS		
	ENG		SHEET 1	CODE 520_208	DWG NO. 0002-520-208
	ISSUED	28-JUL-06	SCALE N.T.S.		SHEET 1 OF 1