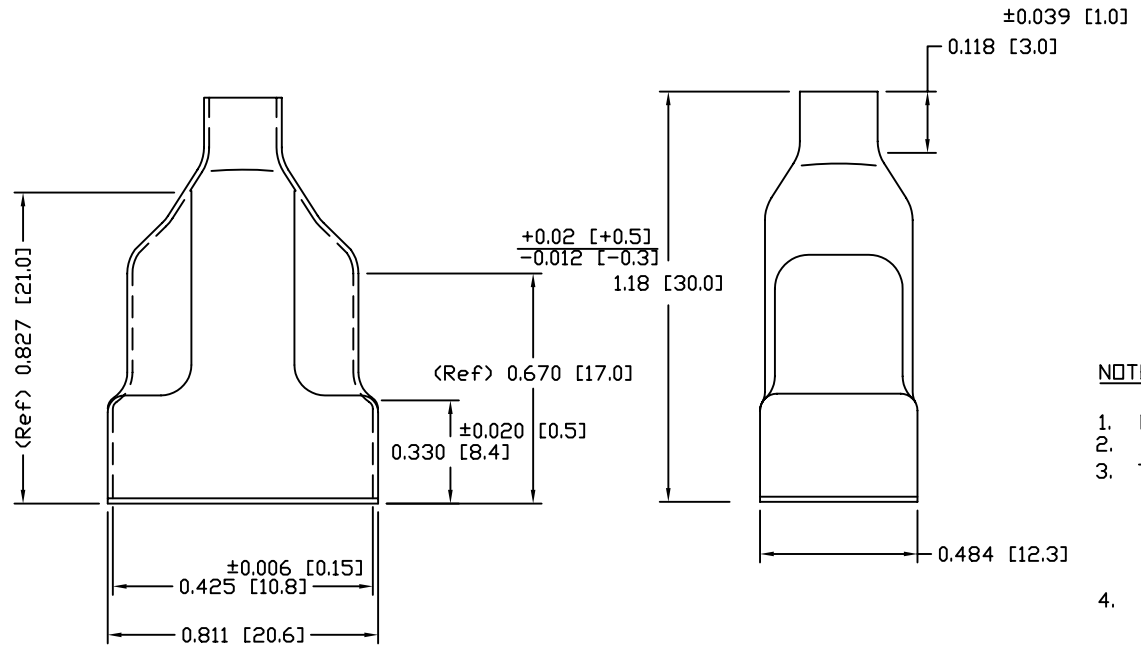
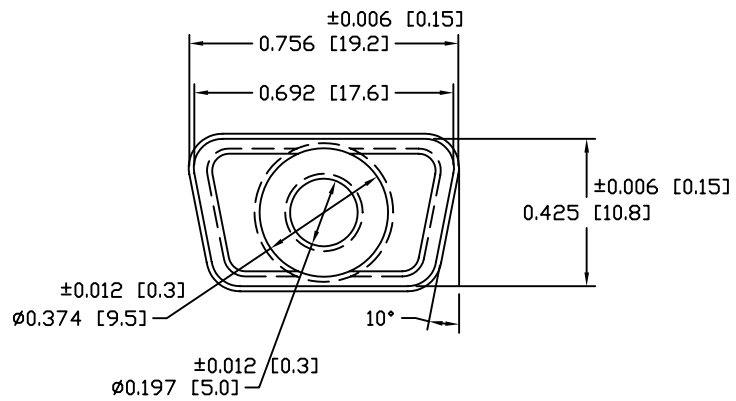


REV	DATE	DESCRIPTION	APP



NOTES:

- MATERIAL: COLD ROLLED STEEL
- PLATING: 60µi TIN OVER 20µi COPPER
- TOLERANCE UNLESS OTHERWISE SPECIFIED
 DECIMAL
 .X ±0.020 [±0.5]
 .XX ±0.012 [±0.30]
 .XXX ±0.006 [±0.15]
- COMPLIANCE NOTE:
 PART MUST BE IN COMPLIANCE TO:
 DIRECTIVE 2002/95/EC of 27 January 2003 [RoHS]

THIS IS A CONTROLLED DOCUMENT AND IS SUBJECT TO CHANGE. CONTACT NORTHERN TECHNOLOGIES ENGINEERING FOR THE LATEST REVISION.

UNLESS OTHERWISE SPECIFIED	SIGNATURES		DATE	Northern Technologies		THIS DRAWING IS THE PROPERTY OF NORTHERN TECHNOLOGIES AND SHOULD NOT BE REPRODUCED WITHOUT NORTHERN TECHNOLOGIES WRITTEN PERMISSION.	
1. ALL DIMENSIONS ARE IN INCHES (MM) 2. DIMENSIONS ARE TYPICAL	DRAWN	JSD	30-SEP-05	PART NUMBER		W9PEM3	
	CHECKED	SCN	30-SEP-05	DESCRIPTION		9C D/M CAN 5.0MM EXIT [RoHS]	
	ENG			SHEET	CODE	DWG NO.	
	ISSUED		30-SEP-05	1	7100_118		7100-500-118
				SCALE	N.T.S.		SHEET 1 OF 1