


PP-H 2,5/1-M BU

Order No.: 3210101

Image shows the version in gray

<http://catalog.phoenixcontact.net/phoenix/treeViewClick.do?UID=3210101>

Plug, Connection method: Push-in connection, Number of positions: 1,
Cross section: 0.14 mm² - 4 mm², AWG: 26 - 12, Width: 5.2 mm,
Height: 39 mm, Color: blue

| Commercial data | |
|--------------------------|--|
| EAN |  4 046356 333511 |
| sales group | A671 |
| Pack | 50 Pcs. |
| Customs tariff | 85366990 |
| Gross weight in pieces | 0.00361 KG |
| Net weight per piece | 0.00361 KG |
| Catalog page information | Page 415 (C-3-2013) |

Product notes

WEEE/RoHS-compliant since:
12/05/2007



<http://www.download.phoenixcontact.com>
Please note that the data given here has been taken from the online catalog. For comprehensive information and data, please refer to the user documentation. The General Terms and Conditions of Use apply to Internet downloads.

Product description

Connector element center, left housing with engagement pin, right opened without cover

Technical data

General

| | |
|-----------------------|---|
| Number of levels | 1 |
| Number of connections | 1 |

| | |
|---|------------------------|
| Color | blue |
| Insulating material | PA |
| Inflammability class according to UL 94 | V0 |
| Area of application | Railway industry |
| | Mechanical engineering |
| | Plant engineering |

General

| | |
|--|---|
| Maximum load current | 24 A (with 2.5 mm ² conductor cross section) |
| Rated surge voltage | 6 kV |
| Pollution degree | 3 |
| Surge voltage category | III |
| Insulating material group | I |
| Connection in acc. with standard | IEC 61984 |
| Maximum load current (lower level) | 24 A |
| Additional text | with 4 mm ² conductor cross section |
| Nominal current I _N (lower level) | 24 A |
| Nominal voltage U _N | 500 V |
| Open side panel | nein |
| Number of positions | 1 |

Dimensions

| | |
|--------|---------|
| Width | 5.2 mm |
| Length | 15.8 mm |
| Height | 39 mm |

Connection data

| | |
|--|----------------------|
| Connection in acc. with standard | IEC 61984 |
| Connection method | Push-in connection |
| Conductor cross section solid min. | 0.14 mm ² |
| Conductor cross section solid max. | 4 mm ² |
| Conductor cross section AWG/kcmil min. | 26 |
| Conductor cross section AWG/kcmil max | 12 |
| Conductor cross section stranded min. | 0.14 mm ² |
| Conductor cross section stranded max. | 2.5 mm ² |
| Min. AWG conductor cross section, stranded | 26 |
| Max. AWG conductor cross section, stranded | 14 |

| | |
|---|----------------------|
| Conductor cross section stranded, with ferrule without plastic sleeve min. | 0.14 mm ² |
| Conductor cross section stranded, with ferrule without plastic sleeve max. | 2.5 mm ² |
| Conductor cross section stranded, with ferrule with plastic sleeve min. | 0.14 mm ² |
| Conductor cross section stranded, with ferrule with plastic sleeve max. | 2.5 mm ² |
| 2 conductors with same cross section, stranded, TWIN ferrules with plastic sleeve, max. | 0.5 mm ² |
| Stripping length | 10 mm |
| Internal cylindrical gage | A3 |

Certificates / Approvals



Certification

CSA, cULus Recognized, ABS, BV, GL, RS

Certifications applied for:

Certification Ex:

Accessories

| Item | Designation | Description |
|--------------------------|-------------|--|
| Assembly | | |
| 3040559 | PR | Latching, Number of positions: 1, Color: orange |
| 3040630 | PR/2 | Latching, Number of positions: 2, Color: orange |
| 3040614 | PRZ | Latching, Length: 3 mm, Width: 5.2 mm, Number of positions: 2, Color: orange |
| 3040591 | PSH 3- 6 | Shield connection clamp, Color: black |
| 3040601 | PSH 5-10 | Shield connection clamp, Color: black |
| 3040627 | PZ/2 | Strain relief, Number of positions: 2, Color: black |
| 3040643 | PZ/4 | Strain relief, Number of positions: 4, Color: black |
| Connector/Adapter | | |
| 3002843 | ISH 2,5/0,2 | Insulating sleeve, Color: white |

| | | |
|---------|-------------|----------------------------------|
| 3002856 | ISH 2,5/0,5 | Insulating sleeve, Color: gray |
| 3002869 | ISH 2,5/1,0 | Insulating sleeve, Color: black |
| 0201731 | MPS-IH BK | Insulating sleeve, Color: black |
| 0201689 | MPS-IH BU | Insulating sleeve, Color: blue |
| 0201702 | MPS-IH GN | Insulating sleeve, Color: green |
| 0201728 | MPS-IH GY | Insulating sleeve, Color: gray |
| 0201676 | MPS-IH RD | Insulating sleeve, Color: red |
| 0201663 | MPS-IH WH | Insulating sleeve, Color: white |
| 0201692 | MPS-IH YE | Insulating sleeve, Color: yellow |
| 0201744 | MPS-MT | Test plugs, Color: silver |

Covers

| | | |
|---------|--------------|--|
| 3209824 | DF-SP-H 2,5 | Flange cover, Length: 35.8 mm, Width: 4.5 mm, Height: 24.7 mm, Color: gray |
| 3061431 | DFS-SP-H 2,5 | Flange cover, Length: 35.8 mm, Width: 4.5 mm, Height: 24.7 mm, Color: gray |

General

| | | |
|---------|-----------|---|
| 3209691 | PH 2,5/ 2 | Cable housing, Length: 19.9 mm, Width: 10.4 mm, Height: 36.8 mm, Number of positions: 2, Color: gray |
| 3209714 | PH 2,5/ 4 | Cable housing, Length: 19.9 mm, Width: 20.8 mm, Height: 36.8 mm, Number of positions: 4, Color: gray |
| 3209727 | PH 2,5/ 5 | Cable housing, Length: 19.9 mm, Width: 26 mm, Height: 36.8 mm, Number of positions: 5, Color: gray |
| 3209730 | PH 2,5/ 6 | Cable housing, Length: 19.9 mm, Width: 31.2 mm, Height: 36.8 mm, Number of positions: 6, Color: gray |
| 3209756 | PH 2,5/ 8 | Cable housing, Length: 19.9 mm, Width: 41.6 mm, Height: 36.8 mm, Number of positions: 8, Color: gray |
| 3209507 | PH 2,5/ 9 | Cable housing, Length: 19.9 mm, Width: 46.8 mm, Height: 36.8 mm, Number of positions: 9, Color: gray |
| 3209769 | PH 2,5/10 | Cable housing, Length: 19.9 mm, Width: 52 mm, Height: 36.8 mm, Number of positions: 10, Color: gray |
| 3209772 | PH 2,5/11 | Cable housing, Length: 19.9 mm, Width: 57.2 mm, Height: 36.8 mm, Number of positions: 11, Color: gray |
| 3209785 | PH 2,5/12 | Cable housing, Length: 19.9 mm, Width: 62.4 mm, Height: 36.8 mm, Number of positions: 12, Color: gray |
| 3209798 | PH 2,5/13 | Cable housing, Length: 19.9 mm, Width: 67.6 mm, Height: 36.8 mm, Number of positions: 13, Color: gray |
| 3209808 | PH 2,5/14 | Cable housing, Length: 19.9 mm, Width: 72.8 mm, Height: 36.8 mm, Number of positions: 14, Color: gray |
| 3209811 | PH 2,5/15 | Cable housing, Length: 19.9 mm, Width: 78 mm, Height: 36.8 mm, Number of positions: 15, Color: gray |

| | | |
|---------|-------|---|
| 3040631 | PRT/2 | Latching, can only be released using a screwdriver, Number of positions: 2, Color: orange |
|---------|-------|---|

Sleeve housing

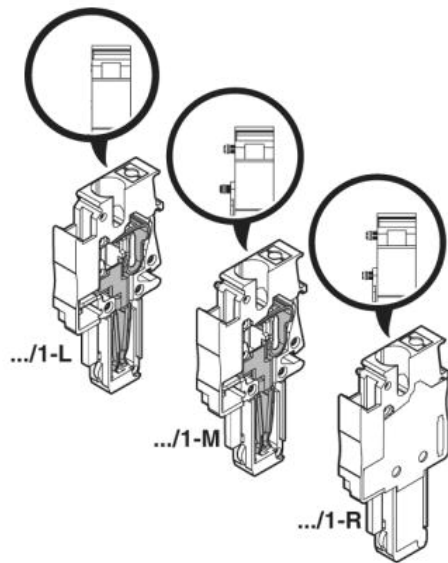
| | | |
|---------|-----------|--|
| 3209701 | PH 2,5/ 3 | Cable housing, Length: 19.9 mm, Width: 15.6 mm, Height: 36.8 mm, Number of positions: 3, Color: gray |
| 3209743 | PH 2,5/ 7 | Cable housing, Length: 19.9 mm, Width: 36.4 mm, Height: 36.8 mm, Number of positions: 7, Color: gray |

Drawings

Circuit diagram



Schematic diagram



Address

PHOENIX CONTACT Deutschland GmbH
Flachmarktstr. 8
32825 Blomberg, Germany
Phone +49 5235 3 12000
Fax +49 5235 3 41200
<http://www.phoenixcontact.com>



© 2014 Phoenix Contact
Technical modifications reserved;